

TECHNICAL DATA SHEET

VERSATWIN

Tissue Dispenser

WITH INFINITY[®]
SYSTEM



Product Code: R3600TBL
R3600TBK
R3600WHCL

- Universal Dispenser to eliminate stub roll waste
- Compact slimmer appearance
- Transparent cover to view paper levels
- New and improved brake design, angled cover, integrated hinges posts
- Business card insert for re-orders

Installation: Wall mounted

Closure: With lock

Colour: Arctic Blue (R3600TBL)
Transparent Black (R3600TBK)

Dimensions:

8.25”h x 12.75”w x 5.75”d

Capacity:

(2) 4½”-5½” diameter rolls

Core Diameter:

1.50”

Unit Weight: 1.7 lbs

Boxed Weight: 2.19 lbs

Units/Case: 6

Case Weight: 14.7 lbs

Materials:

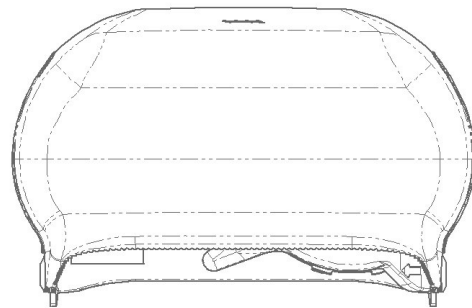
Base/Door - HIPs

Cover - ABS

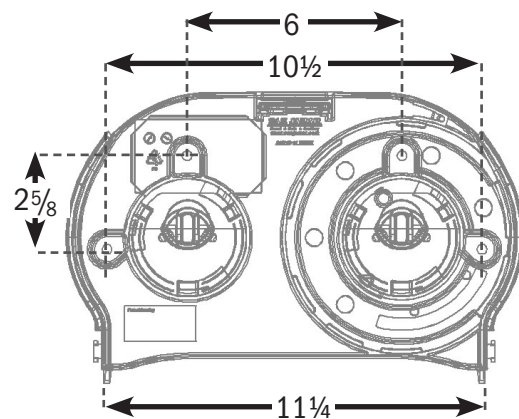
Standard Product Code: R3600TBL
R3600TBK
R3600WHCL

FRONT (in)

12¾

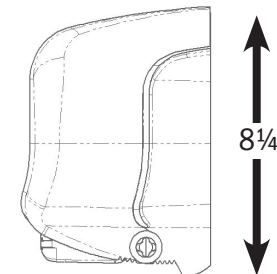


BACK (in)



SIDE (in)

5¾



See page 2
for inches

SAN JAMAR
555 Koopman Lane
Elkhorn, Wisconsin 53121 USA
T: (262) 723-6133
F: (262) 723-4204
Customer Care: (800) 248-9826
E-Mail: Sanjamar@sanjamar.com
www.sanjamar.com

SAN JAMAR EUROPE, INC
Schoorstraat 26A, Bus 1
B-2220 Heist-Op-Den-Berg
BELGIUM
T: +32(0)1522 8140
F: +32(0)1522 8148
E-Mail: Sjeurope@sanjamar.com

SAN JAMAR Mexico, S de RL de CV
Prolongación Av. San Antonio
No. 135 col. San Pedro de los Pinos
Delagación Alvaro Obregón
C.P. 01180 en México, DF MEXICO
T: +52 (55) 3626 0772
F: +52 (55) 5273 4495
E-Mail: sjmexico@sanjamar.com

SAN JAMAR
Smart ♦ Safe ♦ Sanitary

TECHNICAL DATA SHEET

VERSATWIN[®]

Tissue Dispenser

WITH INFINITY[®]
SYSTEM



Product Code: R3600TBL
R3600TBK
R3600WHCL

- Universal Dispenser to eliminate stub roll waste
- Compact slimmer appearance
- Transparent cover to view paper levels
- New and improved brake design, angled cover, integrated hinges posts
- Business card insert for re-orders

Installation: Wall mounted

Closure: With lock

Colour: Arctic Blue (R3600TBL)
Transparent Black (R3600TBK)

Dimensions:

210h x 324w x 146d mm

Capacity:

(2) 114 mm x 140 diameter rolls

Core Diameter:

38 mm

Unit Weight: .8 kgs

Boxed Weight: 1 kgs

Units/Case: 6

Case Weight: 6.7 kgs

Materials:

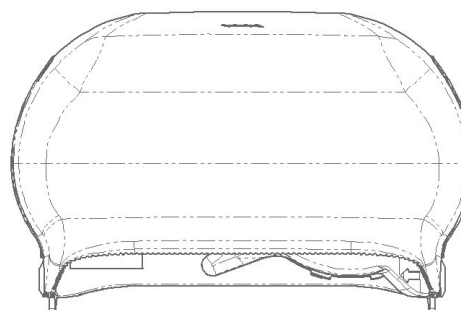
Base/Door - HIPs

Cover - ABS

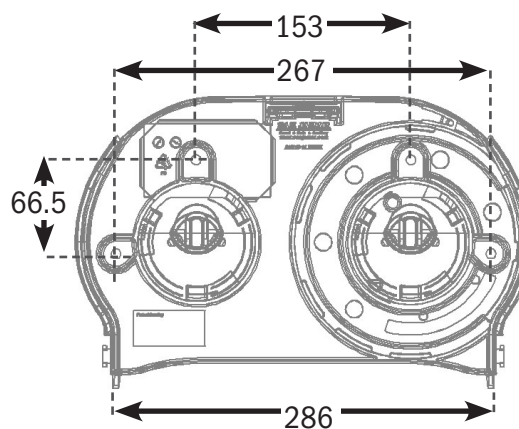
Standard Product Code: R3600TBL
R3600TBK
R3600WHCL

FRONT (mm)

324

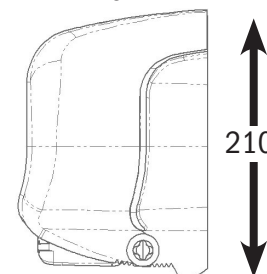


BACK (mm)



SIDE (mm)

146



See page 1
for inches

SAN JAMAR
555 Koopman Lane
Elkhorn, Wisconsin 53121 USA
T: (262) 723-6133
F: (262) 723-4204
Customer Care: (800) 248-9826
E-Mail: Sanjamar@sanjamar.com
www.sanjamar.com

SAN JAMAR EUROPE, INC
Schoorstraat 26A, Bus 1
B-2220 Heist-Op-Den-Berg
BELGIUM
T: +32(0)1522 8140
F: +32(0)1522 8148
E-Mail: Sjeurope@sanjamar.com

SAN JAMAR Mexico, S de RL de CV
Prolongación Av. San Antonio
No. 135 col. San Pedro de los Pinos
Delagación Alvaro Obregón
C.P. 01180 en México, DF MEXICO
T: +52 (55) 3626 0772
F: +52 (55) 5273 4495
E-Mail: sjmexico@sanjamar.com

SAN JAMAR[®]

Smart ♦ Safe ♦ Sanitary