



Technical Data

SURFACE-MOUNTED AUTOMATIC HAND DRYER


B-710

Model B-710 115-Volt CompacDryer™
115V AC, 15 Amp, 1725 Watts, 60 Hz, Single Phase, cULus Listed

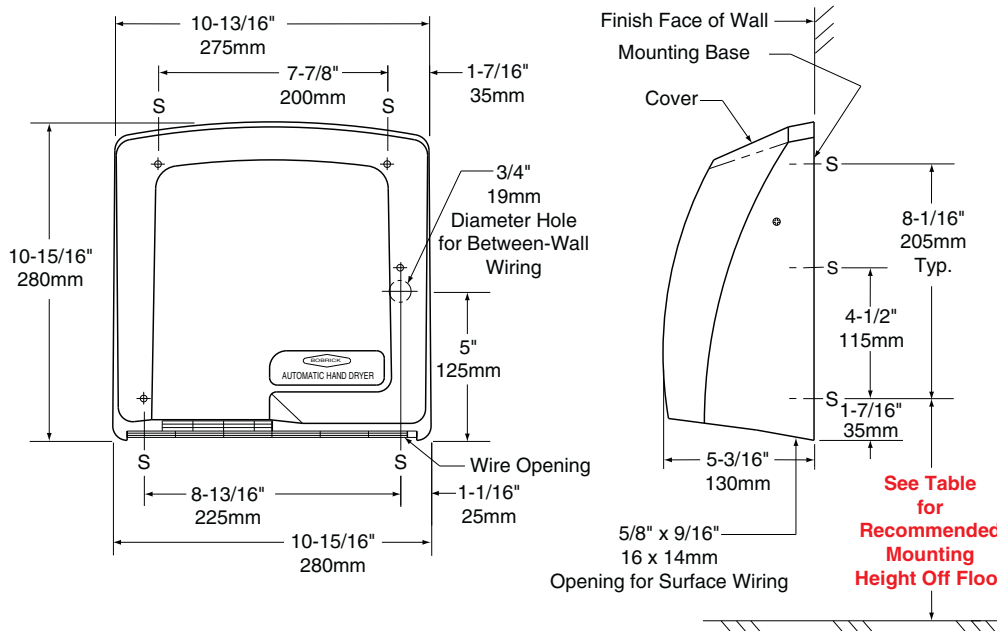
Designer's Note: Model B-710 CompacDryer™ is not designed for vandal-prone installations. For vandal-prone installations, use Bobrick AirCraft® Dryers with cast-iron, vitreous enamel finished covers.



*RECOMMENDED MOUNTING HEIGHTS

Children's Washrooms, ages 3-4	36" (915mm)
Children's Washrooms, ages 5-8	40" (1015mm)
Children's Washrooms, ages 9-12	44" (1120mm)
 Universal Design	48" (1219mm)

*Bottom screw hole of mounting base to finish face of floor



MATERIALS:

Cover — One-piece, 3/32" (2.6mm) thick fire-retardant, molded, high-quality, high-impact, pale grey (Bobrick color #889) ABS plastic, 5-V rated. Cover is secured to mounting base with three flat-head stainless steel screws.

Mounting Base and Fan Housing — 5/64" (2.0mm) thick fire-retardant molded grey plastic with high-gloss finish. Air-inlet grille fits into bottom of mounting base. Air-outlet grille is secured between fan housing and mounting base.

Motor — 115V AC, 90 W, 60 Hz, 2500 rpm. Brushless, external rotor motor. Sealed ball bearings at both ends of drive shaft; maintenance free. Equipped with an automatic thermal-overload switch.

Fan — Dynamically balanced 5-15/64" (133mm) diameter centrifugal fan with multiple metallic vanes. Directs air flow from heating element at 90 cfm, mixes air to provide uniform temperature.

Heating Element — Coiled nickel-chrome heating element is protected by an automatic thermal-overload switch. Heating element, which is located on inlet side of fan, heats air without hot spots — inaccessible to vandals.

Electronic Control — Infrared sensor automatically turns dryer on when hands are held under air-outlet opening and across path of sensor. Remove hands from path of sensor and dryer stops. Electronic sensor has automatic shutoff approximately two minutes after dryer turns on if an inanimate object, such as tape or chewing gum, is placed across sensor lens. After inanimate object is removed, electronic sensor automatically resets itself and dryer operates normally.

continued . . .

OPERATION:

No-touch operation. Electronic sensor automatically turns dryer on when hands are held under air-outlet opening and across path of sensor. Remove hands from path of sensor and dryer stops. Dryer will not stop by itself before user is satisfied hands are dry. Dryer operates only when actually drying hands, which saves energy and operating costs. Electronic sensor will automatically shut dryer off two minutes after dryer turns on if an inanimate object is placed across sensor lens. After inanimate object is removed, electronic sensor automatically resets itself and dryer operates normally.

1-Year Limited Warranty — This warranty is limited to the repair or exchange of defective parts at the option of Bobrick. See Installation Instruction Sheet, Form No. 710-69, for full details.

INSTALLATION:

Wall Preparation: Secure mounting base on wall using template provided. For masonry walls, provide four #10 expansion shields or anchors and secure with four #10 (M4.8) sheet-metal screws (not furnished). For plaster or dry wall construction, provide concealed backing to comply with local building codes, then secure unit with four #10 (M4.8) round-head sheet-metal screws or 3/16" (5mm) toggle bolts (not furnished). Provide electrical service from nearest distribution panel to dryer mounting base in compliance with local electrical codes.

Wiring Instructions:

Connect ground wire to ground terminal marked $\frac{—}{—}$, the black or *hot* wire to terminal marked *LI*, and neutral or white wire to terminal marked *N*. **A DEDICATED LINE IS REQUIRED FOR EACH 115-VOLT INSTALLATION.**

Notes: Electronic sensor in CompacDryer will pick up movement within 4" (100mm) of air-outlet nozzle. Use caution when choosing location for CompacDryer in confined areas. Consider proximity to doorways and other traffic areas.

Bobrick automatic hand dryers should be installed 15" (380mm) above any projection or horizontal surface which may interfere with the operation of the automatic sensor.

For installation instructions that include step-by-step installation procedures and details of electrical service connections, see Form No. 710-69, which is packed with each shipment. This form is also available in advance upon request.

SPECIFICATION:

Surface-mounted hand dryer shall have a one-piece, fire-retardant molded, Bobrick grey color #889. Mounting base and fan housing shall be fire-retardant molded grey plastic with high-gloss finish. Brushless motor shall be 90 watts, external rotor type with sealed ball bearings on ends of drive shaft and be equipped with an automatic thermal-overload switch. Centrifugal fan shall have multiple metallic vanes. Heating element shall be located on inlet side of fan, shall heat without hot spots, be inaccessible to vandals, and protected by an automatic thermal-overload switch. Electronic sensor shall automatically turn dryer on when hands are held under air-outlet opening and across path of sensor. Dryer shall turn off automatically when hands are removed. Sensor shall automatically shut dryer off approximately two minutes after dryer turns on if an inanimate object is placed across sensor lens. After inanimate object is removed, electronic sensor shall automatically reset itself and dryer shall operate normally. Unit shall be cULus listed. Unit shall comply with EU Directive "Restriction of Hazardous Substance" (ROHS) requirements for non-use of certain hazardous substances in the production of electronic products. Unit shall be protected by a limited 1-year warranty on all parts.

Surface-Mounted Automatic Hand Dryer shall be Model B-710 115V of Bobrick Washroom Equipment, Inc., Clifton Park, New York; Jackson, Tennessee; Los Angeles, California; and Bobrick Washroom Equipment Company, Scarborough, Ontario; Bobrick Washroom Equipment Pty. Ltd., Australia; and Bobrick Washroom Equipment Limited, United Kingdom.



Technical Data

**SURFACE-MOUNTED
AUTOMATIC
HAND DRYER**


B-710E

Model B-710E 230-Volt CompacDryer™

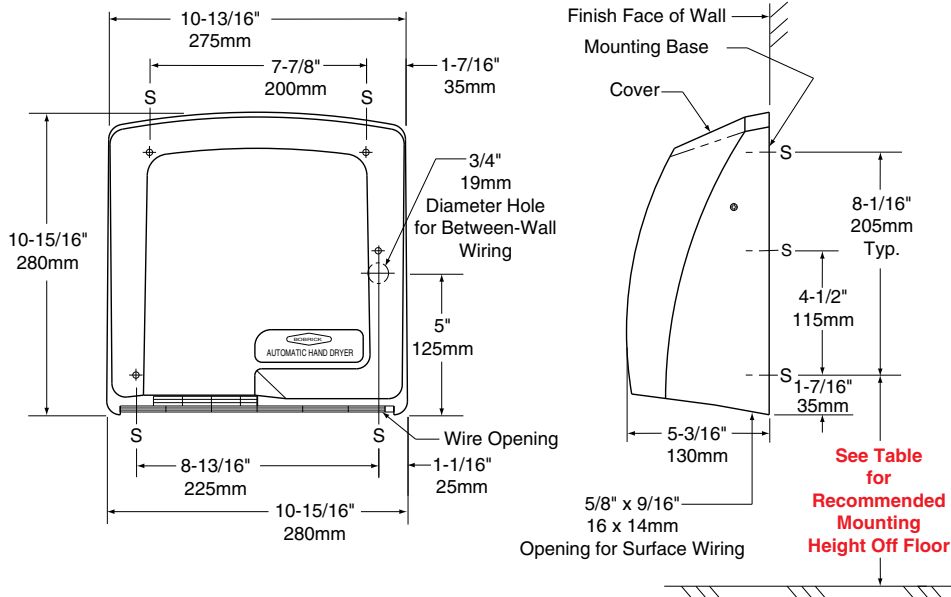
**Electrical Characteristics: 220 - 240V AC, 7 Amp, 1500 - 1700 Watts,
50/60 Hz, Single Phase, VDE Approved, CE marked.**



***RECOMMENDED MOUNTING HEIGHTS**

Children's Washrooms, ages 3-4	36" (915mm)
Children's Washrooms, ages 5-8	40" (1015mm)
Children's Washrooms, ages 9-12	44" (1120mm)
 Universal Design	48" (1219mm)

*Bottom screw hole of mounting base to finish face of floor



MATERIALS:

Cover — One-piece, 3/32" (2.6 mm) thick, fire-retardant, molded high quality, high impact, pale grey (Bobrick color #889) ABS plastic, 5-V rated. Cover is secured to mounting base with three flat-head stainless steel screws.

Mounting Base and Fan Housing — 2mm (5/64") thick, fire-retardant molded plastic with high-gloss grey finish. Air-inlet grille fits into bottom of mounting base. Air-outlet grille is secured between fan housing and mounting base.

Motor — 220 to 240V AC, 90 W, 50/60 Hz, 3300 rpm. Brushless, external rotor motor. Sealed ball bearings at both ends of drive shaft; maintenance free. Equipped with an automatic thermal-overload switch.

Fan — Dynamically balanced, 133mm (5-15/64") diameter, centrifugal fan with multiple metallic vanes. Directs air flow from heating element at 90 cfm, mixes air to provide uniform temperature.

Heating Element — Coiled nickel-chrome heating element is protected by an automatic thermal-overload switch. Heating element, which is located on inlet side of fan, heats air without hot spots — inaccessible to vandals.

Electronic Control — Infrared sensor automatically turns dryer on when hands are held under air-outlet opening and across path of sensor. Remove hands from path of sensor and dryer stops. Electronic sensor has automatic shutoff approximately two minutes after dryer turns on if inanimate object, such as tape or chewing gum, is placed across sensor lens. After inanimate object is removed, electronic sensor automatically resets itself and dryer operates normally.

continued . . .

OPERATION:

No-touch operation. Electronic sensor automatically turns dryer on when hands are held under air-outlet opening and across path of sensor. Remove hands from path of sensor and dryer stops. Dryer will not stop by itself before user is satisfied hands are dry. Dryer operates only when actually drying hands, which saves energy and operating costs. Electronic sensor will automatically shut dryer off two minutes after dryer turns on if an inanimate object is placed across sensor lens. After inanimate object is removed, electronic sensor automatically resets itself and dryer operates normally.

1-Year Limited Warranty — This warranty is limited to the repair or exchange of defective parts at the option of Bobrick. See Installation Instruction Sheet, Form No. 710-69, for full details.

INSTALLATION:

Wall Preparation: Secure mounting base on wall using template provided. For masonry walls provide four #10 expansion shields or anchors and secure with four #10 (4.8) sheet-metal screws (not furnished). For plaster or dry wall construction, provide concealed backing to comply with local building codes and secure with four #10 (4.8) round-head sheet-metal screws, or 5mm (3/16") toggle bolts (not furnished). Provide electrical service from nearest distribution panel to dryer mounting base in conformance with local electrical codes.

Wiring Instructions:

Connect the 230-volt wires as follows. The neutral wire should be connected to the terminal marked *N*. The live wire should be connected to the terminal marked *L*.

Notes: Electronic sensor in CompacDryer will pick up movement within 100mm (4") of air-outlet nozzle. Use caution when choosing location for CompacDryer in confined areas. Consider proximity to doorways and other traffic areas.

Bobrick automatic hand dryers should be installed 15" (380mm) above any projection or horizontal surface which may interfere with the operation of the automatic sensor.

For installation instructions that include step-by-step installation procedures and details of electrical service connections, see Form No. 710-69, which is packed with each shipment. This form is also available in advance upon request.

SPECIFICATION:

Surface-mounted hand dryer shall have a one-piece, fire-retardant molded, Bobrick grey color #889. Mounting base and fan housing shall be fire-retardant molded plastic with high-gloss grey finish. Brushless motor shall be 90 watts, external rotor type with sealed ball bearings on ends of drive shaft and be equipped with an automatic thermal-overload switch. Centrifugal fan shall have multiple metallic vanes. Heating element shall be located on inlet side of fan, shall heat without hot spots, be inaccessible to vandals, and protected by an automatic thermal-overload switch. Electronic sensor shall automatically turn dryer on when hands are held under air-outlet opening and across path of sensor. Dryer will turn off automatically when hands are removed. Sensor shall automatically shut dryer off approximately two minutes after dryer turns on if an inanimate object is placed across sensor lens. After inanimate object is removed, electronic sensor shall automatically reset itself and dryer shall operate normally. Unit shall be VDE approved, CE marked. Unit shall comply with EU Directive "Restriction of Hazardous Substance" (ROHS) requirements for non-use of certain hazardous substances in the production of electronic products. Unit shall be protected by a limited 1-year warranty on all parts. Manufacturer's service and parts manual shall be provided to the building owner/manager upon request.

Surface-Mounted Automatic Hand Dryer shall be Model B-710E 230V of Bobrick Washroom Equipment, Inc., Clifton Park, New York; Jackson, Tennessee; Los Angeles, California; Bobrick Washroom Equipment Company, Scarborough, Ontario; Bobrick Washroom Equipment Pty. Ltd., Australia; and Bobrick Washroom Equipment Limited, United Kingdom.