

# TECHNICAL DATA SHEET



## Lever Roll Towel



### PRODUCT CODE: T950

- Universal: Holds ALL paper qualities and core sizes
- Simple & easy to load with fewer internal parts
- Compact & high capacity: integrated design features the smallest foot print for an 800 ft (244 m), 8" diameter roll
- Ergo-Hygienic, ADA compliant lever with Bio-Kleen protection

**Installation:** Wall mounted

**Closure:** With lock

**Color:** Black Pearl, Arctic Blue

**Dimensions L x W x D:**  
12.82" x 12.49" x 8.60"  
(325.7 x 317.3 x 218.4 mm)

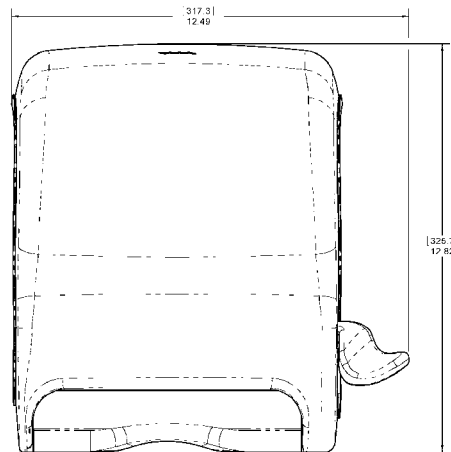
**Capacity:**  
(1) 8" wide roll (200 mm);  
8" diameter (200 mm)

**Core Diameter:** ANY!

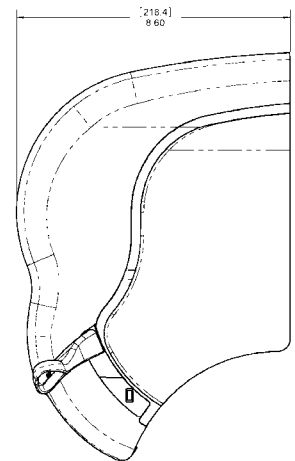
**Case Weight:** 3.856 lbs (1.749 kg)

**Materials:**  
Base : break resistant plastic  
Cover: break resistant plastic

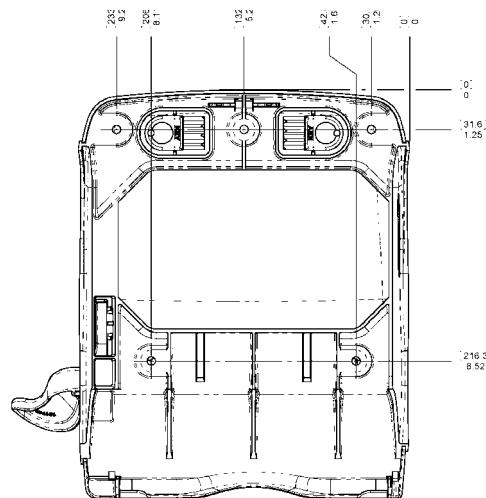
### FRONT



### SIDE



### BACK



**San Jamar**  
555 Koopman Lane  
Elkhorn, Wisconsin 53121  
USA  
T: +1.262.723.6133  
F: +1.262.723.4204  
info@sanjamar.com  
www.sanjamar.com

**Canada**  
3280 Bloor Street West  
Suite 1140  
11th Floor, Centre Tower  
Toronto, ON M8X 2X3  
CANADA  
T: +1.262.723.6133  
F: +1.262.723.4204  
canada@sanjamar.com

**Europe**  
Schoorstraat 26a, bus 1  
2220 Heist-op-den-Berg  
BELGIUM  
T: +32 15 22 81 40  
F: +32 15 22 81 48  
emea@sanjamar.com

**México**  
Av. Paseo de la Reforma No. 350 - 10  
Col. Juárez  
Deleg. Cuauhtemoc, CP 06600  
MEXICO, D.F.  
T: +52 (55) 3626 0772  
mexico@sanjamar.com

