

TECHNICAL DATA SHEET



Lever Roll Towel *Oceans*™



PRODUCT CODE: T990TBK, T990TBL

- Universal: Holds ALL paper qualities and core sizes
- Simple & easy to load with fewer internal parts
- Compact & high capacity: integrated design features the smallest foot print for an 800 ft, 8" diameter roll
- Ergo-Hygienic, ADA compliant lever with Bio-Kleen protection

Installation: Wall mounted

Closure: With lock

Color: Black Pearl, Arctic Blue

Dimensions L x W x D:
12.82" x 12.49" x 8.60"
(325.7 x 317.3 x 218.4 mm)

Capacity:
(1) 8" (203 mm) wide roll;
8" (203 mm) diameter

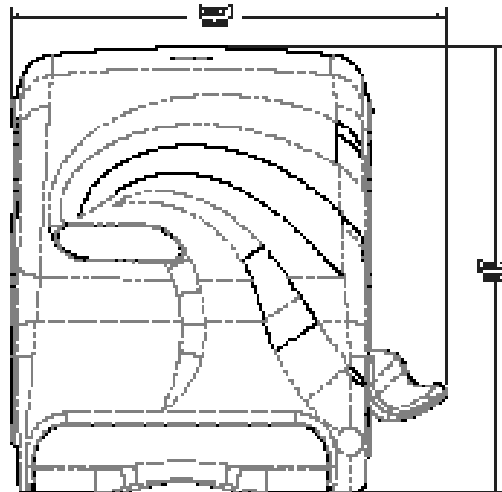
Core Diameter: ANY!

Case Weight: 3.856 lbs (1.749 kg)

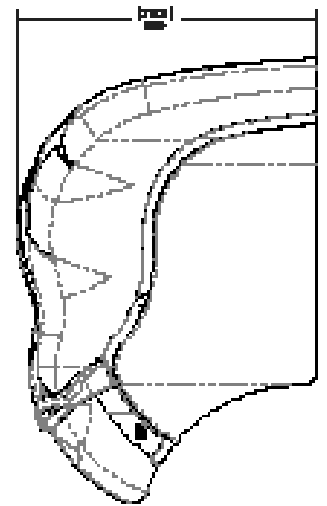
Materials:
Base : break resistant plastic
Cover: break resistant plastic

Standard Product Code: T990

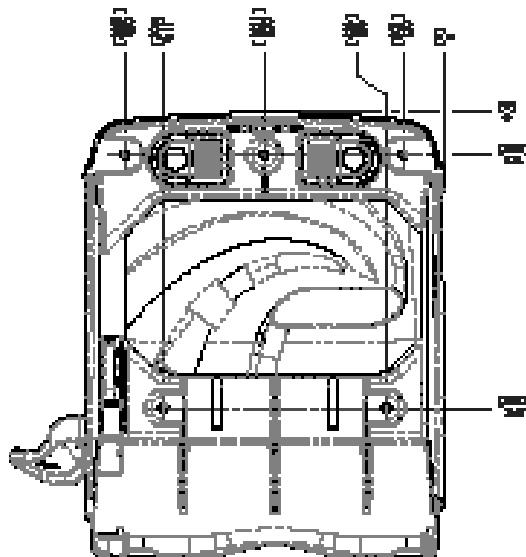
FRONT



SIDE



BACK



San Jamar
555 Koopman Lane
Elkhorn, Wisconsin 53121
USA
T: +1.262.723.6133
F: +1.262.723.4204
info@sanjamar.com
www.sanjamar.com

Canada
3280 Bloor Street West
Suite 1140
11th Floor, Centre Tower
Toronto, ON M8X 2X3
CANADA
T: +1.262.723.6133
F: +1.262.723.4204
canada@sanjamar.com

Europe
Schoorstraat 26a, bus 1
2220 Heist-op-den-Berg
BELGIUM
T: +32 15 22 81 40
F: +32 15 22 81 48
emea@sanjamar.com

México
Av. Paseo de la Reforma No. 350 - 10
Col. Juárez
Deleg. Cuauhtemoc, CP 06600
MEXICO, D.F.
T: +52 (55) 3626 0772
mexico@sanjamar.com

