



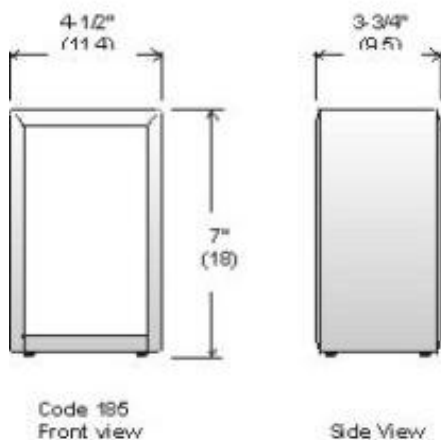
- Quality
- Value
- Service

**Tech  
Reference**

**Hygienic Solutions at Work**

## Table Napkin Dispenser

- Code 195C:** Napkin dispenser, polished chrome finish  
**Code 195W:** Napkin dispenser, black finish  
**Code 195B:** Napkin dispenser, white finish



### Specifications:

#### Site Location:

Economical table napkin dispenser comes in three finishes to suit both institutional and commercial applications. Note: Code 195B and Code 195W are special order, minimum quantity of 50 units required.

#### Dispensing:

Will accept all standard napkins.

#### Features:

One piece die formed body of 22 gauge steel with slightly radiused corners.

Spring loaded pressure plates provide consistent dispensing of napkins.

Dual sided dispensing.

Rubber feet to protect countertops.

Description and specifications applicable on date issued. Frost reserves the right to make improvements or changes without notice.