

# Hospitality Storage Cabinet

## Economical Chemical Storage Cabinet

The Hospitality Storage Cabinet is a modular chemical cabinet that is designed to fit your storage needs at an economical price. The storage cabinet can be customized into multiple chambers or configurations to be used with as many chemical containers as needed. The simple rugged enclosure is made to fit 1 gallon, 5 liter, or two 1/2 gallon F-style containers. Chemical storage has never been so attractively cost effective and accommodating.



- Economical and cost effective
- Multiple cabinets can be connected together
- Rugged Polypropylene and stainless steel construction
- Large viewing window to be able to see chemical label and chemical level
- Fits 1 gallon, 5 liter, or two 1/2 gallon F-style containers
- Modular design to create your desired configuration
- Models have options with or without lock
- Simple and easy snap together assembly

## Features & Benefits



## Storage Cabinet Configurations

The Hospitality Storage Rack modular designs allows you to create and customize your chemical storage rack to fit your needs. The storage racks comes as standard one or two cabinet configurations, and additional add on kits are available to expand the storage cabinet to any size you need. The simple snap together design allows for easy cabinet additions, and still ensures secure storage when assembled and mounted.



## ORDERING INFORMATION

### Hospitality Storage Cabinet

PART #	DESCRIPTION
7630801	Single Hospitality Storage Rack for 1 gallon or 5 liter bottles
7630802	Dual Hospitality Storage Rack for two 1 gallon or 5 liter bottles
7630803	Add on kit for additional Hospitality Storage Rack for 1 gallon or 5 liter bottles
7630804	Single Hospitality Storage Rack <b>with lock</b> for 1 gallon or 5 liter bottles
7630805	Dual Hospitality Storage Rack <b>with lock</b> for two 1 gallon or 5 liter bottles
7630806	Add on kit for additional Hospitality Storage Rack <b>with lock</b> for 1 gallon or 5 liter bottles

### KNIGHT LIMITED WARRANTY

Knights controls and pump systems are warranted against defects in material and workmanship for a period of ONE YEAR. All Electronic Control Boards have a TWO YEAR warranty. Warranty applies only to the replacement or repair of such parts when returned to the factory with a KRA number, freight prepaid and found to be defective upon factory inspection. Rubber and synthetic rubber parts such as "O" rings, diaphragms, squeeze tubing and gaskets are considered expendable and are not covered under warranty. Warranty does not cover liability resulting from performance of this equipment nor the labor to replace this equipment. Product abuse or misuse voids warranty. Knight products are not for use in potentially explosive environments. Any use of our equipment in such an environment is at the risk of the user. Knight does not accept any liability in such circumstances.

### KNIGHT DISCLAIMER

The information and specifications included in this publication were in effect at the time of approval for printing. Knight, LLC. reserves the right, however, to discontinue or change specifications or design at any time without notice and without incurring any obligation whatsoever.



Knights U.S.  
Toll Free (800) 854-3764  
Tel (949) 595-4800  
Fax (949) 595-4801

Knights Canada  
Tel (905)542-2333  
Fax (905)542-1536

Knights Europe  
Tel +44(1323)514855  
Fax +44(1323)514828

Knights Australia  
Tel +61(02)9352.1801  
Fax +61(02)9352.1899

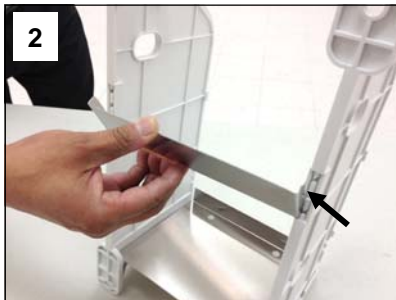
Knights N. Asia  
Tel +82(2)3481.6683  
Fax +82(2)3482.5742

Knights S. Asia  
Tel +65.9170.0984  
Fax +65.6489.6723

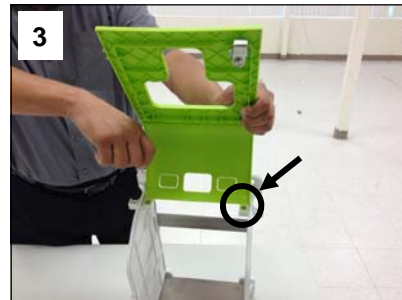
## ASSEMBLY INSTRUCTIONS



Attach the left and right side panels to the bottom panel ensuring that they snap into place with the 2 index holes on each side.



Insert the back brace into the corresponding slots on the left and right side panels so that the brace will sit flush against the wall when mounted.

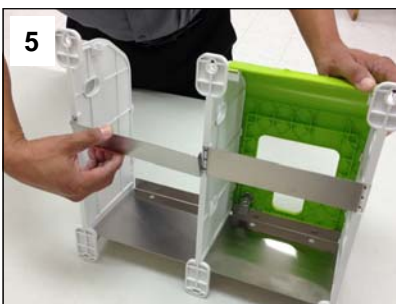


Attach the cover to the side panels using the 2 screws. Ensure the hinges are oriented so that screws are not visible when the cover is down.

## ATTACHING ADDITIONAL CABINETS



Attach the add-on side panel to the add-on bottom panel ensuring that it snaps into place with the 2 index holes on the panel.  
NOTE: Add-on kits attach to existing cabinets, so they contain 1 less side wall.



Insert add-on back brace into the corresponding slots on the side panels so that the brace will sit flush against the wall when mounted.



Attach add-on cover to the side panels using the 2 screws. Ensure the hinges are oriented so that screws are not visible when the cover is down. Repeat steps 4 through 6 for any additional cabinets.

## KNOCKOUT PLUGS



APPLICATION NOTE: The covers have knockout plugs that can be removed if desired to allow the chemical line to be routed into an F-style container.

## MOUNTING NOTES

- Mount the cabinet(s) in the desired location using appropriate hardware for the mounting surface. Be sure there is enough room above the cabinet(s) for the door(s) to swing open.
- Route the chemical line(s) from the dispenser(s) through any of the various openings on the cabinet(s) ensuring that each line is not kinked or pinched.
- APPLICATION NOTE: If using with a proportioning system, do not mount the unit(s) below the cabinet(s).



**CAUTION:** Wear protective clothing and eyewear when dispensing chemicals or other materials. Observe safety handling instructions (MSDS) of chemical mfrs.



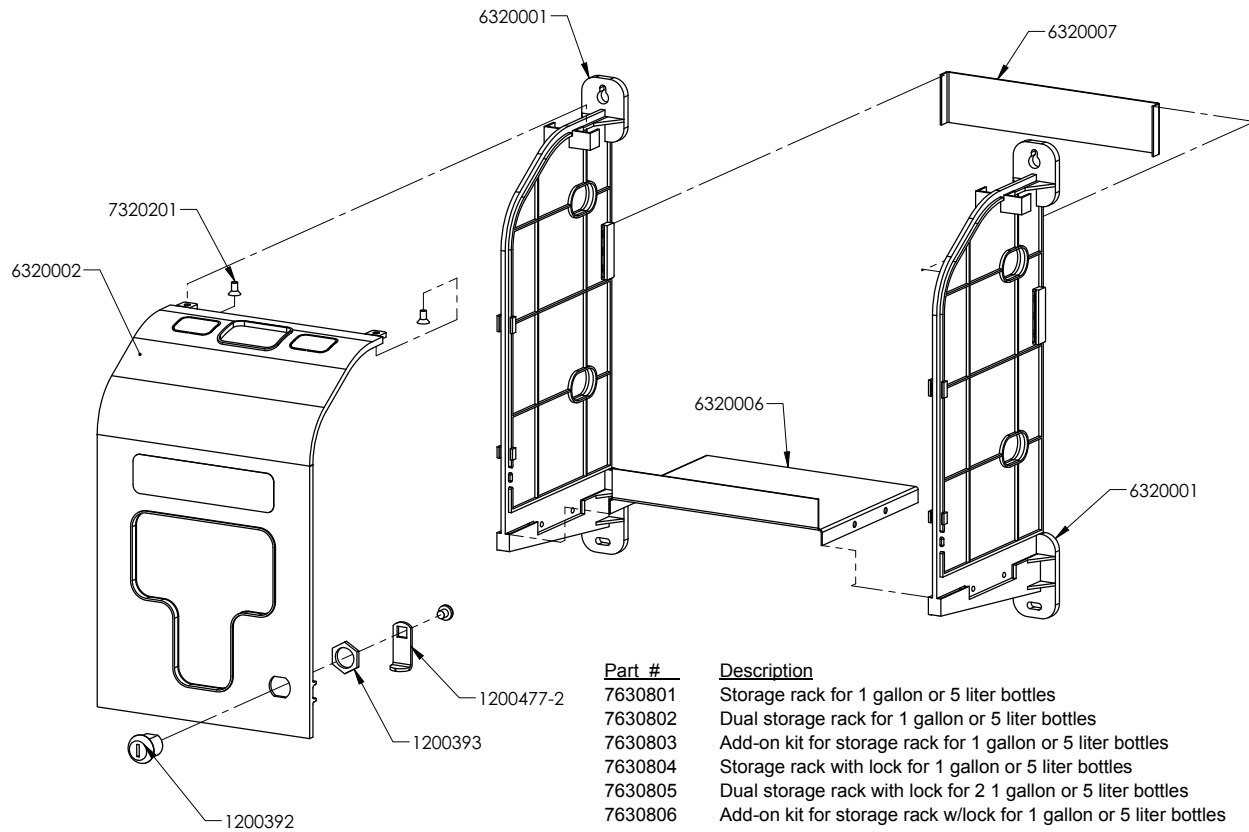
**CAUTION:** When installing any equipment, ensure that all national and local safety, electrical, and plumbing codes are met.

## DIMENSIONS

- Max chemical bottle size:  
W 7.3" x H 11.8" x D 6.1"  
W 19cm x H 30cm x D 16cm

- Outer dimensions/single cabinet:  
W 9.4" x H 15.1" x D 6.4"  
W 24cm x H 38cm x D 17cm

## PARTS DIAGRAM



Part #	Description
7630801	Storage rack for 1 gallon or 5 liter bottles
7630802	Dual storage rack for 1 gallon or 5 liter bottles
7630803	Add-on kit for storage rack for 1 gallon or 5 liter bottles
7630804	Storage rack with lock for 1 gallon or 5 liter bottles
7630805	Dual storage rack with lock for 2 1 gallon or 5 liter bottles
7630806	Add-on kit for storage rack w/lock for 1 gallon or 5 liter bottles

## DISCLAIMER

Knight LLC does not accept responsibility for the mishandling, misuse, or non-performance of the described items when used for purposes other than those specified in the instructions. For hazardous materials information consult label, MSDS, or Knight LLC. Knight products are not for use in potentially explosive environments. Any use of our equipment in such an environment is at the risk of the user, Knight does not accept any liability in such circumstances.

## WARRANTY

All Knight controls and pump systems are warranted against defects in material and workmanship for a period of ONE year. All electronic control boards have a TWO year warranty. Warranty applies only to the replacement or repair of such parts when returned to factory with a Knight Return Authorization (KRA) number, freight prepaid, and found to be defective upon factory authorized inspection. Bearings and pump seals or rubber and synthetic rubber parts such as "O" rings, diaphragms, squeeze tubing, and gaskets are considered expendable and are not covered under warranty. Warranty does not cover liability resulting from performance of this equipment nor the labor to replace this equipment. Product abuse or misuse voids warranty.

## FOOTNOTE

The information and specifications included in this publication were in effect at the time of approval for printing. Knight LLC reserves the right, however, to discontinue or change specifications or design at any time without notice and without incurring any obligation whatsoever.

**KNIGHT LLC, A Unit of IDEX Corporation (www.knightequip.com)**

**Knight Headquarters**  
Tel: 949.595.4800  
Fax: 949.595.4801

**USA Toll Free**  
Tel: 800.854.3764  
Fax: 800.752.9518

**Knight Canada**  
Tel: 905.542.2333  
Fax: 905.542.1536

**Knight Europe**  
Tel: 0044.1323.514855  
Fax: 0044.1323.514828

**Knight Australia**  
Tel: 61.02.9352.1801  
Fax: 61.02.9352.1899

**Knight N. Asia**  
Tel: 82.2.3481.6683  
Fax: 82.2.3482.5742

**Knight S. Asia**  
Tel: 65.6763.6633  
Fax: 65.6489.6723