

# NOVA 4® AND NOVA 5® HAND DRYERS



## FACTS

- Saves up to 95% of paper towel costs*
- Reduces maintenance costs, vandalism and mess associated with paper towels*
- Saves trees from becoming paper towels*
- Reduces burden on clogged landfills*
- Uses less energy and produces fewer greenhouse gases than the production of paper towels*

## FEATURES

- Low amperage, quiet induction motor*
- Motor is brushless, so no need for brush replacement*
- Durable and vandal resistant.*
- Nova 4® available in surface mounted or recessed versions; Nova 5® can be recessed with a kit.*
- Nova 5® push button models are available with adjustable dry timing*
- Swivel nozzle to dry hands and face*
- Nozzle shipped in the swivel position and can be locked to fixed position in the field*
- Infrared sensor activation available*

## WARRANTY

- 10 year limited*
- 5 years on sensor*

## NOVA 4® & NOVA 5® SPECIFICATIONS

Nova 4® & Nova 5® hand dryers shall be manufactured by or for Nova Dryers® to include a one-piece cover constructed of .20" thick cast iron (Nova 4®) finished in white acid-resistant porcelain enamel or .09" thick die cast aluminum finished in brushed chrome plating or epoxy coating (Nova 5®). Dryers shall be fitted with 360° revolving die cast aluminum nozzles finished in bright chrome plating. Surface-mounted covers shall be fastened by two flat-head, recessed tamper-resistant bolts to a heavy-gauge steel wall plate, which in turn shall be fastened to the wall or a wall box by four concealed mounting bolts. (For recessed dryers only: A steel wall box shall be furnished into which a complete base assembly shall be mounted). The dryer shall be equipped with 15 air intake slots (Nova 4®) or 30 air intake slots (Nova 5®). The fan shall be protected by an aluminum die cast grating fixed into the blower housing. The entire mechanism shall be internally grounded throughout. The motor shall be brushless, 1/10 H.P., 3200 RPM, thermally protected. The fan shall be a large single inlet centrifugal type contained in an aluminum die cast housing. It shall deliver 148 cubic feet per minute of air volume (4700 LFM) and shall be mounted directly on the motor shaft. The heating element of nichrome wire shall be mounted on the air intake. It shall be protected by an automatic resetting circuit breaker (25 AMP) which shall open whenever the air flow is cut off and shall close when the flow of air is resumed. The element shall produce an air temperature of 142°F at a 72°F ambient room temperature outlet. The dryer shall be equipped with an infrared sensor which will allow the dryer to start automatically when hands are placed underneath the air nozzle, and to stop automatically when the hands are removed. For pushbutton dryers (Nova 5® only), timer shall be micro-chip based and micro-switch activated. It shall be adjustable to allow for the required time cycle setting. Nova Dryers® shall be listed under reexamination service of Underwriters Laboratories, Inc.



## SPECIFIER'S APPROVAL

Job _____	Date _____
Model Number _____	Quantity _____
Nova 5 only: Cover Option _____	Recess Kit _____
Variations _____	
Customer/Wholesaler _____	
Contractor _____	
Architect/ Engineer _____	

Electronic specifications available online: [www.worlddryer.com/specs](http://www.worlddryer.com/specs)



## ELECTRICAL SPECIFICATIONS

NOVA 5	ELECTRICAL				ACTIVATION	
	Surface	Recessed	Volts	Amps		Watts
0112	kit	120	15	1800	Push button	60 Hz
0122	kit	208/240	6.5/7.5	1350/1800	Push button	60 Hz
0212	kit	120	15	1800	Automatic	60 Hz
0222	kit	208/240	6.5/7.5	1350/1800	Automatic	60 Hz

Optional brushed chrome cover available for the Nova 5 Model only. Please specify when ordering.

NOVA 4	ELECTRICAL				ACTIVATION	
	Surface	Recessed	Volts	Amps		Watts
0412	0712	120	15	1800	Automatic	60 Hz
0422	0722	208/240	9	1350/1800	Automatic	60 Hz
0512*	---	120	15	1800	Automatic	60 Hz

\*Institutional surface mount hand dryer with top knockout for surface wiring installation

## PLANNING GUIDE

### QUANTITY ESTIMATE

Average traffic:  
1 dryer per 2 washbasins  
Heavy traffic: 1 dryer per washbasin  
54" Bradley sink: 4 dryers per sink

### INSTALLATION

Hand dryers require a dedicated 20 AMP circuit, and must be properly grounded. GFI Circuit protection is recommended. One side of dryer should be mounted to a stud.

### DRYER PLACEMENT

Hand dryers should be placed at least 2 feet apart, near but not over the washbasin. In congested areas dryers should be placed to create a traffic flow from wash basin to dryer to exit. Automatic dryers should be placed more than 18" above or away from projections, which may interfere with the operation of the automatic sensor.

### RECESSING KITS

For Nova 5® only, if recessing is desired, specify a kit number along with the model number.  
37-058500 Steel box w/ white trim  
37-058589 Steel box w/ chrome trim

### REPLACEMENT MODEL NUMBERS

The following new model numbers may be used to replace the associated older model numbers for specification purposes:

#### NOVA 4®

- 0412 and 0712 replace: 0410, 0411 and 0710, 0711
- 0422 and 0722 replace: 0420, 0421, 0480 and 0720, 0721, 0780
- 0512 replaces: 0511

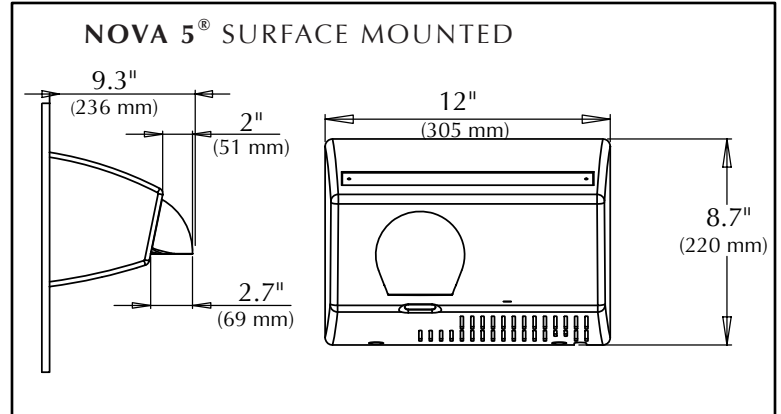
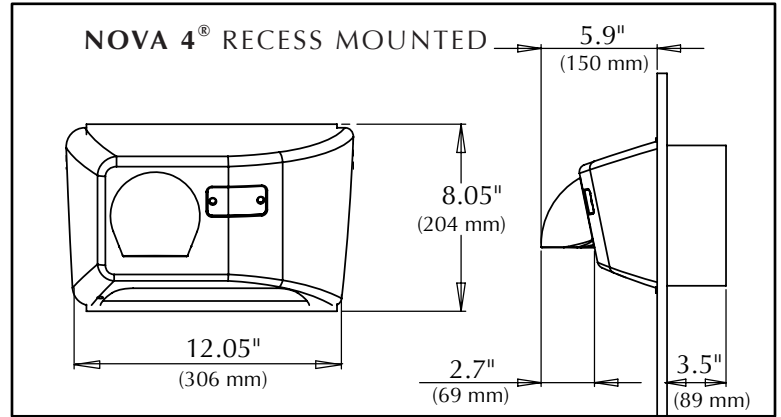
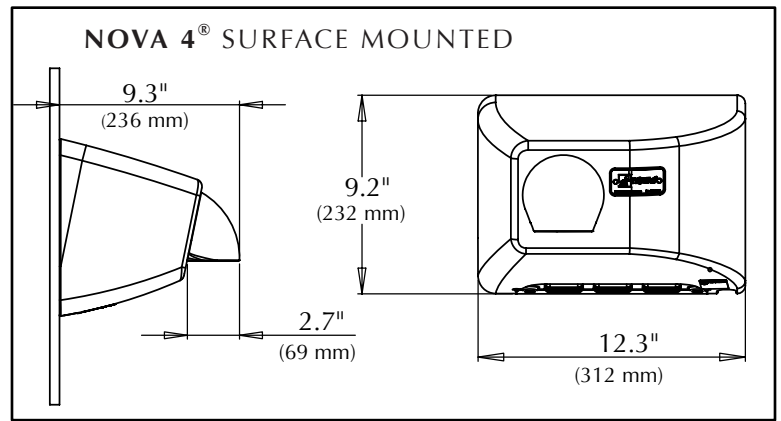
#### NOVA 5®

- 0112 and 0212 replace: 0110, 0111 and 0210, 0211
- 0122 and 0222 replace: 0120, 0180, 1121 and 0220, 0280, 0221

## MOUNTING HEIGHTS

	Surface	Recessed
Men	46" (117cm)	42" (107cm)
Women	44" (112cm)	40" (102cm)
Children ages 3-7	32" (81cm)	28" (71cm)
Children ages 8-10	36" (91cm)	32" (81cm)
Children ages 11-13	40" (102cm)	36" (91cm)
Children ages 14-17	44" (116cm)	40" (102cm)
Disabled	37" (94cm)	34" (86cm)

Measured from floor to the bottom of the unit



Drawings are not to scale.

## MEASUREMENTS

NOVA 4 - White Cover		SHIPPING MEASUREMENTS	
MOUNTING	MEASUREMENTS	WEIGHT	DIMENSIONS
Surface	12.3" W x 9.2" H x 9.3" D	27 lbs	14" L x 11" W x 13" H
Recessed	12" W x 8" H x 5.9" D	22 lbs	14" L x 11" W x 13" H

NOVA 5 - Brushed Chrome Cover		SHIPPING MEASUREMENTS	
MOUNTING	MEASUREMENTS	WEIGHT	DIMENSIONS
Surface	12" W x 8.7" H x 9.3" D	18 lbs	13" L x 10" W x 11" H
Recessed	15" W x 13.2" H x 5.9" D	18 lbs	13" L x 10" W x 11" H 16" L x 14" W x 5-1/2" H