

**39729**

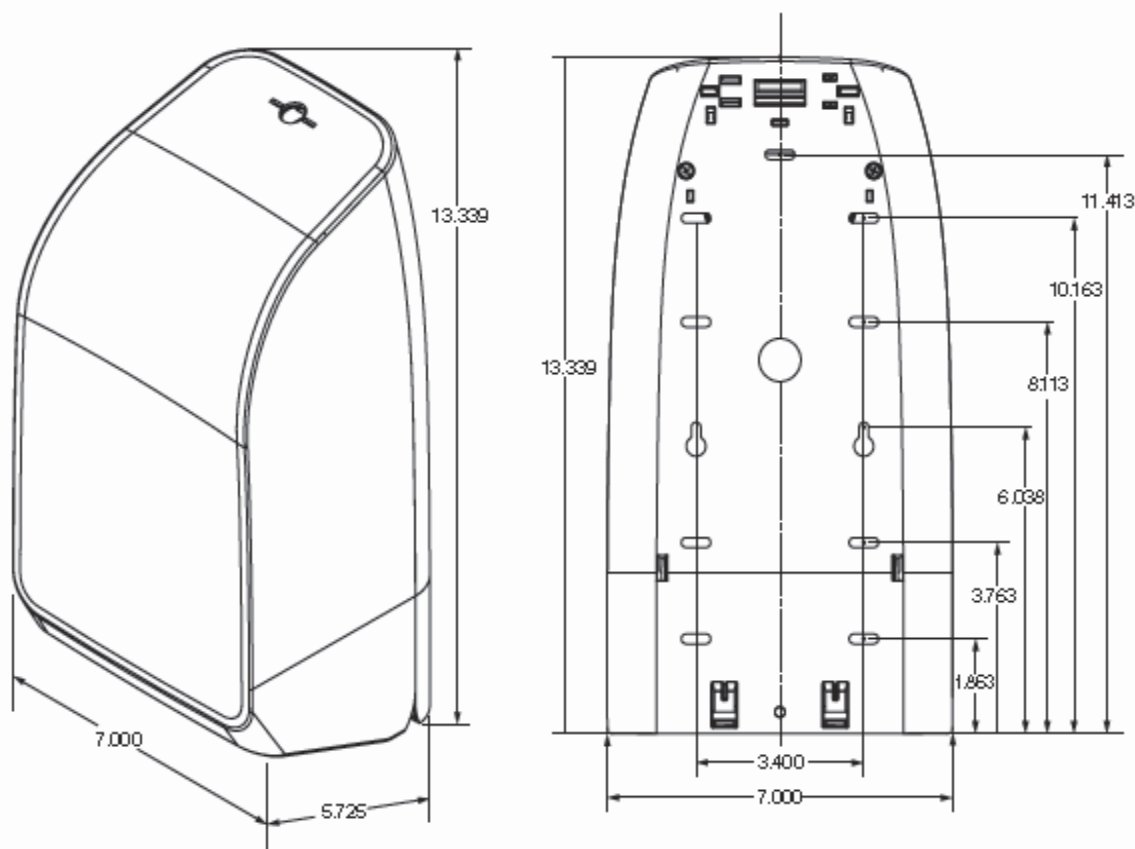
## MOD\* HYGIENIC BATHROOM TISSUE DISPENSER, FAUX STAINLESS

Made of high impact plastic. Housing has a cover with opaque stainless look center and smoked translucent sides with an opaque black back. The dispenser accommodates up to 2 full and 1 partial clip of product to help reduce maintenance. No-touch dispensing is designed to reduce the risk of cross-contamination because users touch only the product they use. Features key-activated spring lock or push-button operation and a hinged front cover. Incorporates overfill mechanism to minimize tears and tabs when dispenser is overfilled. Hardware included for mounting. One per case.

**Suggested mounting height is 48" above the floor.**

**When installed properly and used with the corresponding product, this dispenser meets the ADA Standards for Accessible Design, local rules may vary.**

*NOTE: Unless otherwise noted, suggested mounting height is the distance from the floor to the bottom of the dispenser.*



40407

## MOD\* HYGIENIC BATH TISSUE DISPENSER, WHITE

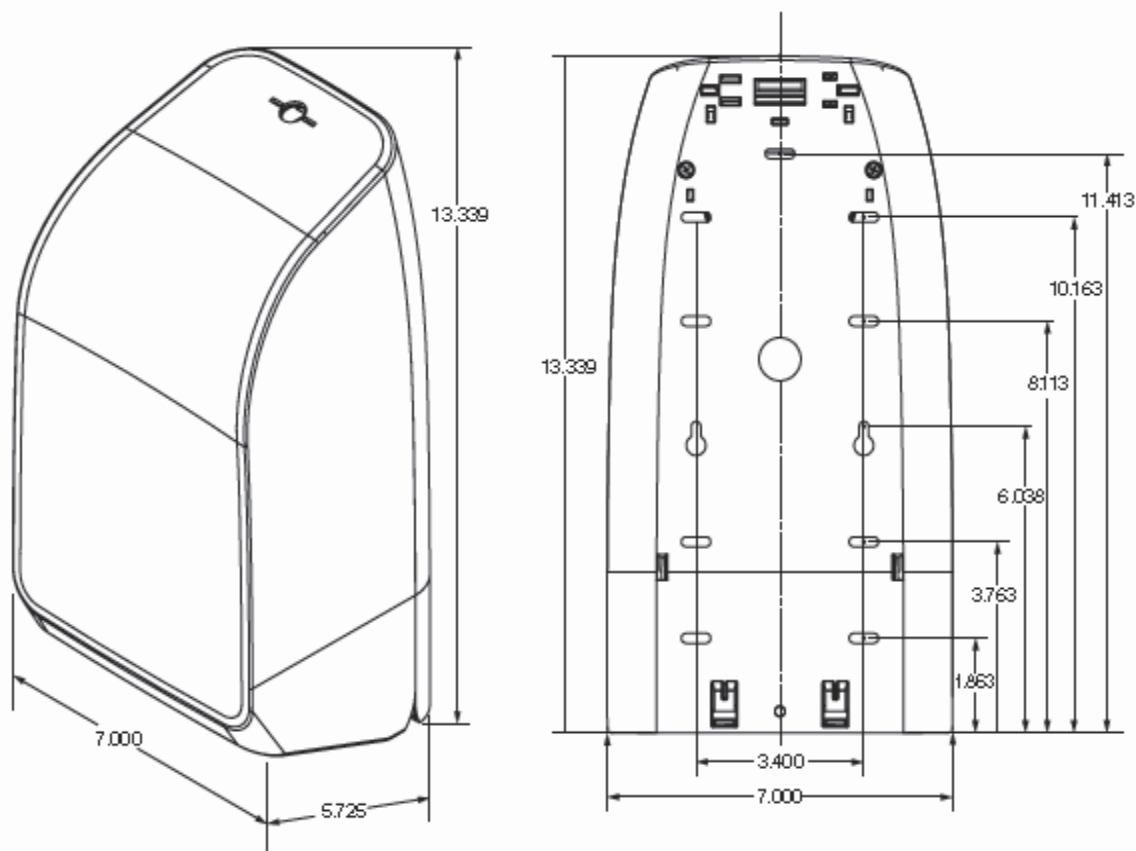
Made of high impact plastic. Housing has a cover with opaque white center and smoked translucent sides with an opaque black back. The dispenser accommodates up to 2 full and 1 partial clip of product to help reduce maintenance. No-touch dispensing is designed to reduce the risk of cross-contamination because users touch only the product they use. Features key-activated spring lock or push-button operation and a hinged front cover. Incorporates overfill mechanism to minimize tears and tabs when dispenser is overfilled. Hardware included for mounting. One per case.

**Suggested mounting height is 43" above the floor or 6" above grab bar in handicapped stall.**

### Product Codes

48280 KLEENEX® Folded Bath Tissue

48180 SCOTT® Folded Bath Tissue


**39728**

## MOD\* HYGIENIC BATH TISSUE DISPENSER, BLACK

Made of high impact plastic. Housing has a cover with opaque black center and smoked translucent sides with an opaque black back. The dispenser accommodates up to 2 full and 1 partial clip of product to help reduce maintenance. No-touch dispensing is designed to reduce the risk of cross-contamination because users touch only the product they use. Features key-activated spring lock or push-button operation and a hinged front cover. Incorporates overfill mechanism to minimize tears and tabs when dispenser is overfilled. Hardware included for mounting. One per case.

**Suggested mounting height is 43" above the floor or 6" above grab bar in handicapped stall.**

### Product Codes

48280 KLEENEX® Folded Bath Tissue

48180 SCOTT® Folded Bath Tissue

*NOTE: Unless otherwise noted, suggested mounting height is the distance from the floor to the bottom of the dispenser.*