

AN AXION™ EYEWASH...



...FOR THE OFFICE,
HOME AND LAB

AXION™ eyePOD™

The AXION™ eyePOD™ is a faucet-mounted eyewash that provides professional business facilities, such as doctor and dentist offices, laboratories, and educational facilities, with AXION MSR™ eyewash capabilities in an attractive, low profile, low cost design. With a flick of the wrist your standard faucet becomes a thermally controlled AXION™ Medically Superior Response™ eyewash, and with another flick of the wrist it resets as a faucet. Now how is that for convenience?

axion™
EYEPOD™

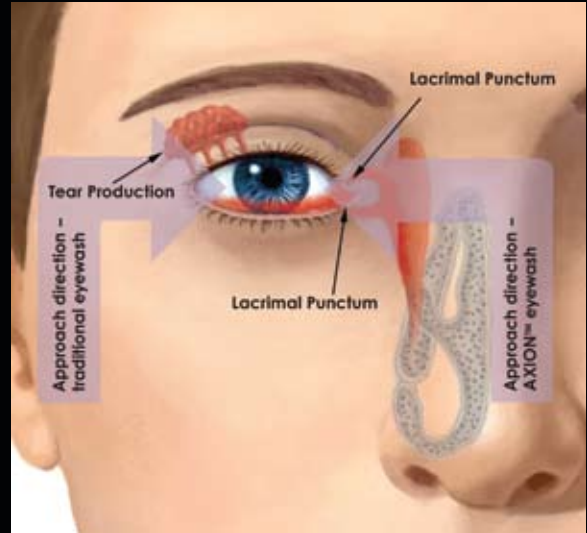
AXION MSR™

MEDICALLY SUPERIOR RESPONSE™

A medical problem ... an elegant solution

AXION MSR™ eyewash products use an exclusive, inverted flow pattern that is consistent with first aid protocols used by medical professionals. The eyewash flows mitigate the risk of inhalation or ingestion of hazardous contaminants during eye irrigation.

The medical profession teaches and practices irrigating eyes by introducing flushing fluid at the inner corner of the eye – adjacent to the nose – letting it run across the eye to the outer edge. This is specifically done to avoid driving contaminants into the lacrimal punctum and the nasal cavity. The accepted medical practice is counter to the way that traditional eyewashes operate and can result in further injury to the splash or blown-particulate injured victim. AXION MSR™ is the only eyewash product that duplicates the methodology used by and recommended by healthcare professionals.



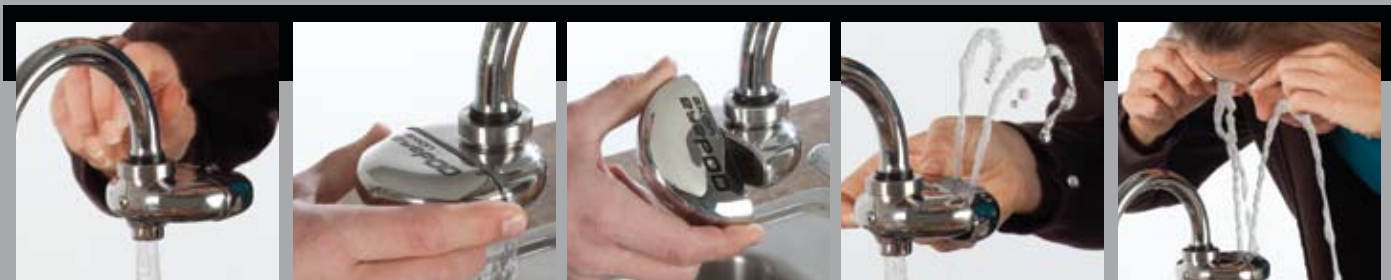
The newest addition to the AXION™ line of products, the AXION™ eyePOD™, is a faucet-mounted eyewash that provides professional business facilities with AXION MSR™ eyewash irrigation capabilities in an attractive, low cost, compact package.

The sleek, smooth, stainless steel exterior of the eyePOD™ blends in with any décor and is easy to clean and use.

Installation is a snap, with a variety of industry standard adapters included that allow the eyePOD™ to be used with standard faucets. Simply remove the existing aerator from the bottom of your faucet by unscrewing it and replace it with the eyePOD™.

The elegant eyePOD™ has been designed to withstand a lifetime of use and is certified to NSF61, ANSI/ISEA Z358.1.

As an added safety precaution, the eyePOD™ features a built-in thermostatic safety valve that will automatically shut off eyewash flows at 100°F (37°C), diverting all water out through the aerator at the bottom of the unit. This protects users from accidentally irrigating with water that is too hot. When water temperatures fall to an acceptable degree, eyewash flows are automatically restored.



With the attractive logo facing upward, the AXION™ eyePOD™ will allow your faucet to function normally. Water passes through the eyePOD™ and exits through the built-in aerator under the unit.

Rotating the front of the eyePOD™ one-half turn (in either direction) brings the eyewash spouts to the top and automatically resets the unit to operate as an eyewash. Water is discharged from the twin AXION™ eyePOD™ eyewash nozzles for a soothing irrigation

experience. The downward orientation of the eyewash nozzles when not in use keeps them free of dust and debris accumulation... and, their antimicrobial treatment minimizes the risk of damage due to mold and mildew growth.





www.axioneyepod.com

US/Canada

Haws HQ • www.hawSCO.com • 1.888.640.4297

Mexico/Central America

Haws HQ • www.hawSCO.com • +1.775.359.4712

South America

Avlis-Haws Brazil • www.avlisvalvulas.com.br • +55 (11) 4024.2977

Asia Pacific

Haws Singapore • www.haws.sg • +65.6367.0359

Europe/Middle East/Africa

Haws Switzerland • www.haws.ch • +41 (0) 34.420.6000



model **7620**
Eyewashes

FEATURES & BENEFITS

FINISH

The stainless steel construction is rugged enough for any industrial application, and the polished surface is cosmetically suited for any professional office setting.

THERMOSTATIC PROTECTION

Thermostatic protection that will protect the user from water over 100°F by shutting off the eyewash.

EYEWASH

AXION™ eyePOD™ eyewash head (patent pending) uses an inverted directional laminar flow to sweep contaminants away from the vulnerable nasal cavity.

INSTALLATION

Easy to install on a wide variety of sink faucets (not included) using a standard 55/64-27 thread faucet connection, along with three additional adaptors provided (15/16-27 male, 13/16-27 male and 13/16-24 female).

ACTIVATION

Easy one motion rotation to activate/deactivate the use of the unit.



OPTIONS

- ❑ Tempered Water Blending Systems: Model TWBS.EWE; lead-free emergency valve thermostatically mixes hot and cold water to provide a safe fluid supply for emergency eyewash equipment, with a flow rate of 12 gpm.
- ❑ Tempered Water Blending Systems: Model 9201EFE; emergency valve thermostatically mixes hot and cold water to provide a safe fluid supply for emergency eyewash equipment, with a flow rate of 12 gpm.

To see all options for this model, visit www.hawasco.com

SPECIFICATIONS

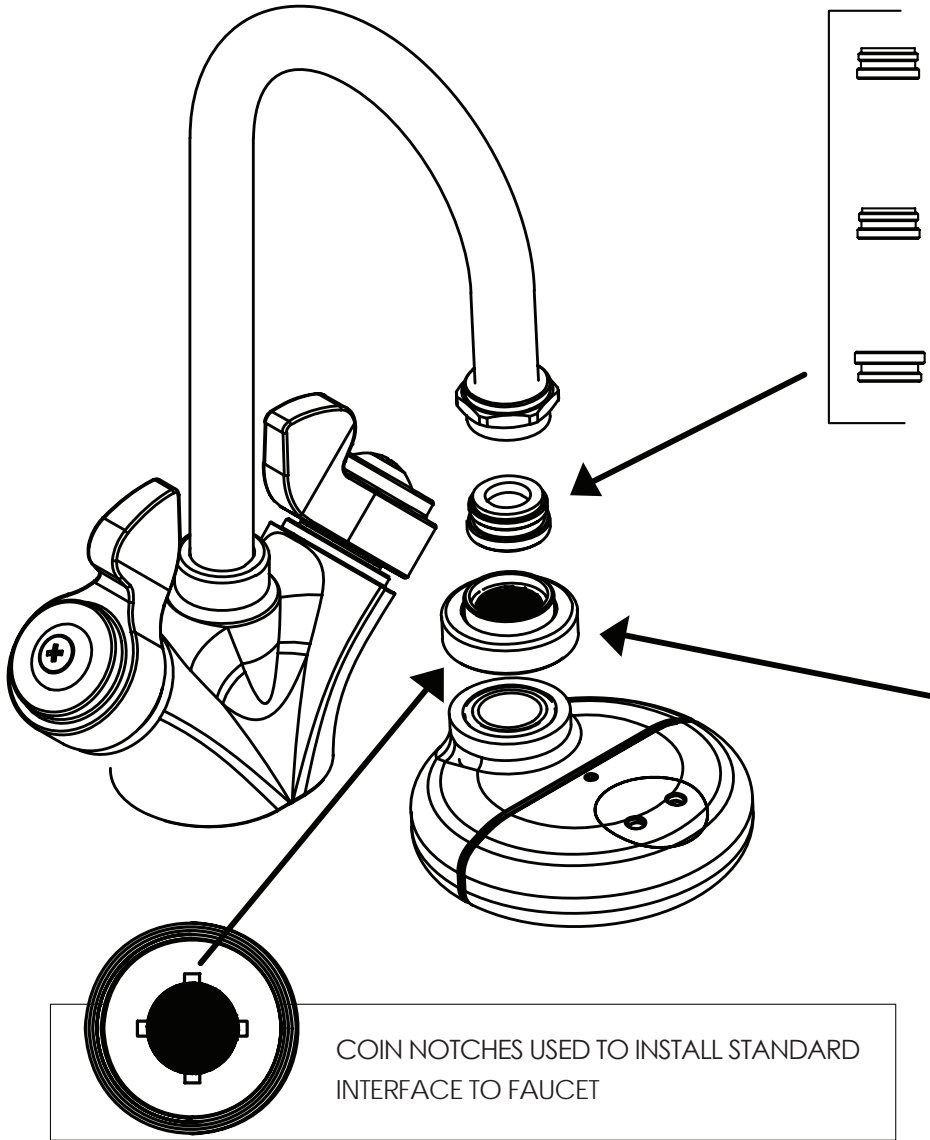
Model 7620 AXION™ eyePOD™ faucet mounted eyewash (patent pending). Constructed of stainless steel with a polished finish, the unit shall feature inverted directional laminar flow which achieves zero vertical velocity supplied by an integral .9 GPM flow control, which supplies a .5 GPM aerator. The standard faucet connection is 55/64-27 female thread, with the optional aerators adapting this size to; 15/16-27 male, 13/16-27 male and 13/16-24 female. A thermostatic shutoff is used for water temperatures over 100°F. Operating pressure; 30 - 90 psi.

APPLICATIONS

Where safety is of the utmost importance and the eyes of any person may be exposed to injurious or corrosive materials, suitable facilities for quick flushing and cleansing of the eyes be provided within the work area for immediate emergency use.

Model is certified by CSA to meet ANSI Z358.1 and ASME A112.18.1/CSA B125.1 standards for Emergency Eyewash and Shower Equipment. Product is compliant to NSF 61, California Health and Safety Code 116875 (AB 1953) and NSF/ANSI 372, along with all current Federal Regulations for the disabled including those in the Americans with Disabilities Act.





SUPPLIED WITH 3 COMMON
FAUCET ADAPTERS TO ALLOW
UNIT TO WORK WITH ALMOST
ANY FAUCET

STANDARD INTERFACE
WITH LOCKNUT
(will fit most faucets)

COIN NOTCHES USED TO INSTALL STANDARD
INTERFACE TO FAUCET