

FEATURES & BENEFITS

PROTECTION

Stainless steel dust cover protects eye/face wash as well as bowl from airborne contaminants and dust assuring optimal safety for the user.

CONSTRUCTION

Made of stainless steel, the cover and linkage resist corrosion and provides long life.

OPTIONS

To see all options for this model, visit www.hawSCO.com



SPECIFICATIONS

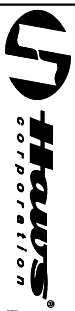
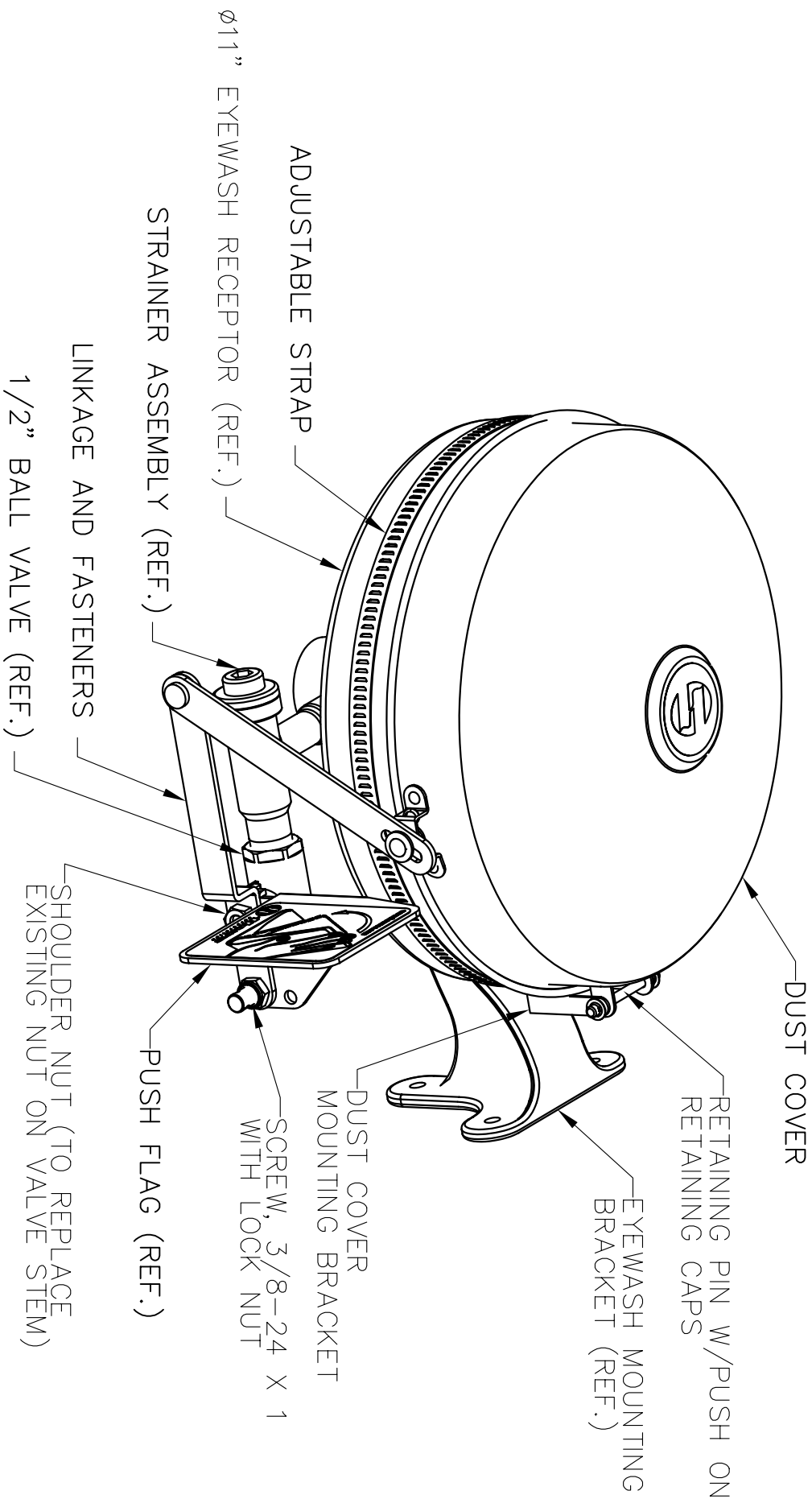
Model 9102 stainless steel dust cover assembly with stainless steel mounting hardware.

APPLICATIONS

Specifically, this dust cover can be used with most Haws models that use a SP90 or SP93 eyewash receptor.

NOTES:

1. EYEWASH RECEPTOR, STRAINER, BALL VALVE, MOUNTING BRACKET, AND PUSH FLAG ARE NOT SUPPLIED AND SHOWN FOR REFERENCE ONLY.



INFO FAX : 1-888-FAX-HAWS (1-888-329-4297)
 1455 Kleppe Ln, Sparks NV, 89431
 Phone: 775-359-4712 Fax: 775-359-7424
 Haws Ag Bohlweg 3 CH-3401 Birsdorf Switzerland
 Haws Mfg Pte Ltd 74 Sungai Kadut Loop Singapore 729531
 e-mail: Haws@hawsco.com website: www.hawsco.com

FORM NO.	REVISED PER DATE	MODEL(S)	PART NUMBER
9102	EON: 3/90 HJ	9102 STAINLESS STEEL DUST COVER	0002080227.D
ISSUE NO	DATE	INFO FAX DOC #	DRAWING NUMBER
02/19/02	02/19/02	29102	0002080227.D
ISSUE NO	DATE	SCALE	SIZE
02/19/02	02/19/02	1:1	A 1 1/2