



# TOWNE

## IN-GROUND POST WITH LUMBER-FINISHED SLATS

The Towne Series decorative refuse container has lumber-finished slats or a functional perforated design. The lumber-finished slats have a natural look to blend with any outdoor environment and the perforated design complements the look of your facility's environment.

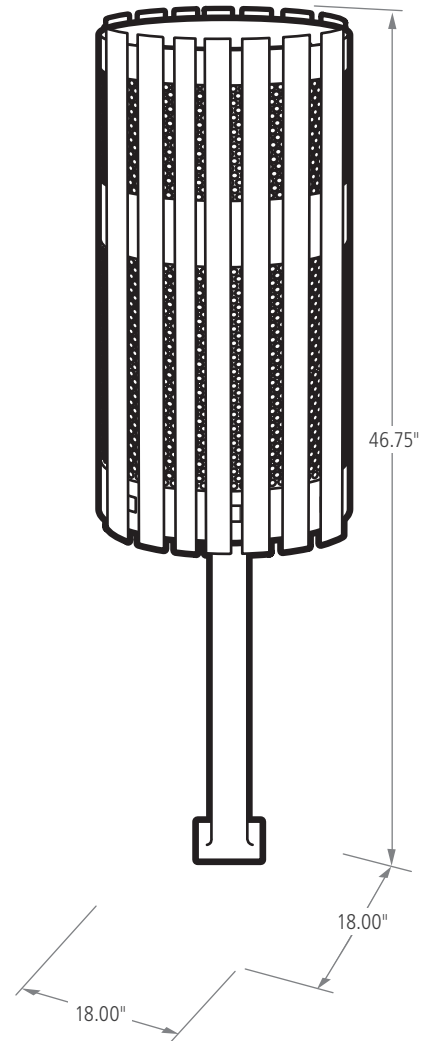
### FEATURES AND BENEFITS:

#### FEATURES

- ▶ Post mount includes in-ground pole
- ▶ Lumber-finished slat style constructed of 100% recycled plastic
- ▶ Durable, heavy-gauge, fire-safe steel is ideal for high-traffic areas
- ▶ Retainer bands discreetly hold liner bags in place



ADA COMPLIANT



GALLONS	LENGTH (in.)	WIDTH (in.)	HEIGHT (in.)
34G	18.00	18.00	46.75

build your own ▶ [rubbermaidcommercial.com/customize](http://rubbermaidcommercial.com/customize)



# TOWNE

IN-GROUND POST WITH LUMBER-FINISHED SLATS

▶ STANDARD COLOR OPTIONS



CEDAR

SKU #	DESCRIPTION	LINER	COLOR	GALLONS	WEIGHT (lbs.)	LENGTH (in.)	WIDTH (in.)	HEIGHT (in.)
FGH12IGC	TOWNE POST MOUNT WITH GROUND POST 128L/34G	RETAINER BANDS	CEDAR	34	61.00	18.00	18.00	46.75

BUILD YOUR OWN ▶ [RUBBERMAIDCOMMERCIAL.COM/CUSTOMIZE](http://RUBBERMAIDCOMMERCIAL.COM/CUSTOMIZE)





# TOWNE

## SURFACE POST WITH LUMBER-FINISHED SLATS

The Towne Series decorative refuse container has lumber-finished slats or a functional perforated design. The lumber-finished slats have a natural look to blend with any outdoor environment and the perforated design complements the look of your facility's environment.

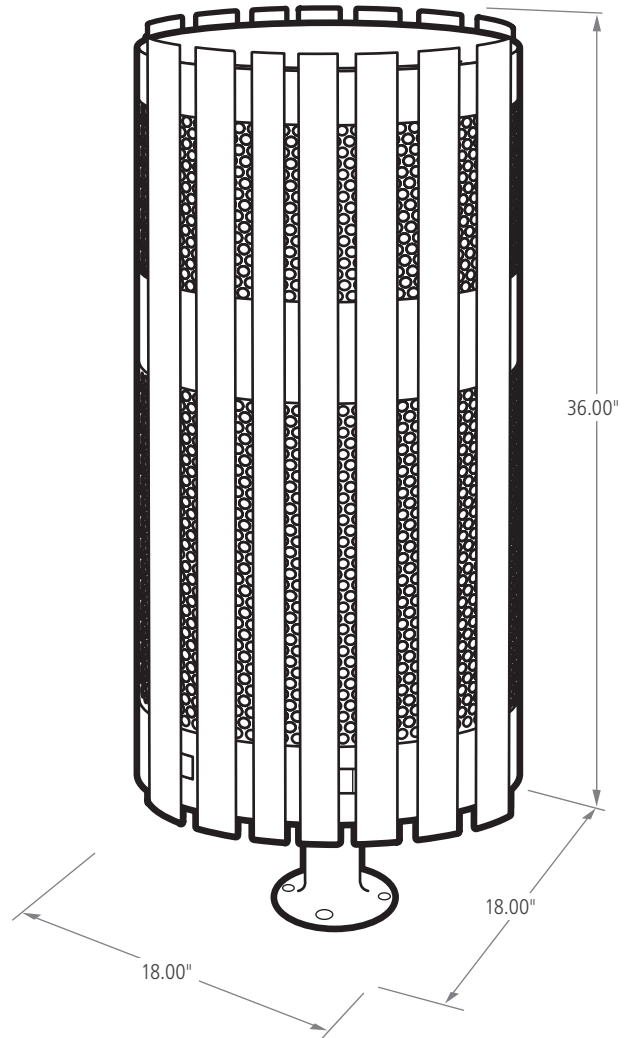
### FEATURES AND BENEFITS:

#### FEATURES

- ▶ Lumber-finished slat style constructed of 100% recycled plastic
- ▶ Durable, heavy-gauge, fire-safe steel is ideal for high-traffic areas
- ▶ Retainer bands discreetly hold liner bags in place



ADA COMPLIANT



GALLONS	LENGTH (in.)	WIDTH (in.)	HEIGHT (in.)
34G	18.00	18.00	36.00

build your own ▶ [rubbermaidcommercial.com/customize](https://rubbermaidcommercial.com/customize)



# TOWNE

SURFACE POST WITH LUMBER-FINISHED SLATS

▶ STANDARD COLOR OPTIONS



CEDAR

SKU #	DESCRIPTION	LINER	COLOR	GALLONS	WEIGHT (lbs.)	LENGTH (in.)	WIDTH (in.)	HEIGHT (in.)
FGH12SMC	TOWNE POST MOUNT WITH SURFACE POST 128L/34G	RETAINER BANDS	CEDAR	34	60.00	18.00	18.00	36.00

BUILD YOUR OWN ▶ [RUBBERMAIDCOMMERCIAL.COM/CUSTOMIZE](http://RUBBERMAIDCOMMERCIAL.COM/CUSTOMIZE)





# TOWNE

## PERFORATED METAL ON POLE

The Towne Series decorative refuse container has lumber-finished slats or a functional perforated design. The lumber-finished slats have a natural look to blend with any outdoor environment and the perforated design complements the look of your facility's environment.

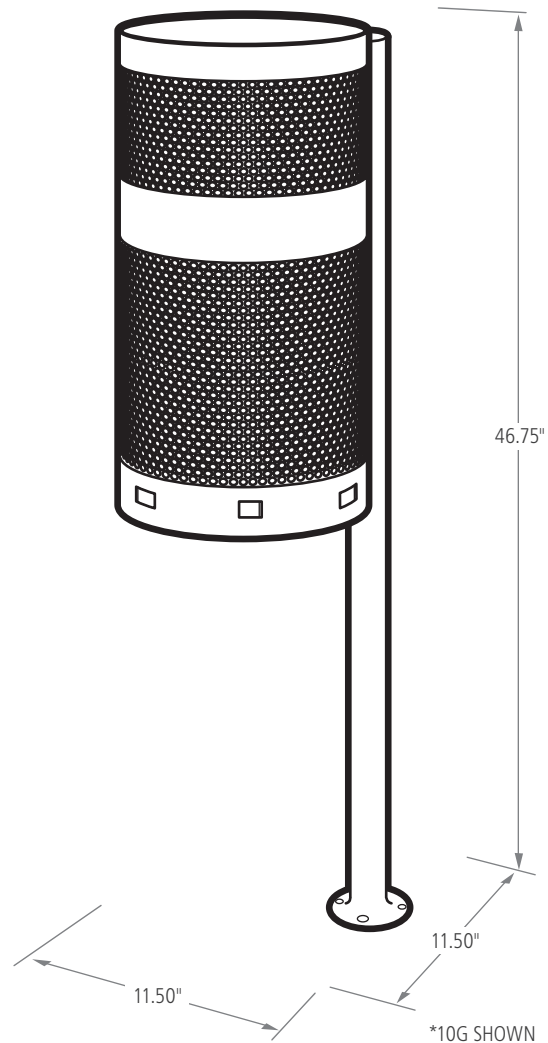
### FEATURES AND BENEFITS:

#### FEATURES

- ▶ Pole mount includes strapping kits for poles
- ▶ The perforated steel style offers see-through design for added security
- ▶ Durable, heavy-gauge, fire-safe steel is ideal for high-traffic areas
- ▶ Retainer bands discreetly hold liner bags in place



ADA COMPLIANT



GALLONS	LENGTH (in.)	WIDTH (in.)	HEIGHT (in.)
10G* (SHOWN)	11.50	11.50	46.75
22G	15.00	15.00	30.00

build your own ▶ [rubbermaidcommercial.com/customize](http://rubbermaidcommercial.com/customize)



# TOWNE

PERFORATED METAL ON POLE

STANDARD COLOR OPTIONS



BLACK  
GLOSS



GREEN  
GLOSS

SKU #	DESCRIPTION	LINER	COLOR	GALLONS	WEIGHT (lbs.)	LENGTH (in.)	WIDTH (in.)	HEIGHT (in.)
FGH1NBK	TOWNE POLE/WALL MOUNT 37L/10G	RETAINER BANDS	BLACK GLOSS	10	15.00	11.50	11.50	46.75
FGH1NEGN	TOWNE POLE/WALL MOUNT 37L/10G	RETAINER BANDS	GREEN GLOSS	10	15.00	11.50	11.50	46.75
FGH1NEGNWITHLID	TOWNE POLE/WALL MOUNT 37L/10G	RETAINER BANDS	GREEN GLOSS	10	15.00	11.50	11.50	46.75
FGH9NBK	TOWNE POLE/WALL MOUNT 83L/22G	RETAINER BANDS	BLACK GLOSS	22	21.00	15.00	15.00	30.00
FGH9NEGN	TOWNE POLE/WALL MOUNT 83L/22G	RETAINER BANDS	GREEN GLOSS	22	21.00	15.00	15.00	30.00
<b>ACCESSORIES</b>								
FGHBRKTKIT	TOWNE SERIES MOUNTING BRACKET KIT FOR FGH1N, FGH9N	N/A	N/A	N/A	N/A	2.00	2.00	46.00
FGHPSM	TOWNE SERIES SURFACE MOUNT POLE W/HARDWARE FOR FGH1N, FGH9N	N/A	N/A	N/A	N/A	24.50	24.50	11.00
FGHPIG	TOWNE SERIES IN-GROUND POLE W/HARDWARE FOR FGH1N, FGH9N	N/A	N/A	N/A	N/A	2.00	2.00	64.00

BUILD YOUR OWN [▶RUBBERMAIDCOMMERCIAL.COM/CUSTOMIZE](https://www.rubbermaidcommercial.com/customize)





# TOWNE

## PERFORATED METAL ON WALL BRACKET

The Towne Series decorative refuse container has lumber-finished slats or a functional perforated design. The lumber-finished slats have a natural look to blend with any outdoor environment and the perforated design complements the look of your facility's environment.

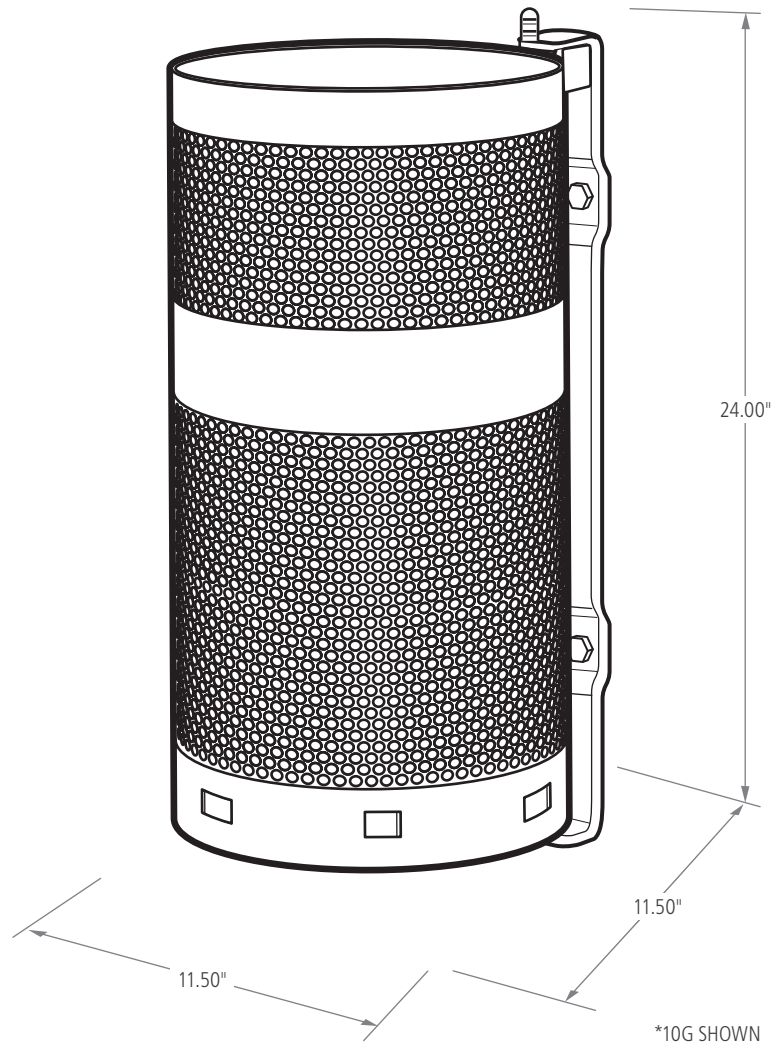
### FEATURES AND BENEFITS:

#### FEATURES

- ▶ The perforated steel style offers see-through design for added security
- ▶ Durable, heavy-gauge, fire-safe steel is ideal for high-traffic areas
- ▶ Retainer bands discreetly hold liner bags in place



ADA COMPLIANT



GALLONS	LENGTH (in.)	WIDTH (in.)	HEIGHT (in.)
10G* (SHOWN)	11.50	11.50	24.00
22G	15.00	15.00	30.00

build your own ▶ [rubbermaidcommercial.com/customize](http://rubbermaidcommercial.com/customize)



# TOWNE

## PERFORATED METAL ON WALL BRACKET

### STANDARD COLOR OPTIONS



BLACK  
GLOSS



GREEN  
GLOSS

SKU #	DESCRIPTION	LINER	COLOR	GALLONS	WEIGHT (lbs.)	LENGTH (in.)	WIDTH (in.)	HEIGHT (in.)
FGH1NBK	TOWNE POLE/WALL MOUNT 37L/10G	RETAINER BANDS	BLACK GLOSS	10	15.00	11.50	11.50	24.00
FGH1NEGN	TOWNE POLE/WALL MOUNT 37L/10G	RETAINER BANDS	GREEN GLOSS	10	15.00	11.50	11.50	24.00
FGH1NEGNWITHLID	TOWNE POLE/WALL MOUNT 37L/10G	RETAINER BANDS	GREEN GLOSS	10	15.00	11.50	11.50	24.00
FGH9NBK	TOWNE POLE/WALL MOUNT 83L/22G	RETAINER BANDS	BLACK GLOSS	22	21.00	15.00	15.00	30.00
FGH9NEGN	TOWNE POLE/WALL MOUNT 83L/22G	RETAINER BANDS	GREEN GLOSS	22	21.00	15.00	15.00	30.00
<b>ACCESSORIES</b>								
FGHBRKTKIT	TOWNE SERIES MOUNTING BRACKET KIT FOR FGH1N, FGH9N	N/A	N/A	N/A	N/A	2.00	2.00	46.00
FGHPSM	TOWNE SERIES SURFACE MOUNT POLE W/HARDWARE FOR FGH1N, FGH9N	N/A	N/A	N/A	N/A	24.50	24.50	11.00
FGHPIG	TOWNE SERIES IN-GROUND POLE W/HARDWARE FOR FGH1N, FGH9N	N/A	N/A	N/A	N/A	2.00	2.00	64.00

BUILD YOUR OWN [▶RUBBERMAIDCOMMERCIAL.COM/CUSTOMIZE](http://RUBBERMAIDCOMMERCIAL.COM/CUSTOMIZE)







# TOWNE

## PERFORATED METAL

The Towne Series decorative refuse container has lumber-finished slats or a functional perforated design. The lumber-finished slats have a natural look to blend with any outdoor environment and the perforated design complements the look of your facility's environment.

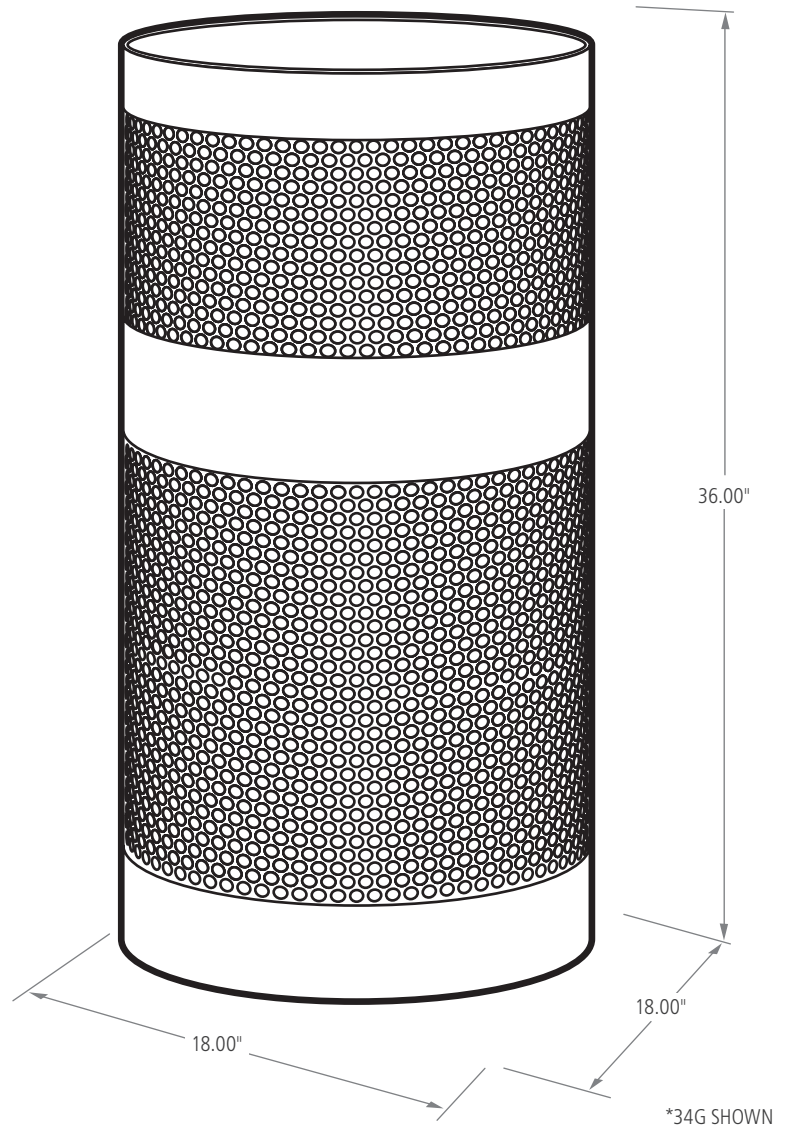
### FEATURES AND BENEFITS:

#### FEATURES

- ▶ The perforated steel style offers see-through design for added security
- ▶ Durable, heavy-gauge, fire-safe steel is ideal for high-traffic areas



ADA COMPLIANT



GALLONS	LENGTH (in.)	WIDTH (in.)	HEIGHT (in.)
34G* (SHOWN)	18.00	18.00	36.00
63G	24.00	24.00	36.00

build your own ▶ [rubbermaidcommercial.com/customize](http://rubbermaidcommercial.com/customize)



# TOWNE

PERFORATED METAL

▶ STANDARD COLOR OPTIONS



BLACK  
GLOSS



GREEN  
GLOSS

SKU #	DESCRIPTION	LINER	COLOR	GALLONS	WEIGHT (lbs.)	LENGTH (in.)	WIDTH (in.)	HEIGHT (in.)
FGH3BK	TOWNE FREESTANDING 128L/34G	RETAINER BANDS	BLACK GLOSS	34	31.00	18.00	18.00	36.00
FGH3EGN	TOWNE FREESTANDING 128L/34G	RETAINER BANDS	GREEN GLOSS	34	31.00	18.00	18.00	36.00
FGH55BK	TOWNE FREESTANDING 238L/63G	RETAINER BANDS	BLACK GLOSS	63	51.00	24.00	24.00	36.00
FGH55EEGN	TOWNE FREESTANDING 238L/63G	RETAINER BANDS	GREEN GLOSS	63	51.00	24.00	24.00	36.00

BUILD YOUR OWN ▶ [RUBBERMAIDCOMMERCIAL.COM/CUSTOMIZE](http://RUBBERMAIDCOMMERCIAL.COM/CUSTOMIZE)





# TOWNE

PERFORATED METAL WITH LUMBER-FINISHED SLATS

The Towne Series decorative refuse container has lumber-finished slats or a functional perforated design. The lumber-finished slats have a natural look to blend with any outdoor environment and the perforated design complements the look of your facility's environment.

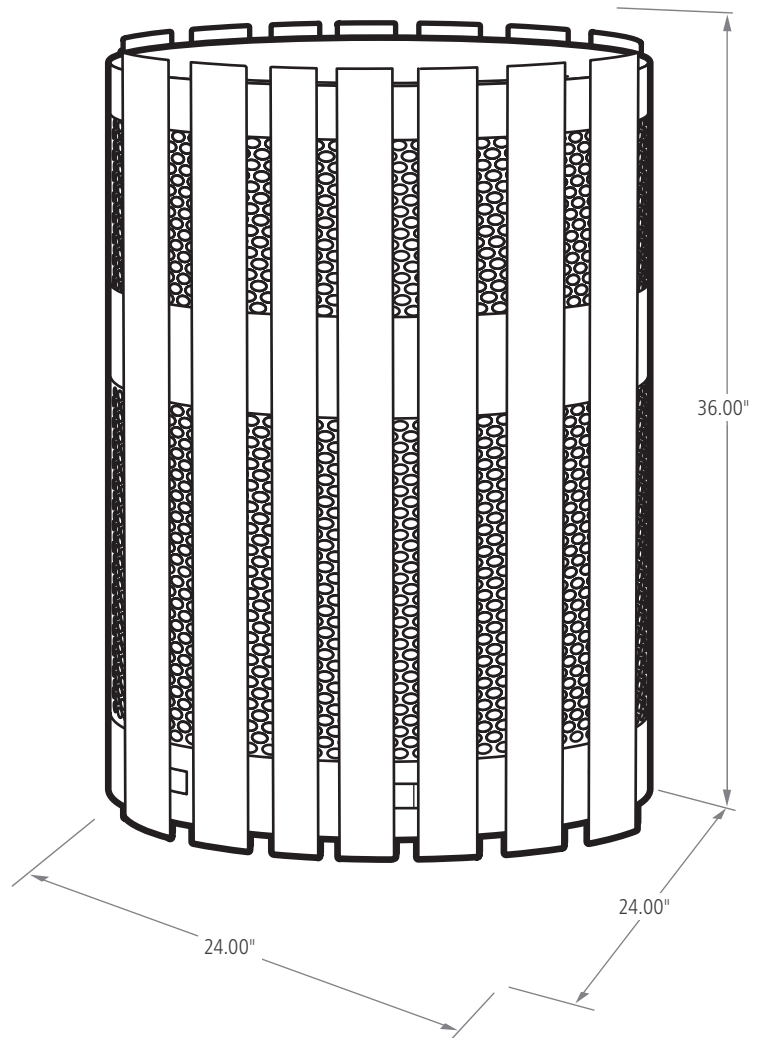
## FEATURES AND BENEFITS:

### FEATURES

- ▶ Lumber-finished slat style constructed of 100% recycled plastic
- ▶ Durable, heavy-gauge, fire-safe steel is ideal for high-traffic areas



ADA COMPLIANT



GALLONS	LENGTH (in.)	WIDTH (in.)	HEIGHT (in.)
63G	24.00	24.00	36.00

build your own ▶ [rubbermaidcommercial.com/customize](http://rubbermaidcommercial.com/customize)



# TOWNE

PERFORATED METAL WITH LUMBER-FINISHED SLATS

▶ STANDARD COLOR OPTIONS



CEDAR

SKU #	DESCRIPTION	LINER	COLOR	GALLONS	WEIGHT (lbs.)	LENGTH (in.)	WIDTH (in.)	HEIGHT (in.)
FGH55C	TOWNE FREESTANDING 238L/63G	RETAINER BANDS	CEDAR	63	70.00	24.00	24.00	36.00

BUILD YOUR OWN ▶ [RUBBERMAIDCOMMERCIAL.COM/CUSTOMIZE](http://RUBBERMAIDCOMMERCIAL.COM/CUSTOMIZE)

