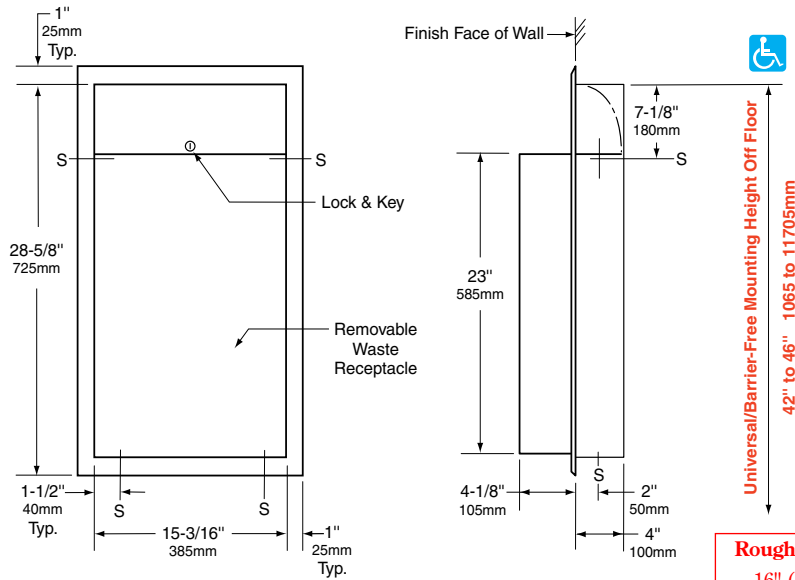




# Technical Data

# RECESSED WASTE RECEPTACLE FOR 4" (102mm) WALLS

# B-3644



**Rough Wall Opening**  
 16" (405mm) wide  
 29-1/4" (745mm) high  
 4" (102mm) minimum  
 recessed depth

### MATERIALS:

**Cabinet** — 18-8 S, type-304, heavy-gauge stainless steel. All-welded construction. Exposed surfaces have satin finish.

**Flange** — 18-8 S, type-304, 22-gauge (0.8mm) stainless steel with satin finish. Drawn and beveled, one-piece, seamless construction.

**Waste Receptacle** — 18-8 S, type-304, 22-gauge (0.8mm) stainless steel with satin finish. Front and side edges of bottom and all top edges are hemmed for safe handling. Secured to cabinet with a tumbler lock keyed like other Bobrick washroom accessories. Equipped with interior hooks for optional vinyl liner. Capacity: 12-gal. (45.4-L).

### OPERATION:

To empty waste receptacle, unlock with key provided. Liner cannot be removed unless waste receptacle is unlocked from cabinet. Reusable vinyl liners are available as an optional accessory: order Bobrick Part No. 3944-12.

After unit is in use, if greater capacity waste receptacle is needed, an 18-gal. (68.1-L) capacity waste container can be substituted; order Bobrick Part No. 368-60 Waste Receptacle and Part No. 368-16 Vinyl Liner.

### INSTALLATION:

Provide framed rough wall opening 16" wide x 29-1/4" high (405 x 745mm). Minimum recessed depth required to finish face of wall is 4" (102mm). Allow clearance for construction features that may protrude into rough wall opening from opposite wall. Coordinate with mechanical engineer to avoid pipes, vents, and conduits. If unit projects above top of wainscot, provide aluminum channel or other filler to eliminate gap between flange and finish face of wall. Mount unit in wall opening with shims between framing and cabinet at all points indicated by an S, then secure unit with sheet-metal screws (not furnished).

### SPECIFICATION:

Recessed waste receptacle shall be type-304 stainless steel with all-welded construction; exposed surfaces shall have satin finish. Flange shall be drawn and beveled, one-piece, seamless construction. Removable waste receptacle shall be secured to cabinet with a tumbler lock keyed like other Bobrick washroom accessories, have front and side edges of bottom and all top edges hemmed for safe handling, and shall have a minimum capacity of 12-gal. (45.4-L). Manufacturer's service and parts manual shall be provided to the building owner/manager upon request.

**Recessed Waste Receptacle shall be Model B-3644 of Bobrick Washroom Equipment, Inc., Clifton Park, New York; Jackson, Tennessee; Los Angeles, California; Bobrick Washroom Equipment Company, Scarborough, Ontario; Bobrick Washroom Equipment Pty. Ltd., Australia; and Bobrick Washroom Equipment Limited, United Kingdom.**