

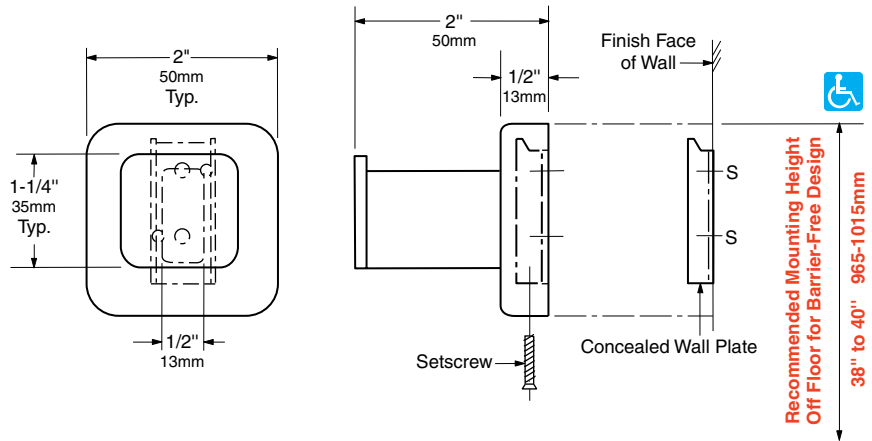


# Technical Data

# ClassicSeries™ SURFACE-MOUNTED SINGLE ROBE HOOK

# B-671 B-6717

Specify Model Required:  Model B-671 Bright polished stainless steel  
 Model B-6717 Satin-finish stainless steel



### MATERIALS:

**Flange and Support Arm** — 18-8 S, type-304, 22-gauge (0.8mm) stainless steel. Concealed, 16-gauge (1.6mm) stainless steel mounting bracket. All-welded construction. Secured to wall plate with stainless steel setscrew.

**Concealed Wall Plate** — 18-8 S, type-304, 16-gauge (1.6mm) stainless steel.

**Cap** — 18-8 S, type-304, 10-gauge (3.6mm) stainless steel. Welded to support arm.

### INSTALLATION:

To remove concealed wall plate from back of flange and mounting bracket, loosen setscrew. Mount wall plate so prongs are at top; secure with two sheet-metal screws, furnished by manufacturer, at points indicated by an S. Engage mounting bracket onto prongs of wall plate, then secure into position by tightening setscrew at bottom of flange.

For partitions with particle-board or other solid core, secure with sheet-metal screws furnished, or provide through-bolts, nuts, and washers.

For hollow-core metal partitions, provide solid backing into which the furnished sheet-metal screws can be secured.

For masonry wall, provide fiber plugs or expansion shields for use with sheet-metal screws furnished, or provide 1/8" (3mm) toggle bolts or expansion bolts.

For plaster or dry wall construction, provide concealed backing to comply with local building codes, then secure unit with sheet-metal screws furnished.

### SPECIFICATION:

Surface-mounted robe hook shall be type-304 stainless steel with \_\_\_\_\_ (insert one: bright polished, bright polished brass, or satin) finish. Flange shall be 22 gauge (0.8mm) and equipped with concealed, 16-gauge (1.6mm) mounting bracket that is secured to concealed, 16-gauge (1.6mm) wall plate with a stainless steel setscrew. Cap shall be 10 gauge (3.6mm), welded to support arm. Manufacturer's service and parts manual shall be provided to the building owner/manager upon request.

**Surface-Mounted Robe Hook shall be Model \_\_\_\_\_ (insert model number) of Bobrick Washroom Equipment, Inc., Clifton Park, New York; Jackson, Tennessee; Los Angeles, California; Bobrick Washroom Equipment Company, Scarborough, Ontario; Bobrick Washroom Equipment Pty. Ltd., Australia; and Bobrick Washroom Equipment Limited, United Kingdom.**