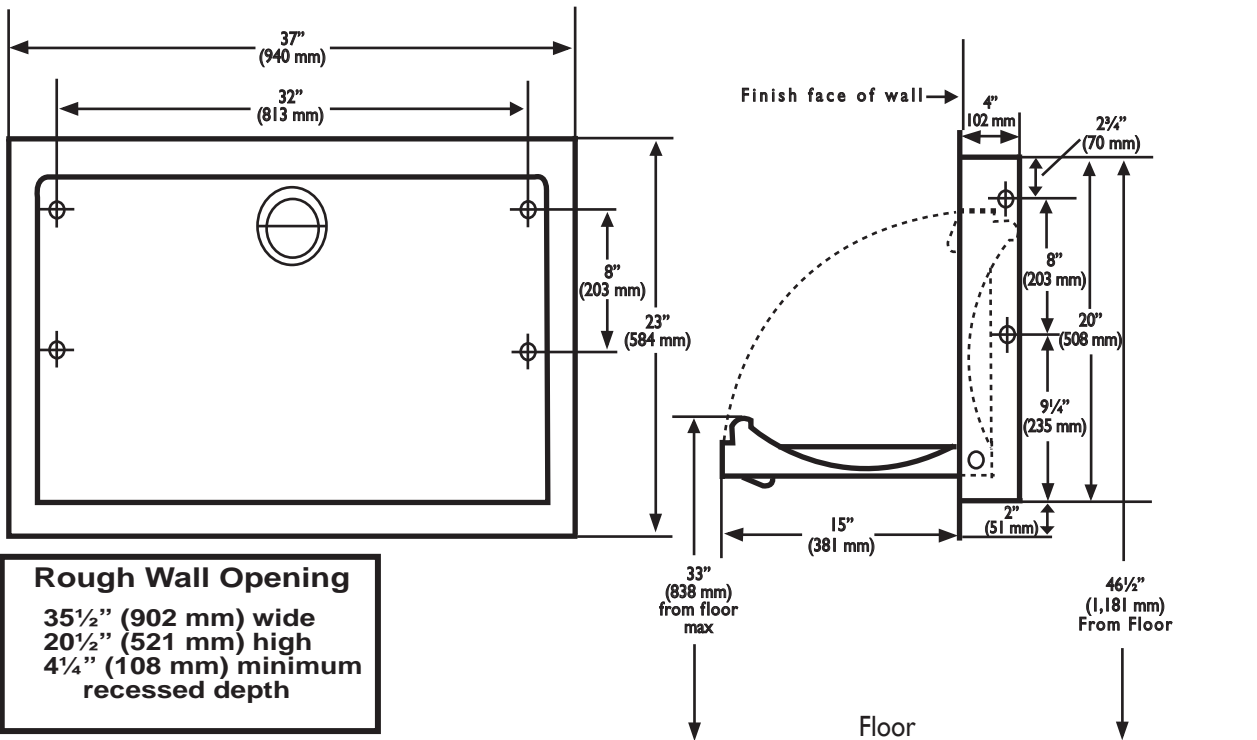


# KOALA KARE PRODUCTS

## KB110-SSRE HORIZONTAL RECESSED MOUNTED STAINLESS STEEL FINISH BABY CHANGING STATION



## **MATERIALS:**

18 gauge, type 304 satin stainless steel exterior finish with FDA approved blow molded high-density grey polyethylene with Microban® antimicrobial interior. Reinforced full-length steel-on-steel hinge mechanism, with 11-gauge steel mounting plates and mounting hardware included. Molded in graphics and safety messages in six languages. Contoured changing surface area is 442 sq. in (2851 sq. cm) and comes complete with nylon safety straps and bag hooks.

## **OPERATION:**

Concealed pneumatic cylinder and hinge structure provides controlled, slow opening and closing of bed. High-density polyethylene is easy to clean and resists odors and bacterial growth. Complies with ASTM static load performance requirements when properly installed. Built-in liner dispenser holds approximately 25 KB150-99 sanitary liners.

Warning: To ensure that the unit supports the intended loads, baby changing stations must be properly installed according to the manufacturer's instructions.

## **SPECIFICATION:**

Baby changing station body shall have 18 gauge, type 304 satin stainless steel exterior finish with high-density grey polyethylene interior. Design of unit shall be recess-mounted. Unit shall be equipped with a pneumatic cylinder for controlled opening and closing of bed. Bed shall be secured to back plate with a concealed, full-length steel-on-steel hinge. Unit shall have Microban® antimicrobial embedded into plastic material. No hinge structure shall be exposed on interior or exterior surfaces. Unit shall have 11-gauge steel mounting plates with mounting hardware included. Unit shall conform to ICC A117.1-2009 Accessible and Usable Buildings and Facilities, ASTM F 2285-04 Standard Consumer Safety Performance Specification for Diaper Changing Tables for Commercial Use, ANSI Z535.4 Product Safety Signs and Labels, and ASTM G21 Antifungal Standards or local code if more stringent installation requirements are applicable for barrier-free accessibility. Unit shall comply with ADA regulations when properly installed. Bed shall have smooth concave changing area with a nylon safety strap and two hooks for bags or purses. Unit shall have a built-in Liner Dispenser for use with 3-ply chemical free biodegradable sanitary liners, universal instruction graphics and safety messages in 6 languages. Unit shall be backed by manufacturer's 5-year limited warranty on materials and workmanship and include a provision for replacement caused by vandalism. Unit shall be manufactured in the U.S.A.

## INSTALLATION:

To ensure proper installation and compliance to building codes, it is recommended that a qualified person or carpenter perform the installation of the unit. The unit must be properly installed onto a permanent wall that is capable of supporting significant weight, and can accommodate the supplied installation hardware. The Koala Baby Changing Station meets ADA regulations when properly installed.

1. Remove changing station from the shipping container and check for any freight damage. Identify the best location for installing the unit. Hold the unit in place and open the bed. Make sure you have taken the operating clearance into consideration.

2. Select the wall area where the unit will be installed. Measure from the floor  $46\frac{1}{2}$ " (1118 mm) on stud center and mark the wall. Hold the unit in place to verify the alignment. Mark rough opening  $35\frac{1}{2}$ " W x  $20\frac{1}{2}$ " H (902 mm x 521 mm) and cut a hole in the wall with a minimum depth of  $4\frac{1}{4}$ " (108 mm) as measured from the finished surface of the wall (ie: tile, drywall, etc). Construct mounting frame as indicated in the illustration. If the wall surface is masonry or tile over wood studs, use caution when cutting rough opening.

3. The unit will be mounted using four  $\frac{1}{4}$ " x 3" wood screws through side holes as shown in illustration.

4. Place the unit into the recessed area and insert the screws and flat washers to hold the unit in place. It may be necessary to adjust the level of unit by using a shim on the top right or left side of the unit before tightening securely to the studs.

*The illustrations and descriptions herein are applicable to production as of the date of this Technical Data Sheet. The manufacturer reserves the right to, and does from time to time, make changes and improvements in designs and dimensions without notice.*

