

AIRSPEED™ AND NO TOUCH™ HAND DRYERS



AIRSPEED™ MODEL WA
with Recessing Kit



AIRSPEED™ MODEL WA
Surface Mounted



NO TOUCH™ MODEL NT
Surface Mounted

FACTS

- Saves up to 95% of paper towel costs*
- Reduces maintenance costs, vandalism and mess associated with paper towels*
- Saves trees from becoming paper towels*
- Reduces burden on clogged landfills*
- Uses less energy and produces fewer greenhouse gases than the production of paper towels*


FEATURES

- Quiet induction brushless motor, no need to replace brushes*
- Tamper resistant screws lock cover securely to base*
- Resilient motor mounting rings and factory-lubricated, self-aligning bearings for long motor life*
- Dynamically balanced blower wheel for vibration-free running*
- Heating element is side-mounted at blower air inlet, designed for maximum heat transfer, with auto shut-off safety features controlled by an internal thermostat*
- Designed for light traffic or noise sensitive areas*

WARRANTY

5 year limited

AIRSPEED™ AND NO TOUCH™ SPECIFICATIONS

Airspeed™ and No Touch™ hand dryers shall be manufactured by or for World Dryer Corporation® to include housing of .08" thick die cast aluminum. Front panel shall be in ebony gloss for the NoTouch™ and brushed aluminum for the Airspeed™. Housing to be finished with chrome plating or white epoxy paint. Motor shall be of shaded pole (brushless) type operating at maximum 3200 RPM at rated load, delivering 98 cubic feet per minute of air volume (5300 LFM). Timer shall be electromechanical cam style with 25 amp rated switch to operate dryer for 30 seconds on push button units. No Touch™ dryers shall be activated by means of an infrared emitting/receiving electronic control device. Recessed kits will include a 16 gauge steel wall-mounting box. Hand dryers shall be listed under reexamination service of Underwriters Laboratories, Inc. 

SPECIFIER'S APPROVAL

Job _____	Date _____
Model Number _____	Housing Option _____
Quantity _____	Recess Kit (KNTR-973) _____
Variations _____	
Customer/Wholesaler _____	
Contractor _____	
Architect/ Engineer _____	

Electronic specifications available online: www.worlddryer.com/specs



ELECTRICAL SPECIFICATIONS

MODEL NUMBER		ELECTRICAL			
		Volts	Amps	Watts	Freq
Airspeed Push button	No Touch Automatic	120	17	2000	60 Hz
WA126	NT126	208/240	8.5	2000	60 Hz
WA246	NT246	120	13	1500	60 Hz
WA126-2	---	230	8	1800	50 Hz
WA235*	NT235*				

* Export Models only

PLANNING GUIDE

RECESS KITS

In order to recess dryers, specify a recess kit in addition to the dryer. Includes steel mounting box with chrome trim. Specify Kit: KNTR-973

QUANTITY ESTIMATE

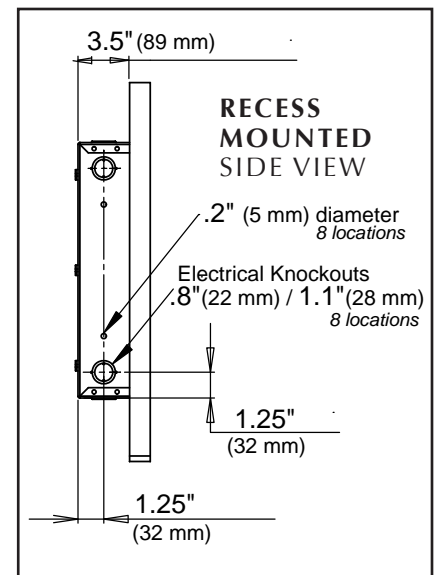
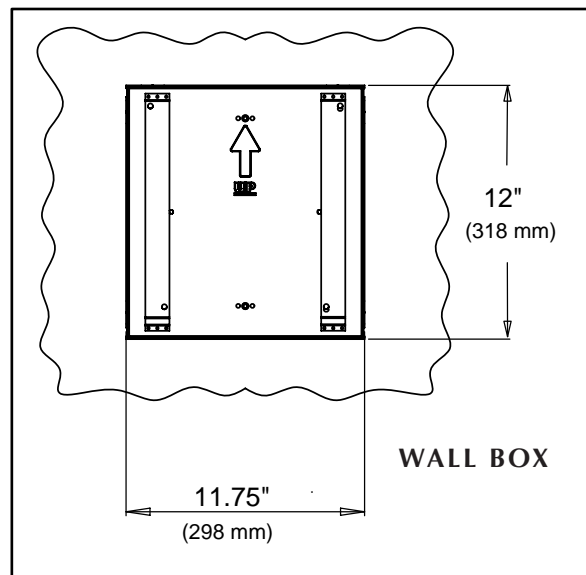
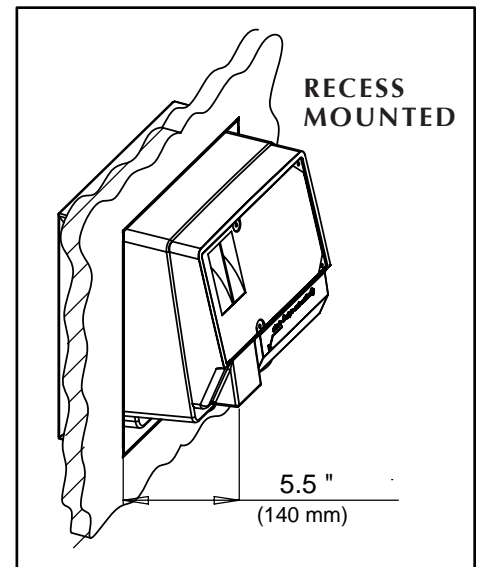
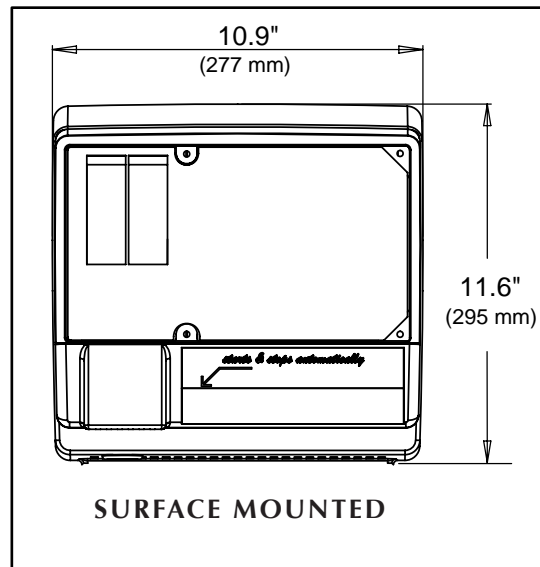
Average traffic:
1 dryer per 2 washbasins
Heavy traffic:
1 dryer per washbasin
54" Bradley sink:
4 dryers per sink

INSTALLATION

Hand dryers require a dedicated 20 AMP circuit, and must be properly grounded. GFI circuit protection is recommended. One side of dryer should be mounted to a stud.

DRYER PLACEMENT

Hand dryers should be placed at least 2 feet apart, near but not over the washbasin. In congested areas dryers should be placed to create a traffic flow from wash basin to dryer to exit. Automatic dryers should be placed more than 18" above or away from projections, which may interfere with the operation of the automatic sensor.



Drawings not to scale

ORDERING INFORMATION

When specifying and/or ordering hand dryer include the model number with the cover option. (ie. WA126-002)

COVER OPTIONS

MODEL	Chrome	White
Airspeed™	001	002
No Touch™	004	005



MODEL WA™
White Housing



MODEL NT™
Chrome Housing

MOUNTING HEIGHTS

	Surface	Recessed
Men	46" (117cm)	42" (107cm)
Women	44" (112cm)	40" (102cm)
Children ages 3-7	32" (81cm)	28" (71cm)
Children ages 8-10	36" (91cm)	32" (81cm)
Children ages 11-13	40" (102cm)	36" (91cm)
Children ages 14-17	44" (116cm)	40" (102cm)
Disabled	37" (94cm)	34" (86cm)

Measured from floor to the bottom of the unit

MEASUREMENTS

MOUNTING STYLE	UNIT MEASUREMENTS	SHIPPING WEIGHT	SHIPPING DIMENSIONS
Surface	10-29/32" W x 11-5/8" H x 7-1/2" D	22 lbs	13" L x 12" W x 9-1/2" H
with Optional Recessed Kit	12-3/4" W x 13-1/2" H x 5-1/2" D	31 lbs	16" L x 15" W x 14" H