



Haws[®]

model **7360B-7460B**

AXION MSR™ Eye/Face Wash

FEATURES & BENEFITS

STRAINERS/FILTERS

Chrome-plated brass in-line 50 x 50 mesh water strainer prevents debris from reaching the eyewash so the unit stays functioning at its best. Strainer is easily serviceable.

QUALITY CONTROL

Eye/face wash and valve assembly is pre-built and fully water/pressure tested to ensure no leaks and proper function which ultimately reduces installation time and gives the end contractor an added peace of mind. Unit also ships with pre-assembled cast-aluminum wall bracket to assist in the installation process.

EYE/FACE WASH

AXION MSR™; eye/face wash head (patent pending) uses an inverted directional laminar flow to sweep contaminants away from the vulnerable nasal cavity.

BOWL

The 11" (27.9 cm) round stainless steel receptor is supplied with a No. 2L bright finish on its exterior, and a satin finish inside.



OPTIONS

- ❑ Trap: Model SP95 chrome-plated brass trap with tailpiece, 1-1/2" IPS.
- ❑ Foot Treadle: Model SP220W wall mounted foot control assembly, including powder-coated aluminum treadle and wall bracket for hands free activation of eyewash.
- ❑ Tempered Water Blending Systems: Model TWBS.EW.H, prepackaged instantaneous electrical water heater, 480 VAC/3 phase/20 KW, fully engineered and tested system with fail-safe features to produce up to 6 gpm (22.7 L) tempered water for eye washes.
- ❑ Tempered Water Blending Systems: Model TWBS.EWE Lead-free Emergency Valve thermostatically mixes hot and cold water to provide a safe fluid supply for emergency eyewash equipment, with a flow rate of 12 gpm (45.4 L).

To see all options for this model, visit www.hawesco.com

SPECIFICATIONS

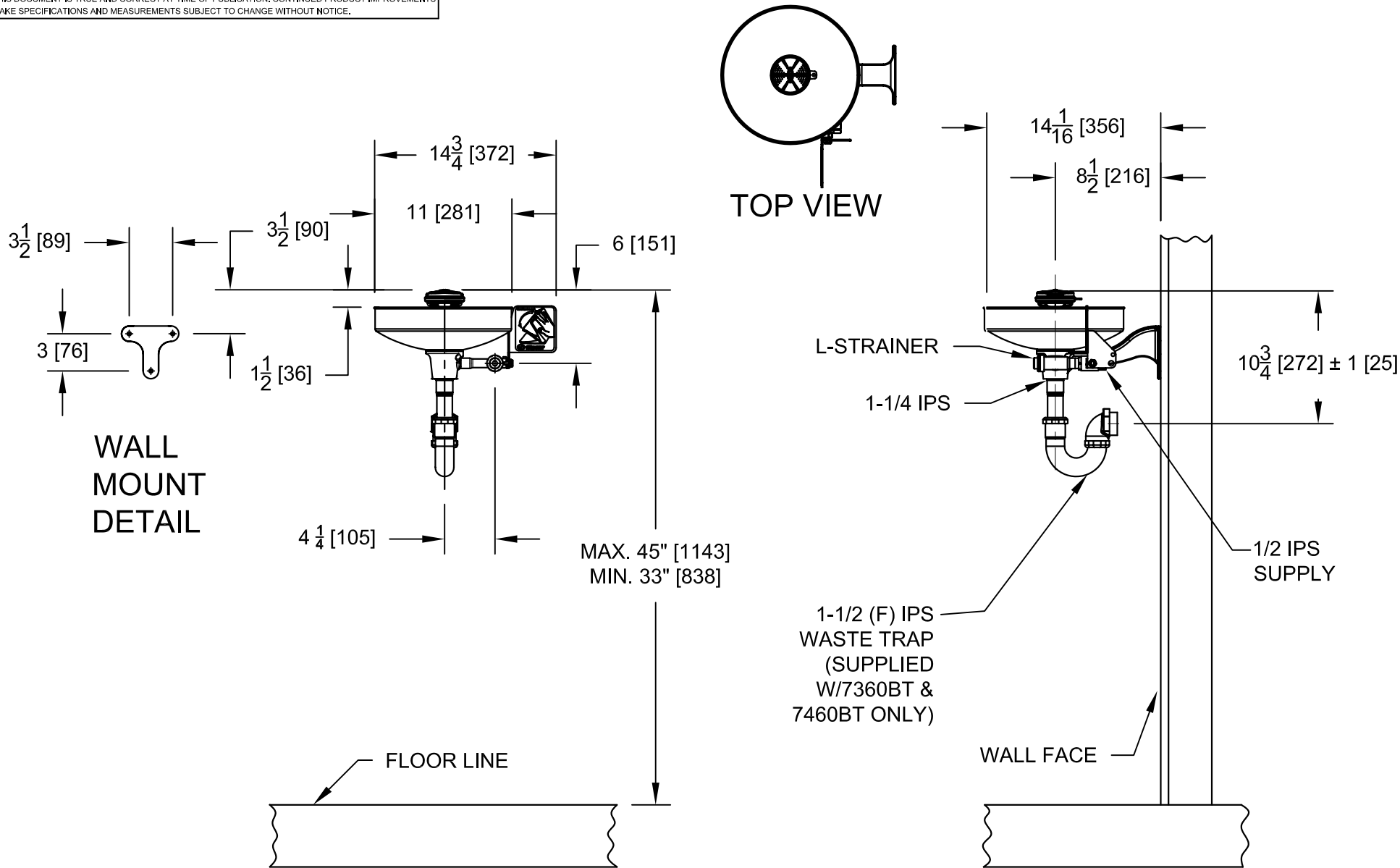
Model 7360B-7460B wall mounted eye/face wash shall include a stainless steel 11" (27.9 cm) round bowl, an AXION MSR™ eye/face wash head shall feature inverted directional laminar flow which achieves zero vertical velocity supplied by an integral flow control, chrome-plated brass stay-open ball valve equipped with stainless steel ball and stem, and chrome-plated brass in-line 50 x 50 mesh water strainer. Unit shall also include cast-aluminum chromate protected wall bracket, yellow plastic pop-off dust cover for eyewash head, universal sign, 1/2" IPS inlet, and 1-1/4" IPS waste.

APPLICATIONS

Where the eyes and face of any person may be exposed to injurious or corrosive materials, suitable facilities for quick flushing of the eyes and face must be provided within the work area for immediate emergency use. Emergency eye/face wash facilities shall be in unobstructed and accessible locations that require no more than 10 seconds for the injured person to reach.

Model 7360B-7460B is certified by CSA to meet the ANSI Z358.1 Standard for Emergency Eyewash and Shower Equipment.





NOTES:

- METRIC DIMENSIONS ARE IN BRACKETS [X].
- TO COMPLY WITH ANSI Z358.1-2009 FOR EMERGENCY EYEWASH OR EYE/FACE WASH:
 - UNIT SHALL BE INSTALLED IN ACCORDANCE WITH MANUFACTURER'S INSTRUCTIONS AND ACCEPTABLE PLUMBING PRACTICES.
 - EYEWASH OR EYE/FACE WASH SHALL BE POSITIONED WITH NOZZLES NOT LESS THAN 83.8 CM (33 IN.) AND NO GREATER THAN 114.3 CM (45 IN.) FROM SURFACE ON WHICH USER STANDS AND 15.3 CM (6 IN.) MINIMUM FROM WALL OR NEAREST OBSTRUCTION.
- DIMENSIONS MAY VARY BY $\pm 1/2$ [13].

		1455 KLEPPE LANE SPARKS, NEVADA 89431 (775) 359-4712 FAX (775) 359-7424 E-MAIL: HAWS@HAWS.CO.COM WEBSITE: WWW.HAWS.CO.COM	
		ECN NO: 4110 DRAWN: SLS APPROVED:	REVISED PER: ECN: 4367 DATE: 4-28-08 DATE:
PART NUMBER: 0002080042.D		DRAWING NUMBER: 08808A00	
REV: 10		SIZE: A SHEET 1 OF 1	



Haws[®]

model **7260B-7270B**

AXION MSR™ Eye/Face Wash

FEATURES & BENEFITS

STRAINERS/FILTERS

Chrome-plated brass in-line 50 x 50 mesh water strainer prevents debris from reaching the eyewash so the unit stays functioning at its best. Strainer is easily serviceable.

QUALITY CONTROL

Eye/face wash and valve assembly is pre-built and fully water/pressure tested to ensure no leaks and proper function which ultimately reduces installation time and gives the end contractor an added peace of mind. Unit also ships with pre-assembled cast-aluminum wall bracket to assist in the installation process.

EYE/FACE WASH

AXION MSR™; eye/face wash head (patent pending) uses an inverted directional laminar flow to sweep contaminants away from the vulnerable nasal cavity.

BOWL

The 11" (27.9 cm) round green ABS plastic receptor is resistant to damage from alkalis, salt solutions, oils and most acids.



OPTIONS

- ❑ Trap: Model SP95 chrome-plated brass trap with tailpiece, 1-1/2" IPS.
- ❑ Foot Treadle: Model SP220W wall mounted foot control assembly, including powder-coated aluminum treadle and wall bracket for hands free activation of eyewash.
- ❑ Tempered Water Blending Systems: Model TWBS.EW.H, prepackaged instantaneous electrical water heater, 480 VAC/3 phase/20 KW, fully engineered and tested system with fail-safe features to produce up to 6 gpm (22.7 L) tempered water for eye washes.
- ❑ Tempered Water Blending Systems: Model TWBS.EWE Lead-free Emergency Valve thermostatically mixes hot and cold water to provide a safe fluid supply for emergency eyewash equipment, with a flow rate of 12 gpm (45.4 L).

To see all options for this model, visit www.hawesco.com

SPECIFICATIONS

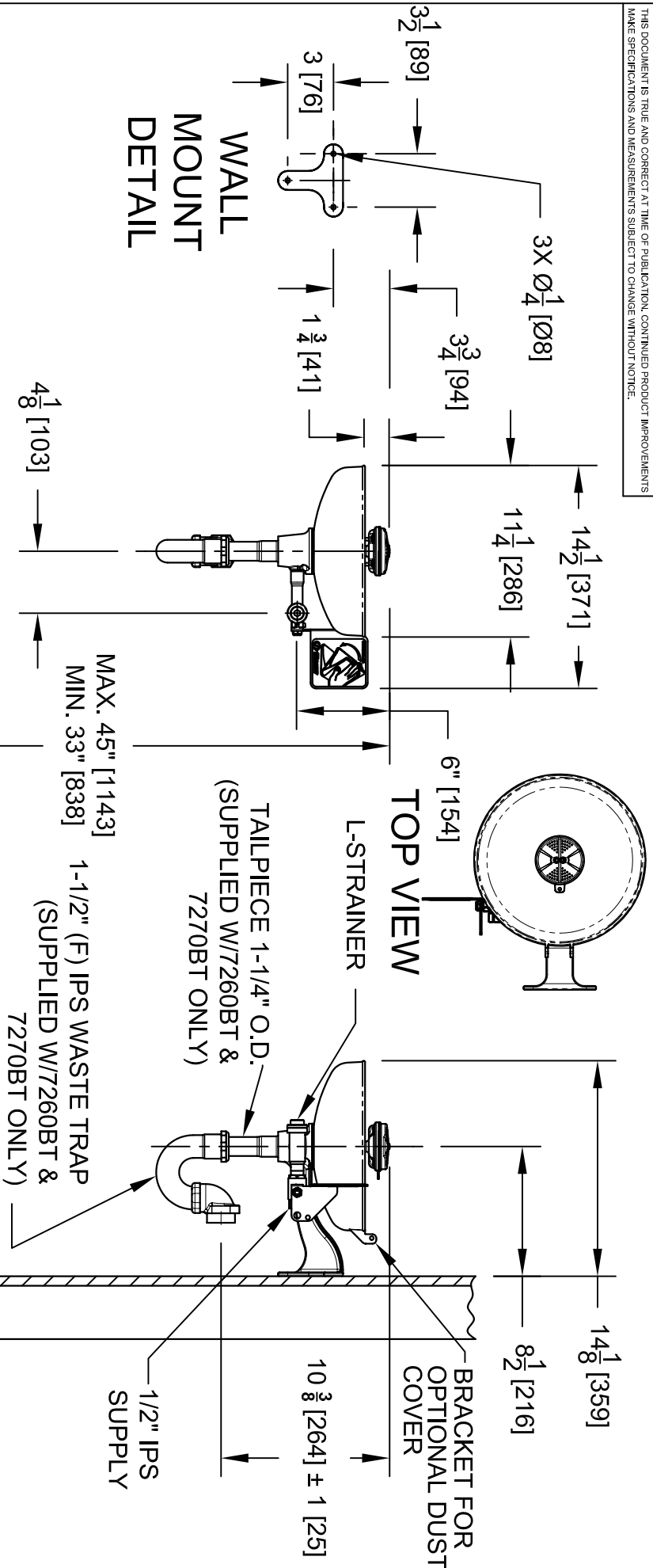
Model 7260B-7270B wall mounted eye/face wash shall include a green ABS plastic 11" (27.9 cm) bowl, an AXION MSR™ eye/face wash head shall feature inverted directional laminar flow which achieves zero vertical velocity supplied by an integral flow control, chrome-plated brass stay-open ball valve equipped with stainless steel ball and stem, and chrome-plated brass in-line 50 x 50 mesh water strainer. Unit shall also include cast-aluminum chromate protected wall bracket, yellow plastic pop-off dust cover for eyewash head, universal sign, 1/2" IPS inlet, and 1-1/4" IPS waste.

APPLICATIONS

Where the eyes of any person may be exposed to injurious or corrosive materials, suitable facilities for quick flushing and cleansing of the eyes must be provided within the work area for immediate emergency use. Emergency eyewash facilities shall be in unobstructed and accessible locations that require no more than 10 seconds for the injured person to reach.

Model 7260B-7270B is certified by CSA to meet the ANSI Z358.1 Standard for Emergency Eyewash and Shower Equipment.





NOTES:

1. METRIC DIMENSIONS ARE IN BRACKETS [X].

2. TO COMPLY WITH ANSI Z358.1-2009 FOR EMERGENCY EYEWASH OR EYEFACE WASH:

- UNIT SHALL BE INSTALLED IN ACCORDANCE WITH MANUFACTURER'S INSTRUCTIONS AND ACCEPTABLE PLUMBING PRACTICES.
- EYEWASH OR EYEFACE WASH SHALL BE POSITIONED WITH NOZZLES NOT LESS THEN 83.8 CM (33 IN.) AND NO GREATER THAN 114.3 CM (45 IN.) FROM SURFACE ON WHICH USER STANDS AND 15.3 CM (6 IN.) MINIMUM FROM WALL OR NEAREST OBSTRUCTION.

3. DIMENSIONS MAY VARY BY ± 1/2 [13].

Haws Corporation

1455 KLEPPE LANE
SPARKS, NEVADA 89431
(775) 359-4712 FAX (775) 359-7424
E-MAIL: HAWS@HAWSCCO.COM
WEBSITE: WWW.HAWSCCO.COM

FIGURE: 4161	REVISION: ECH, 4/87	DATE: 5-1-08	APPROVER: SLS	MODEL(S): 7260BT/7270B, 7260BT/7270BT	INFO FAX DOC #: 272602, 272602B, 272702, 272702B	DATE: 10/2008	SIZE: A
0002080038.D	15344A00	14	1 OF 1				