

## FEATURES & BENEFITS

### AUDIBLE/VISUAL

Notification of an emergency is clearly noticeable with a brightly flashing amber light, and easily recognizable with a 90 db buzzer. Buzzer can be silenced during testing by use of the silencing switch.

### FLEXIBILITY

The alarm is easily placed in a number of mounting configurations with the supplied pipe clamp.

### FLOW SWITCH

The alarm is activated by a 1/2" IPS brass double pole, double throw flow switch that is supplied with an extra set of electrical contacts for remote alarm hook-up.



## OPTIONS

To see all options for this model, visit [www.hawasco.com](http://www.hawasco.com)

## SPECIFICATIONS

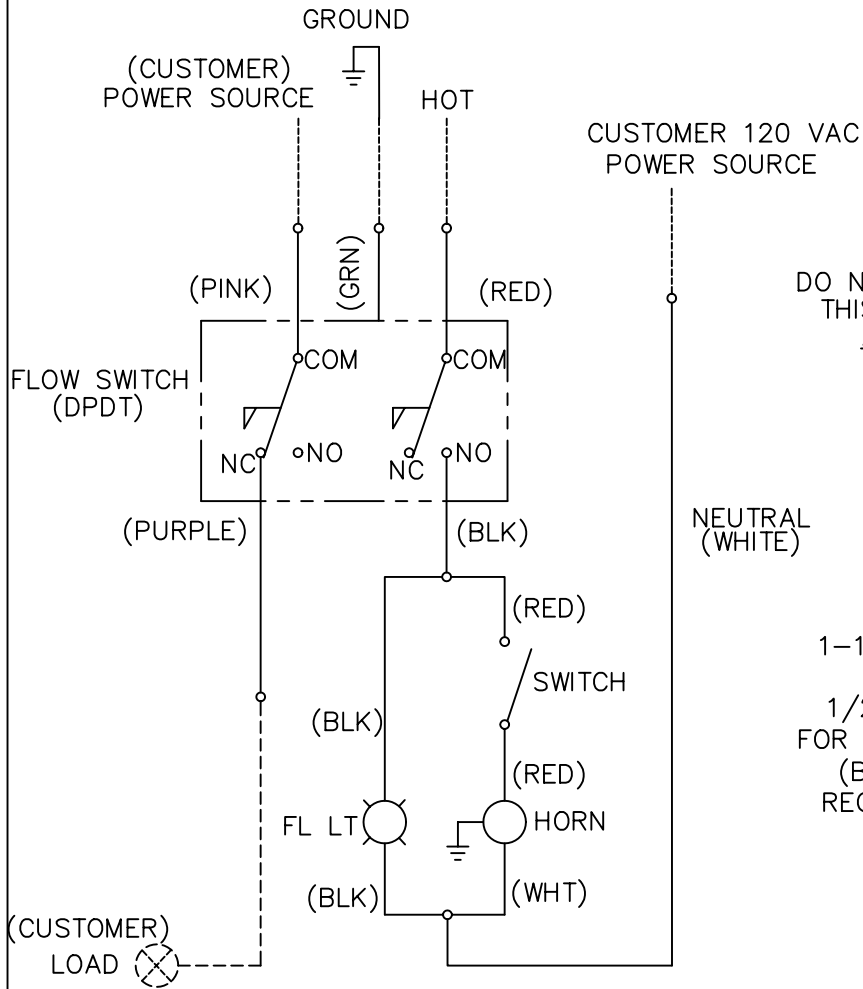
Model 9001.5 emergency alarm and light system shall include an amber flashing light, and 90 db buzzer at 10 feet (304.8 cm) that is operated by a 1/2" NPT double pole, double throw flow switch which contains multiple sets of contacts for remote activation, and pipe bracket. Switch will activate at 1.5 gpm (3.8 L). Voltage: 120 VAC, 50 or 60 cycles. Supply: 1/2" IPS. Model 9001.5 is CSA electrical certified, TYPE 4. (Equivalent to Nema 4)

## APPLICATIONS

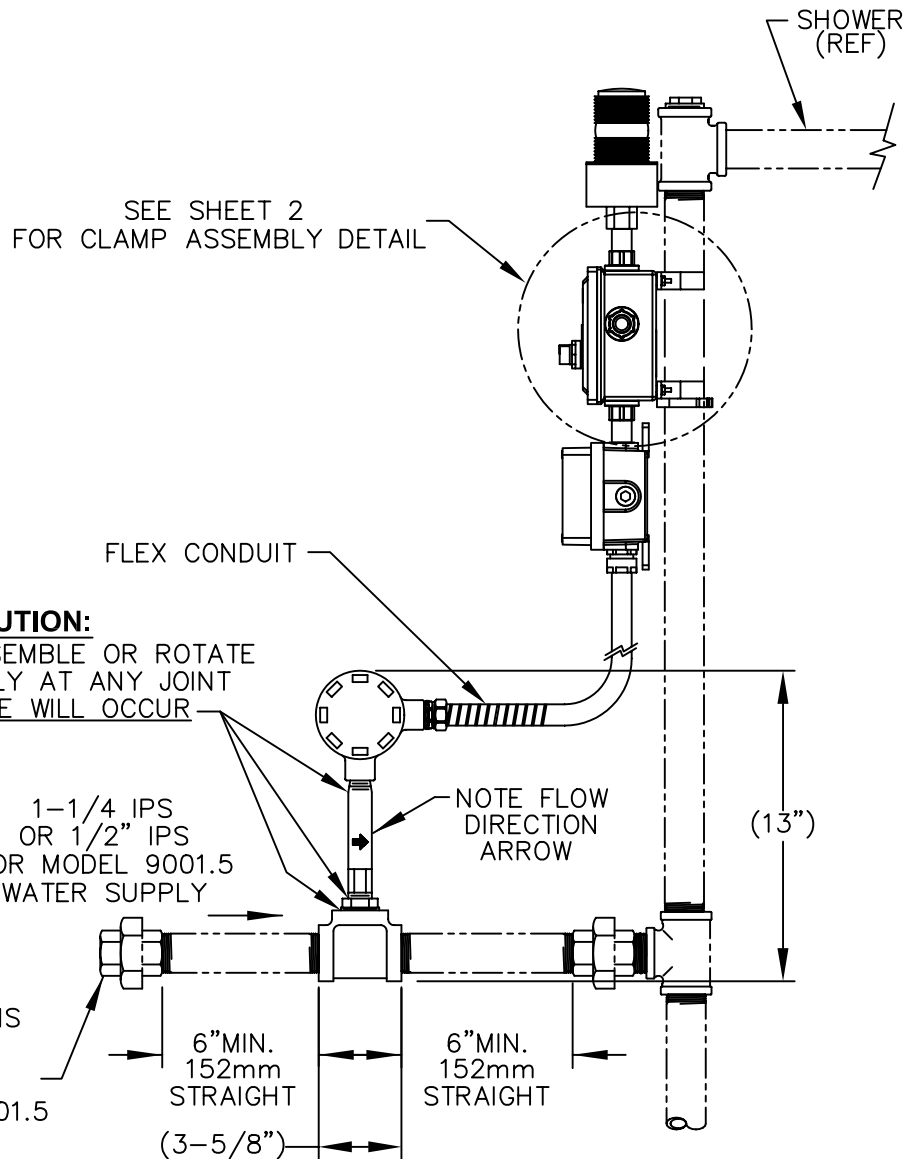
Specifically, this alarm can be used with almost any Haws eye or eye/face wash model. Model 9001 is CSA electrical certified, TYPE 4. (Nema 4 equivalent)

**NOTES:**

1. THE SIGNAL FROM THE RED WIRE WILL BE SUPPLY VOLTAGE WHEN NO WATER IS FLOWING AND ZERO VOLTAGE WHEN THE FLOW SWITCH AND LOCAL ALARM ARE ACTIVATED. IF A REMOTE ALARM IS NOT USED, THE RED WIRE MUST BE INSULATED AT ITS FREE END. LEAVING THE TWO CRIMP TERMINALS (SUPPLIED) CONNECTED WILL DO THIS.
2. INSTALLER MUST USE A THREAD SEALANT, SUCH AS APPLETON TLC3, RECOMMENDED FOR USE ON ELECTRICAL COMPONENTS ON ALL ELECTRICAL NPT CONNECTIONS.



**WIRING DIAGRAM**

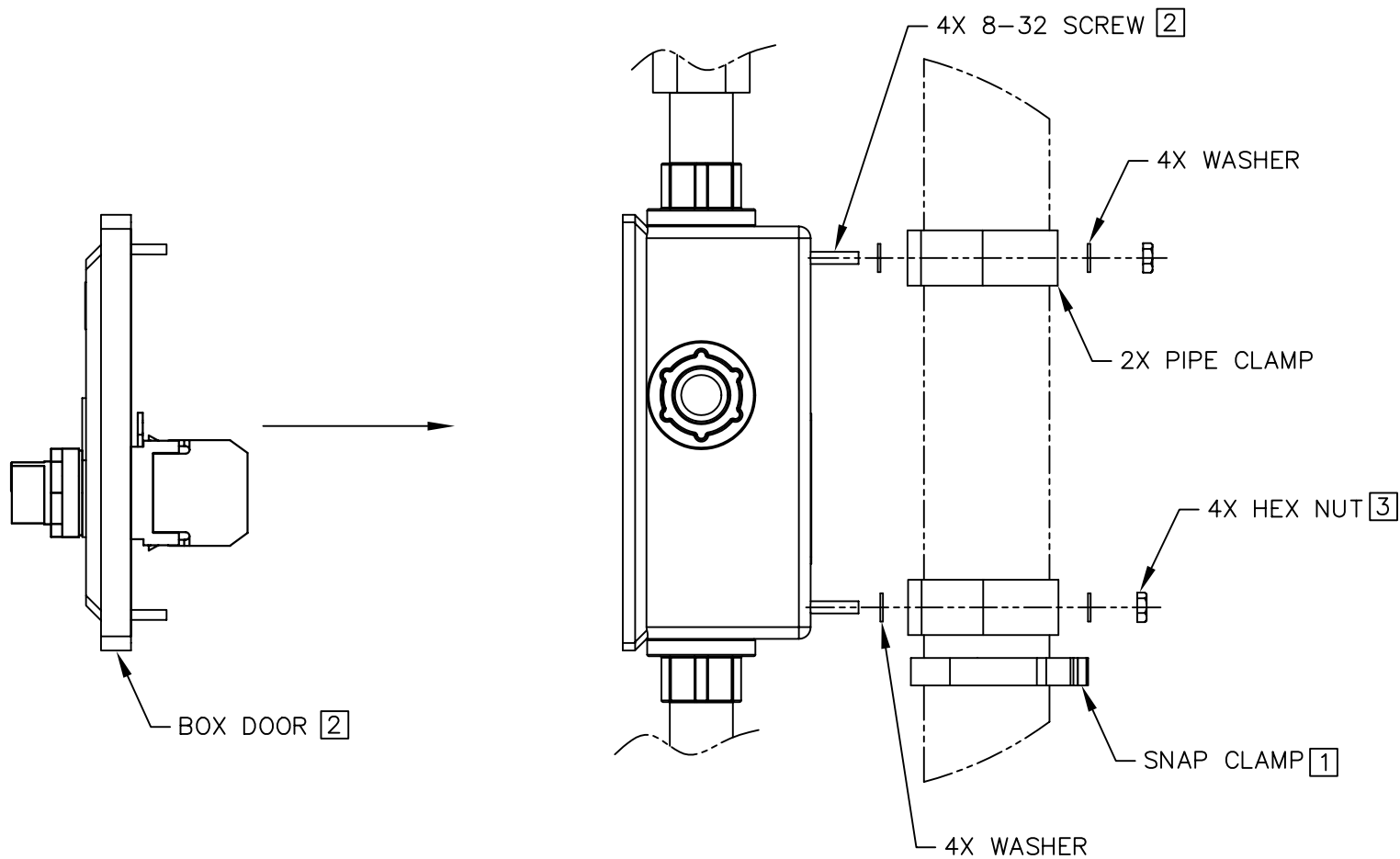


**FLOW SWITCH MUST BE MOUNTED IN HORIZONTAL POSITION**


		1455 KLEPPE LANE SPARKS, NEVADA 89431 (775) 359-4712 FAX (755) 359-7424 E-MAIL: HAWS@HAWSCO.COM WEBSITE: WWW.HAWSCO.COM	
		ECN NO. REVISED PER BY: MODEL(S) ECN: 4534 SLS: 9001/9001.5 ALARM	PART NUMBER 0002080202.D
DRAWN: C.H. DATE: 01/09/01 CHKD.:	APPROVED: DATE:	SCALE: 1:8 DRAWING TYPE: INSTALLATION	DRAWING NO. REV 09254A00 24
SHEET 1 OF 2			SIZE: A

**NOTES:**

- 1 SNAP CLAMP TO BE INSTALLED FIRST FOR VERTICAL SUPPORT.
- 2 SCREWS INSTALLED FROM FRONT, WITH BOX DOOR OFF.
- 3 NUTS TO BE INSTALLED TO A TORQUE OF 12 IN-LBS MAX.



**CLAMP ASSEMBLY DETAIL**

		1455 KLEPPE LANE SPARKS, NEVADA 89431 (775) 359-4712 FAX (755) 359-7424 E-MAIL: HAWS@HAWS.CO.COM WEBSITE: WWW.HAWS.CO.COM	
		ECN NO. REVISED PER BY: MODEL(S) ECN: 4534 SLS	PART NUMBER 0002080202.D
DRAWN: C.H. DATE: 01/09/01 CHKD:	9001/9001.5 ALARM		DRAWING NO. REV 09254A00 24
APPROVED: DATE:	SCALE: 1:8	DRAWING TYPE: INSTALLATION	SIZE: A SHEET 2 OF 2