



MAXIMIZER™



HEAVY DUTY DEBRIS PAN



EXTRA LARGE OPENING

Extra large opening is wide enough to fit an 18" push broom.



HUGE CAPACITY

Storage capacity reduces trips to empty the pan.



LOCKS IN PLACE

Locking latch for secure lifting and emptying of heavy loads up to 25 lbs.





Maximizer™ Heavy Duty Debris Pan

SKU #	CUST. ITEM #	DESCRIPTION	COLOR	LENGTH	WIDTH	HEIGHT	WEIGHT	CASE QTY
2018781		MAXIMIZER™ HD STAND UP DEBRIS PAN	BLACK	29.00	20.44	11.00	3.90	4

Additional Maximizer™ Products

SKU #	CUST. ITEM #	DESCRIPTION	COLOR	LENGTH	WIDTH	HEIGHT	WEIGHT	CASE QTY
2018727		MAXIMIZER™ PUSH-TO-CENTER BROOM – 18" MP	BLACK	58.13	8.25	7.75	2.50	6
2018728		MAXIMIZER™ PUSH-TO-CENTER BROOM – 36" MP	BLACK	58.13	8.25	8.75	3.30	6
2018729		MAXIMIZER™ PUSH-TO-CENTER BROOM – 18" FINE	BLACK	58.13	8.25	7.75	2.50	6
2018730		MAXIMIZER™ PUSH-TO-CENTER BROOM – 36" FINE	BLACK	58.13	8.25	8.75	3.30	6
2018782		MAXIMIZER™ 3-IN-1 FLOOR PREP TOOL	BLACK	57.00	4.75	4.75	1.21	6
2018784		MAXIMIZER™ 3-IN-1 SCRUBBER PAD	BLACK	2.63	1.38	0.25	0.01	12
2018786		MAXIMIZER™ 3-IN-1 SCUFF REMOVER PAD	BLACK	2.63	1.38	0.50	0.01	12
2018787		MAXIMIZER™ 3-IN-1 REPLACEABLE SCRAPER	BLACK	2.63	1.50	0.81	0.05	12
2018788		MAXIMIZER™ QUICK CHANGE STORAGE TRAY	BLACK	24.75	19.75	4.13	4.57	1
2018789		MAXIMIZER™ QUICK CHANGE EXTENSION HANDLE	YELLOW	35.50	1.75	1.63	0.84	12
2018790		MAXIMIZER™ QUICK CHANGE DUSTER	BLACK	25.88	2.13	1.25	0.36	6
2018801		MAXIMIZER™ QUICK CHANGE SQUEEGEE	BLACK	13.13	10.13	2.06	0.39	6
2018802		MAXIMIZER™ QUICK CHANGE SCRUB BRUSH	BLACK	11.38	6.00	2.63	0.40	6
2018803		MAXIMIZER™ QUICK CHANGE FLOOR PREP TOOL	BLACK	9.00	4.75	4.75	0.46	6
2018804		MAXIMIZER™ QUICK CHANGE MICROFIBER FRAME	BLACK	17.00	3.25	1.50	0.60	6
2018805		MAXIMIZER™ QUICK CHANGE CLEANING KIT	BLACK	37.00	7.75	3.19	2.21	1
2018806		MAXIMIZER™ WET/DRY DEBRIS PAN	BLACK	29.00	16.88	12.00	3.20	4
2018807		MAXIMIZER™ DOUBLE SIDED BROOM/SQUEEGEE	BLACK	44.50	4.13	7.00	1.40	8
2018808		MAXIMIZER™ DUST FRM, HNDL, SCRAPER – 24"	BLACK	57.00	5.50	1.75	1.85	6
2018809		MAXIMIZER™ DUST FRM, HNDL, SCRAPER – 36"	BLACK	57.00	5.50	1.75	2.60	6
2018810		MAXIMIZER™ DUST MOP PAD – 24"	YELLOW	25.25	5.50	0.50	1.19	12
2018821		MAXIMIZER™ DUST MOP PAD – 36"	YELLOW	37.25	5.50	0.50	1.72	12
2018822		MAXIMIZER™ EZ ACCESS SCRAPER – REPLACEMENT	BLACK	6.56	1.63	1.63	0.19	12
2018823		MAXIMIZER™ QUICK CHANGE FIXED HANDLE	YELLOW	57.00	1.50	1.50	0.73	12
2018824		MAXIMIZER™ OVERHEAD CLEANING TOOL	BLACK	71.50	3.50	2.38	2.50	6
2018825		MF OVERHEAD CLEANING TOOL WINDOW PAD	BLUE	12.63	5.25	0.19	0.09	6



©2017 Rubbermaid Commercial Products LLC
8900 Northpointe Executive Park Drive, Huntersville, NC 28078

To see our complete range of cleaning solutions visit our online catalog at RubbermaidCommercial.com

MAXIMIZER™



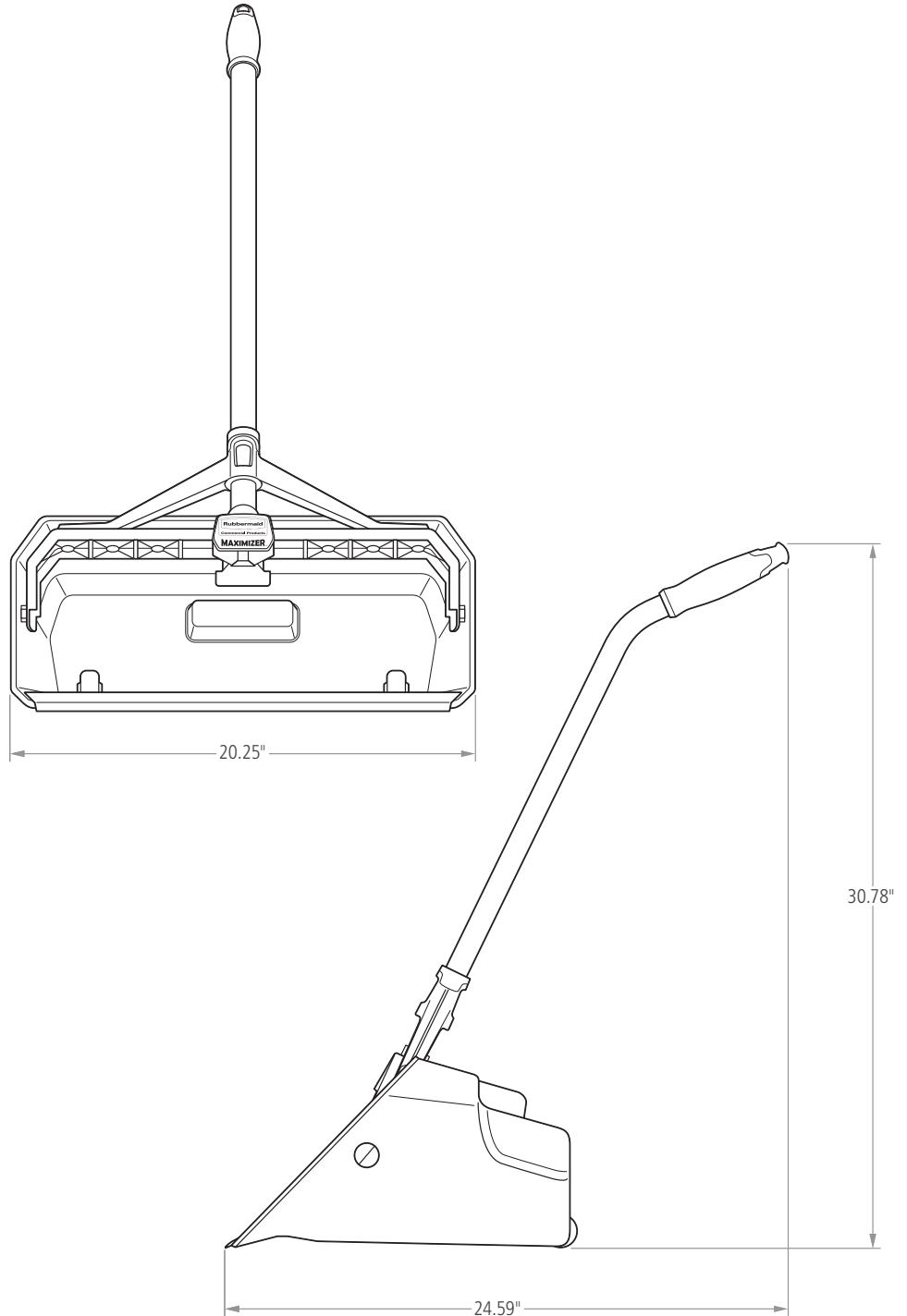
MAXIMIZER™

The new Maximizer™ cleaning tools from Rubbermaid Commercial Products help workers save time by reducing steps in a task, reducing the time of a step and reducing user effort. Engineered to last and designed to perform in a variety of common spaces, Maximizer™ cleaning tools deliver fast, consistent results shift after shift.

Features and Benefits:

- Extra large opening is wide enough to fit an 18" push broom
- Huge storage capacity reduces trips to empty the pan
- Locking latch for secure lifting and emptying of heavy loads up to 25 lbs
- Angled ergonomic handle for reduced strain when sweeping debris into pan
- Durable rear wheels improve wear resistance and extend product life
- Built-in hang hole for convenient storage
- Molded comfort handle reduces strain

HEAVY DUTY STAND UP DEBRIS PAN



Unit Packaged Dimensions

SKU #	DESCRIPTION	COLOR	LENGTH IN	WIDTH IN	HEIGHT IN	WEIGHT LB	PACK SIZE
2018781	MAXIMIZER™ HD STAND UP DEBRIS PAN	BLACK	29.00	20.44	11.00	3.90	4

