



MAXIMIZER™

WET/DRY DEBRIS PAN

AND BROOMGEE™



HIGH CAPACITY

Holds up to 32 oz. of liquid.



EFFICIENT CLEANING

This wide, uniquely shaped pan allows liquid and solid debris to easily collect in the pan.



SWEEP SOLIDS & LIQUIDS

Durable polypropylene bristles effectively sweep up solid debris. Long-lasting, 2.5" TPE squeegee blade handles the toughest liquid spills.



Maximizer™ Wet/Dry Debris Pan and Broomgee™

SKU #	CUST. ITEM #	DESCRIPTION	COLOR	LENGTH	WIDTH	HEIGHT	WEIGHT	CASE QTY
2018806		MAXIMIZER™ WET/DRY DEBRIS PAN	BLACK	29.00	16.88	12.00	3.20	4
2018807		MAXIMIZER™ DOUBLE SIDED BROOM/SQUEEGEE	BLACK	44.50	4.13	7.00	1.40	8

Additional Maximizer™ Products

SKU #	CUST. ITEM #	DESCRIPTION	COLOR	LENGTH	WIDTH	HEIGHT	WEIGHT	CASE QTY
2018727		MAXIMIZER™ PUSH-TO-CENTER BROOM – 18" MP	BLACK	58.13	8.25	7.75	2.50	6
2018728		MAXIMIZER™ PUSH-TO-CENTER BROOM – 36" MP	BLACK	58.13	8.25	8.75	3.30	6
2018729		MAXIMIZER™ PUSH-TO-CENTER BROOM – 18" FINE	BLACK	58.13	8.25	7.75	2.50	6
2018730		MAXIMIZER™ PUSH-TO-CENTER BROOM – 36" FINE	BLACK	58.13	8.25	8.75	3.30	6
2018781		MAXIMIZER™ HD STAND UP DEBRIS PAN	BLACK	29.00	20.44	11.00	3.90	4
2018782		MAXIMIZER™ 3-IN-1 FLOOR PREP TOOL	BLACK	57.00	4.75	4.75	1.21	6
2018784		MAXIMIZER™ 3-IN-1 SCRUBBER PAD	BLACK	2.63	1.38	0.25	0.01	12
2018786		MAXIMIZER™ 3-IN-1 SCUFF REMOVER PAD	BLACK	2.63	1.38	0.50	0.01	12
2018787		MAXIMIZER™ 3-IN-1 REPLACEABLE SCRAPER	BLACK	2.63	1.50	0.81	0.05	12
2018788		MAXIMIZER™ QUICK CHANGE STORAGE TRAY	BLACK	24.75	19.75	4.13	4.57	1
2018789		MAXIMIZER™ QUICK CHANGE EXTENSION HANDLE	YELLOW	35.50	1.75	1.63	0.84	12
2018790		MAXIMIZER™ QUICK CHANGE DUSTER	BLACK	25.88	2.13	1.25	0.36	6
2018801		MAXIMIZER™ QUICK CHANGE SQUEEGEE	BLACK	13.13	10.13	2.06	0.39	6
2018802		MAXIMIZER™ QUICK CHANGE SCRUB BRUSH	BLACK	11.38	6.00	2.63	0.40	6
2018803		MAXIMIZER™ QUICK CHANGE FLOOR PREP TOOL	BLACK	9.00	4.75	4.75	0.46	6
2018804		MAXIMIZER™ QUICK CHANGE MICROFIBER FRAME	BLACK	17.00	3.25	1.50	0.60	6
2018805		MAXIMIZER™ QUICK CHANGE CLEANING KIT	BLACK	37.00	7.75	3.19	2.21	1
2018808		MAXIMIZER™ DUST FRM, HNDL, SCRAPER – 24"	BLACK	57.00	5.50	1.75	1.85	6
2018809		MAXIMIZER™ DUST FRM, HNDL, SCRAPER – 36"	BLACK	57.00	5.50	1.75	2.60	6
2018810		MAXIMIZER™ DUST MOP PAD – 24"	YELLOW	25.25	5.50	0.50	1.19	12
2018821		MAXIMIZER™ DUST MOP PAD – 36"	YELLOW	37.25	5.50	0.50	1.72	12
2018822		MAXIMIZER™ EZ ACCESS SCRAPER – REPLACEMENT	BLACK	6.56	1.63	1.63	0.19	12
2018823		MAXIMIZER™ QUICK CHANGE FIXED HANDLE	YELLOW	57.00	1.50	1.50	0.73	12
2018824		MAXIMIZER™ OVERHEAD CLEANING TOOL	BLACK	71.50	3.50	2.38	2.50	6
2018825		MF OVERHEAD CLEANING TOOL WINDOW PAD	BLUE	12.63	5.25	0.19	0.09	6





MAXIMIZER™

The new Maximizer™ cleaning tools from Rubbermaid Commercial Products help workers save time by reducing steps in a task, reducing the time of a step and reducing user effort. Engineered to last and designed to perform in a variety of common spaces, Maximizer™ cleaning tools deliver fast, consistent results shift after shift.

Features and Benefits:

Wet/Dry Debris Pan Features & Benefits:

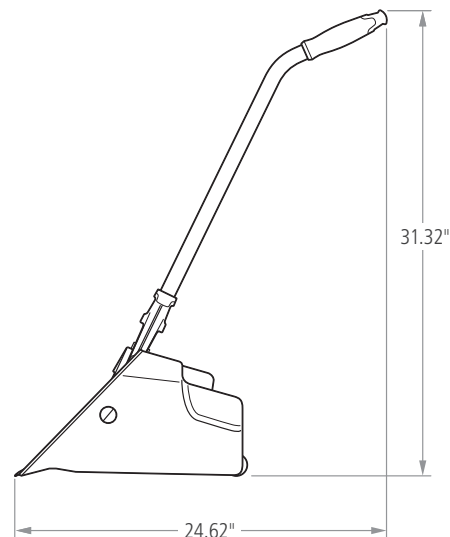
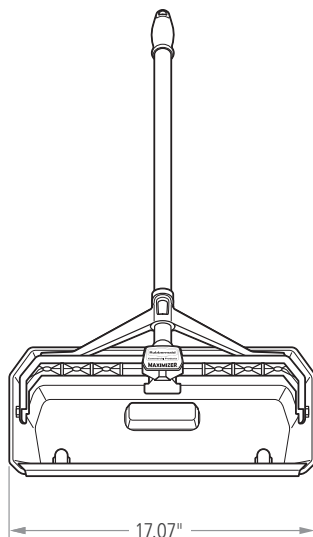
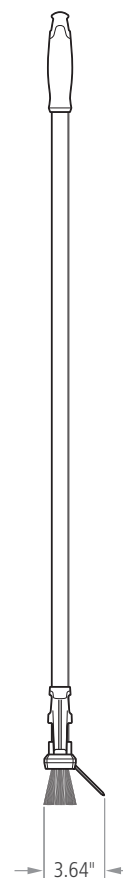
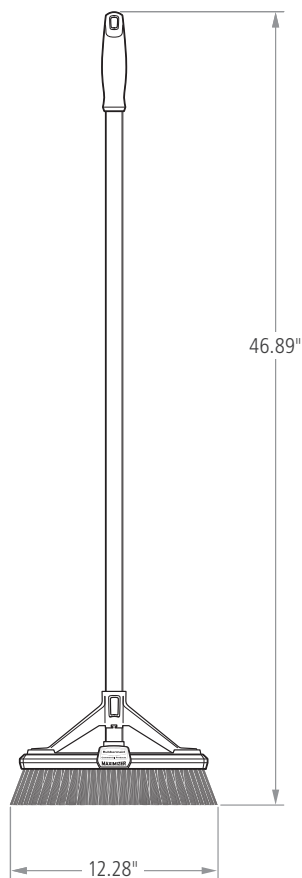
- Holds 10X more liquid* for efficient cleanup and less rework
- The wide, uniquely shaped pan allows liquid and solid debris to easily collect in the pan
- Molded-in baffles keep both dry and wet debris from leaking back onto floors
- Holds up to 32oz of liquid
- Constructed of durable polypropylene
- Built-in hanger bracket for easy storage of Maximizer™ Broomgee™ (sold separately)
- Durable rear wheels improve wear resistance and extend product life

Double-Sided Broomgee™ Features & Benefits:

- Double-sided Broomgee™ effectively cleans both liquid and solid spills
- Durable polypropylene bristles effectively sweep up solid debris
- Long-lasting 2.5" TPE squeegee blade handles even the toughest liquid spills
- Broomgee™ easily connects to the hanger bracket on the Wet/Dry Pan for easy storage

*vs. standard Rubbermaid Commercial Lobby Pro® debris pans

WET/DRY DEBRIS PAN & DOUBLE-SIDED BROOMGEE™



Unit Packaged Dimensions

SKU #	DESCRIPTION	COLOR	LENGTH IN	WIDTH IN	HEIGHT IN	WEIGHT LB	PACK SIZE
2018806	MAXIMIZER™ WET/DRY DEBRIS PAN	BLACK	29.00	16.88	12.00	3.20	4
2018807	MAXIMIZER™ DOUBLE-SIDED BROOM/SQUEEGEE	BLACK	44.50	4.13	7.00	1.40	8

