



BRUTE® CONSTRUCTION AND LANDSCAPE DOLLY

The BRUTE® Construction and Landscape Dolly is built to easily maneuver over rough terrain for superior handling of heavy loads. Ergonomically designed features ensure worker safety in the toughest conditions.

Features and Benefits:

- Oversized never flat wheels with DuraTread provide maximum performance and long-lasting use on even the roughest terrain
- Ergonomic cruiser handles provide comfortable maneuverability and maximum leverage with loads up to 250 lbs.
- Structural foam rim hook easily adjusts to secure 32, 44, and 55-gallon BRUTE® containers
- Integrated foot ledge provides maximum leverage for easily tilting and transporting heavy loads

Material Composition:

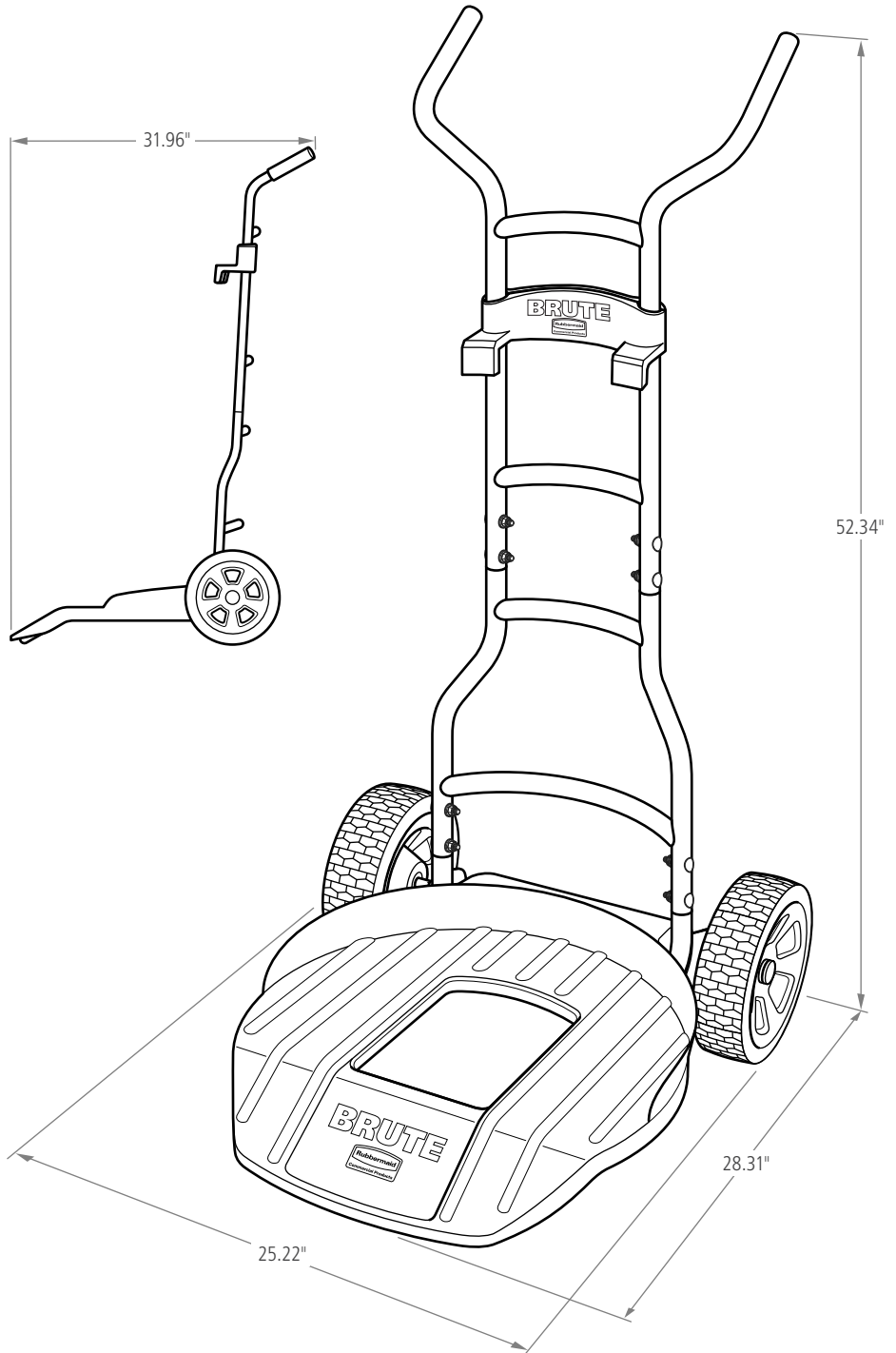
- Durable powder-coated steel frame with UV inhibitor
- Commercial-grade structural foam base and rim hook

Weight Capacity:

- 250 lbs.

Compatibility:

- Compatible with 32, 44, and 55-gallon BRUTE® containers



SKU #	DESCRIPTION	COLOR	WEIGHT LB	WIDTH IN	HEIGHT IN	DEPTH IN	PACK SIZE
1997410	BRUTE® CONSTRUCTION AND LANDSCAPE DOLLY	RED	28.55	25.22"	52.34"	31.96"	1





BRUTE

Built to handle rough and uneven surfaces, the BRUTE® Multi-Surface Dolly is designed to help make moving waste easier than ever. Ergonomically designed features help prevent injuries and support worker safety while on the job.

Features and Benefits:

- Heavy-duty rear wheels with high-performance treads plus dual-front casters distribute up to 250 lbs. of weight evenly for a full range of maneuverability over uneven surfaces
- Ergonomic cart-style handle designed for comfortable and controlled push, pull and tilt operation
- Structural foam twist lock base easily adjusts to secure 20, 32, 44, and 55-gallon BRUTE® containers
- Integrated foot ledge provides maximum leverage for easily tilting and transporting heavy loads

Material Composition:

- Durable powder-coated steel frame with UV inhibitor
- Commercial-grade structural foam base

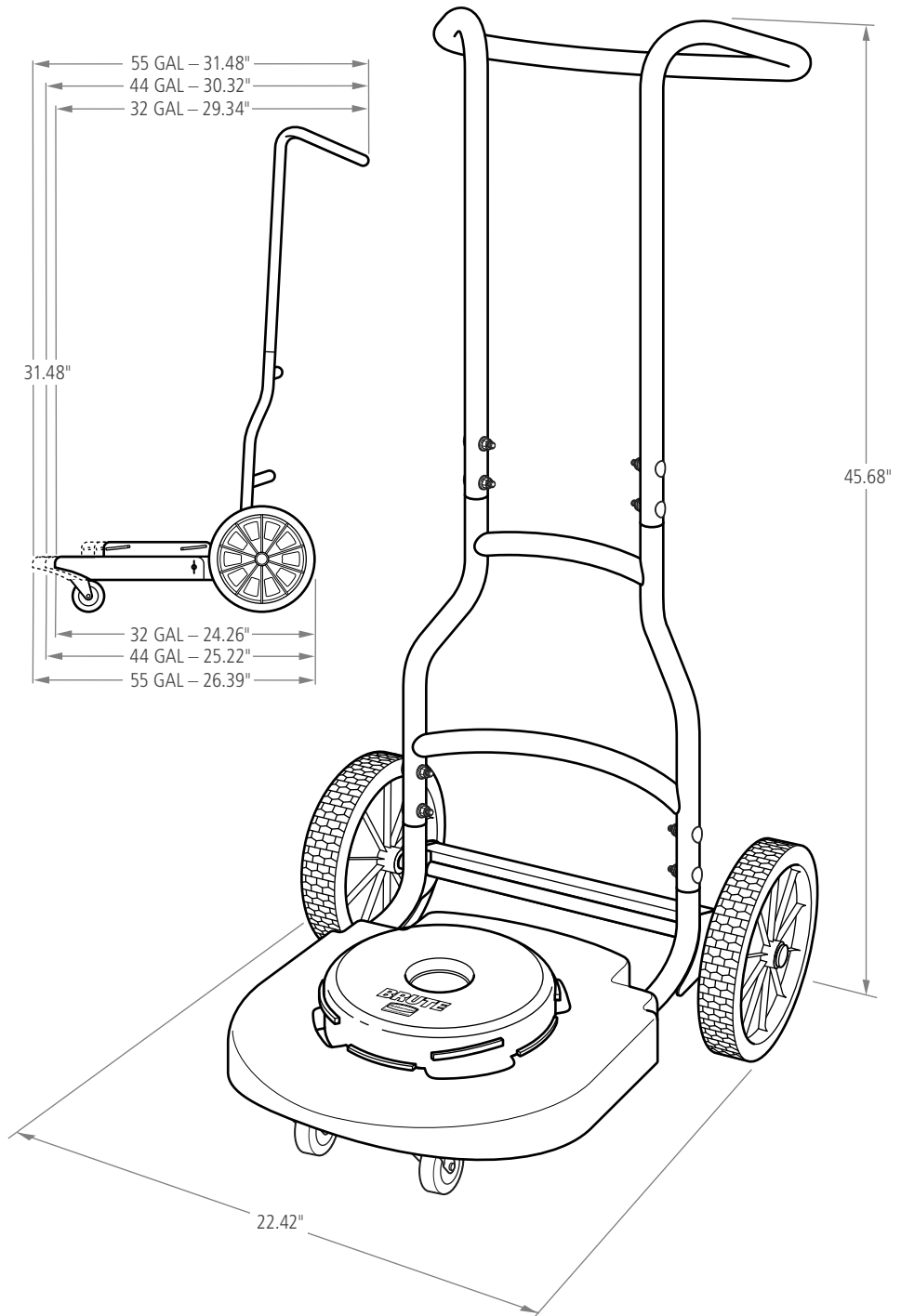
Weight Capacity:

- 250 lbs.

Compatibility:

- Compatible with 20, 32, 44, and 55-gallon BRUTE® containers

**BRUTE®
MULTI-SURFACE DOLLY**



SKU #	DESCRIPTION	COLOR	WEIGHT LB	WIDTH IN	HEIGHT IN	DEPTH IN	PACK SIZE
1997801	BRUTE® MULTI-SURFACE DOLLY	RED	25.15	22.42"	45.68"	29.34**	1

*32-GAL SETTING





BRUTE®

The BRUTE® Anchor secures BRUTE® containers to concrete surfaces for a lifetime of use. The structural foam base fits any 20, 32, 44, and 55-gallon BRUTE® container and is guaranteed to never fade, rust, chip, dent or peel.

Features and Benefits:

- Secure once for a lifetime of use
- Standard twist lock base accommodates any 20, 32, 44, and 55-gallon BRUTE® container
- Structural foam base plus rust and corrosion resistant steel hardware secure BRUTE® containers to any concrete surface

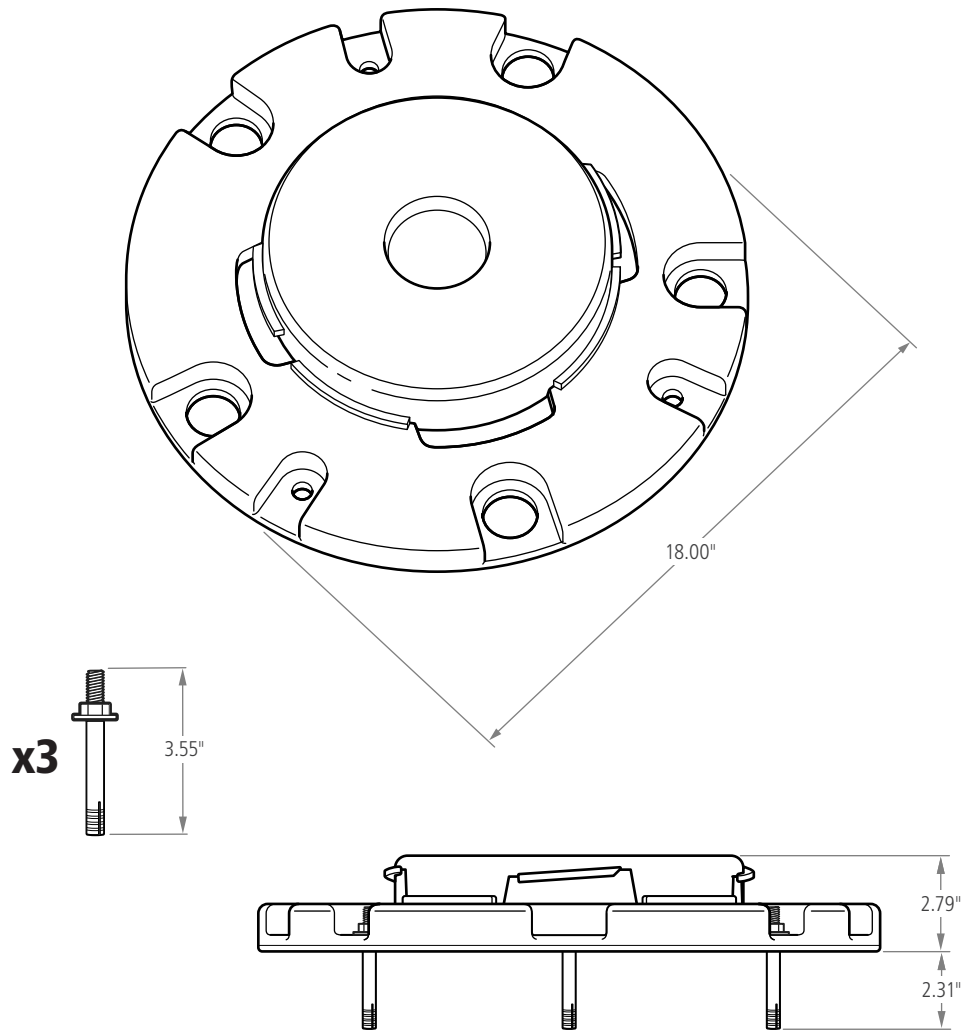
Material Composition:

- Commercial-grade structural foam base

Compatibility:

- Compatible with 20, 32, 44, and 55-gallon BRUTE® containers

BRUTE® CONCRETE ANCHOR KIT



SKU #	DESCRIPTION	COLOR	WEIGHT LB	DIAMETER IN	HEIGHT IN	PACK SIZE
1997803	BRUTE® ANCHOR KIT – CONCRETE	BLACK	2.93	18.00"	2.79"	1





BRUTE®

The BRUTE® Anchor secures BRUTE® containers to dirt, sand, and grass surfaces for a lifetime of use. The structural foam base fits any 20, 32, 44, and 55-gallon BRUTE® container and is guaranteed to never fade, rust, chip, dent or peel.

Features and Benefits:

- Secure once for a lifetime of use
- Standard twist lock base accommodates any 20, 32, 44, and 55-gallon BRUTE® container
- Structural foam base plus rust and corrosion resistant steel hardware secure BRUTE® containers to any dirt, sand or grass surface

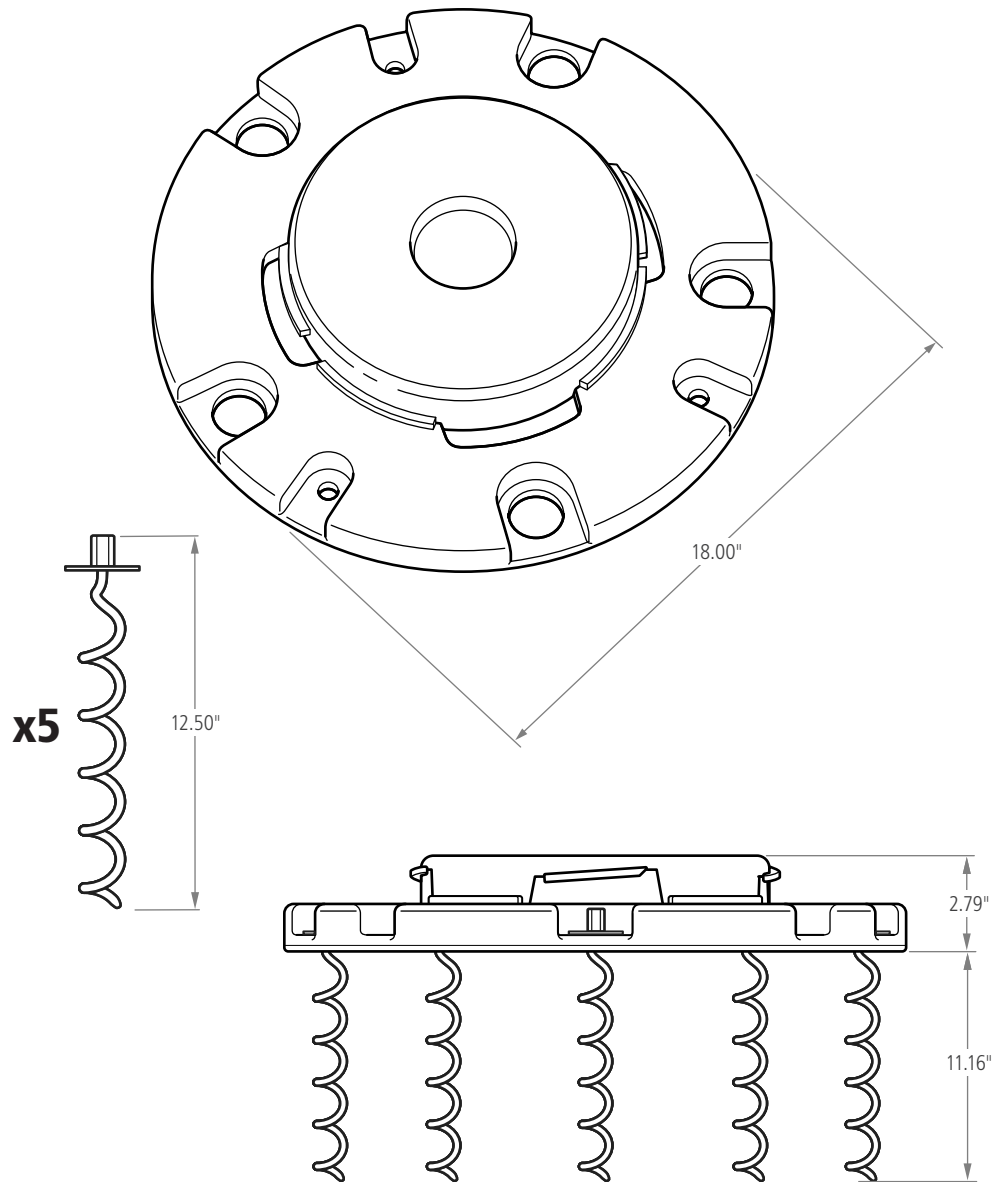
Material Composition:

- Commercial-grade structural foam base

Compatibility:

- Compatible with 20, 32, 44, and 55-gallon BRUTE® containers

BRUTE® DIRT/GRASS/SAND ANCHOR KIT



SKU #	DESCRIPTION	COLOR	WEIGHT LB	DIAMETER IN	HEIGHT IN	PACK SIZE
1997802	BRUTE® ANCHOR KIT – DIRT/GRASS/SAND	BLACK	4.50	18.00"	2.79"	1





BRUTE



ICONIC

DURABILITY

SINCE 1968



A LEGACY OF INDUSTRY-LEADING DURABILITY

Since 1968, BRUTE® containers have been trusted by professionals for their iconic durability and reliability. With every lift, drag and drop, they've outlasted—and outperformed every competitor in the industry thanks to their proprietary design, the highest quality materials and world-class manufacturing in Winchester, Virginia, USA.



MAKE ANY JOB

MORE EFFICIENT

We're proud to introduce a brand new line of BRUTE® accessories that are designed to improve productivity and make users more efficient each and every day. No matter the task, the BRUTE product family offers a wide range of solutions to help you get the job done faster, safer and better than ever. When you see the BRUTE stamp, it means that your toughest job just got a whole lot easier.



MEET THE BRUTE® FAMILY



BRUTE® CONTAINERS
PAGE 8



**BRUTE® MOBILITY
ACCESSORIES**
PAGE 14



**BRUTE® CLEANING
ACCESSORIES**
PAGE 22



BRUTE® LIDS
PAGE 24



BRUTE® RECYCLING
PAGE 26



SKU LISTING
PAGE 28

IMPROVED PRODUCTIVITY

Overexertion is among the leading causes of workplace injuries, according to the U.S. Department of Labor. The BRUTE® container delivers improved productivity by managing and collecting waste more efficiently and safely. BRUTE containers reduce exertion through greater ergonomics when lifting, transporting and emptying waste.



VENTING CHANNELS

Make removing liners up to 50% easier, improving productivity and reducing the risk of injury.



BAG CINCHES

Secure liners in place, allowing for knot-free liner changes. Tested to 20,000 cycles.



CONTOURED BASE HANDLES

Improve grip and ergonomics, reducing user strain and improving efficiency when emptying containers.



SEAMLESS CONSTRUCTION

Helps make cleaning easier.



2 & 21 Compliant

TRUSTED TO OUTLAST

Our BRUTE® containers are constructed with the highest quality materials at our world-class manufacturing facility in Winchester, Virginia, USA. BRUTE containers are guaranteed to never fade, warp, crack, rust, peel or dent. That's why they are chosen first to get the job done.



COMMERCIAL GRADE CONSTRUCTION

Proprietary design constructed with the highest quality materials plus a UV inhibitor ensures long life in even the most extreme commercial environments.



RIM WITH RIB STRENGTHENED DESIGN

Increases strength and resists crushing.



ROBUST HANDLES

Make lifting and moving easier. Reinforced to resist tearing or damage from even the heaviest loads.



REINFORCED BASE

Specifically engineered to endure dragging over rough surfaces, extending life and durability in the toughest environments.

BRUTE® FOOD HANDLING CONTAINERS



FOOD-SAFE MATERIAL

Straight wall design and inmold branding make containers ideal for use in food handling environments.



NSF & USDA APPROVED

Food handling containers are NSF Standard 2 and 21 certified and USDA Meat and Poultry Equipment listed.



TWO STYLES AVAILABLE

Available in round and square containers.

BRUTE® CONSTRUCTION & LANDSCAPE DOLLY

The BRUTE® Construction and Landscape Dolly is built to easily maneuver over rough terrain for superior handling of heavy loads. Ergonomically designed features ensure worker safety in the toughest conditions.



OVERSIZED NEVER FLAT WHEELS WITH DURATREAD

Provide maximum performance and long-lasting use on even the roughest terrain.



ERGONOMIC CRUISER HANDLES

Provide comfortable maneuverability and maximum leverage with loads up to 250 lbs.



STRUCTURAL FOAM RIM HOOK

Easily adjusts to secure 32, 44, and 55-gallon BRUTE® containers.



INTEGRATED FOOT LEDGE

Provides maximum leverage for easily tilting and transporting heavy loads.



BRUTE®

MULTI-SURFACE DOLLY

Built to handle rough and uneven surfaces, the BRUTE® Multi-Surface Dolly is designed to help make moving waste easier than ever. Ergonomically designed features help prevent injuries and support worker safety while on the job.



BRUTE® MOBILITY
ACCESSORIES



HEAVY-DUTY REAR WHEELS PLUS DUAL FRONT CASTERS

Distribute up to 250 lbs. of weight evenly for a full range of maneuverability over uneven surfaces.



ERGONOMIC CART-STYLE HANDLE

Designed for comfortable and controlled push, pull and tilt operation.



STRUCTURAL FOAM TWIST LOCK BASE

Easily adjusts to secure 20, 32, 44, and 55-gallon BRUTE® containers.



INTEGRATED FOOT LEDGE

Provides maximum leverage for easily tilting and transporting heavy loads.



EASY INSTALLATION

Choose from the Concrete Anchor or Dirt/Grass/Sand Anchor to secure once for a lifetime of use.



BRUTE® COMPATIBILITY

Standard twist lock base accommodates any 20, 32, 44, and 55-gallon BRUTE® container.



BUILT TO LAST

Structural foam base plus rust and corrosion resistant steel hardware secure the base to most surfaces commonly found around commercial facilities: Concrete and Dirt/Grass/Sand.

BRUTE® ANCHORS

BRUTE® Anchors secure BRUTE containers to a variety of surfaces for a lifetime of use. The structural foam base fits any 20, 32, 44, and 55-gallon BRUTE container and is guaranteed to never fade, rust, chip, dent or peel.

BRUTE® DOLLIES



SINGLE DOLLY

Provides easy mobility and maneuverability when collecting and transporting facility waste.



TANDEM DOLLY

Twist locks hold two BRUTE® containers securely for increased productivity through two-stream collection.



TRAINABLE DOLLY

Triple your productivity by moving three BRUTE® containers at once.



QUIET DOLLY

Eliminates 88% of traditional dolly noise across smooth and uneven surfaces.

BRUTE® CLEANING CADDIES



CADDY BAG

Knock out quick cleanups on-the-go with onboard storage for spray bottles, cleaning cloths, extra can liners and other cleaning supplies. Easily attaches to 32 and 44-gallon BRUTE® containers.



RIM CADDY

Provides storage for everything from wet floor signs to spray bottles and all the other supplies needed for on-the-go cleaning. Securely fits onto the rim of 44-gallon BRUTE® containers.



MAID CADDY

Securely fits onto the rim of 32, 44, and 55-gallon round BRUTE® containers and 28 and 40-gallon square BRUTE containers for storage of spray bottles and other small cleaning tools.

BRUTE® LIDS

SELF-DRAINING LIDS

Self-draining channels prevent water from pooling. Snap-lock ensures a secure fit while ridges enable stacking for space efficient storage.



DOME TOP LIDS

Spring action door allows for easy waste disposal while keeping odors in and insects out. Snap-lock ensures a secure fit.



FUNNEL TOP LIDS

Cut-out top enables hands-free waste disposal. Funnel design conceals waste from public view.



BRUTE®
LIDS



BRUTE® RECYCLING



7 COLORS

Color-coded bases and lids create consistent visual cues when sorting recyclables.



LIDS

Restrictive lid shapes ensure the right recyclables get into the right bins.



10 WASTE STREAM LABELS

Expert-designed waste stream labels feature three visual cues, the recycling symbol, a stream icon and verbiage proven to increase recycling effectiveness.



BRUTE®
RECYCLING

VENTED BRUTE® CONTAINERS					
COLOR	10 GALLON	20 GALLON	32 GALLON	44 GALLON	55 GALLON
GRAY	FG261000GRAY	FG262000GRAY	FG263200GRAY	FG264360GRAY	FG265500GRAY
WHITE	FG261000WHT	FG262000WHT	FG263200WHT	1779740	FG265500WHT
BLUE	1779699	FG262000BLUE	FG263200BLUE	FG264360BLUE	1779732
RED	FG261000RED	FG262000RED	FG263200RED	FG264360RED	FG265500RED
YELLOW	FG261000YEL	FG262000YEL	FG263200YEL	FG264360YEL	FG265500YEL
GREEN	FG261000DGRN	FG262000DGRN	FG263200DGRN	1779741	FG265500DGRN
BLACK	1926827	1779734	1867531	FG264360BLA	1779739
BROWN	–	–	2018369	2018392	–
RECYCLING BLUE	–	FG262073BLUE	FG263273BLUE	FG264307BLUE	–
RECYCLING GREEN	–	1926828	1788472	1926829	–
LABELS	1977787—FIT 32 AND 44 GALLON BRUTE CONTAINERS				



Vented BRUTE Container

BRUTE® SQUARE FOOD HANDLING CONTAINERS		
COLOR	28 GALLON	40 GALLON
GRAY	FG352600GRAY	FG353600GRAY
WHITE	FG352600WHT	FG353600WHT
RED	FG352600RED	–



BRUTE Square Food Handling Container

BRUTE® SQUARE FOOD HANDLING LIDS			
COLOR	28 GALLON TRADITIONAL LID	28 GALLON SNAP-LOCK® LID	40 GALLON TRADITIONAL LID
GRAY	FG352700GRAY	2039501	FG353900GRAY
WHITE	FG352700RED	FG352900RED	FG353900WHT
RED	FG352700WHT	2039450	–



Traditional Lid



Snap-Lock Lid

BRUTE® SQUARE FOOD HANDLING CONTAINER COMBINATIONS & ACCESSORIES		
COLOR	ITEM#	PRODUCT DESCRIPTION
RED	FG351700RED	COMBO PACK INCLUDES FG352600 SQUARE BRUTE CONTAINER, FG352900 SNAP-LOCK LID
BLACK	FG353000BLA	BRUTE SQUARE DOLLY FOR BRUTE SQUARE CONTAINERS



Combo Pack



BRUTE Square Dolly

BRUTE® ROUND FOOD HANDLING CONTAINERS					
COLOR	10 GALLON	20 GALLON	32 GALLON	44 GALLON	55 GALLON
GRAY	FG261088GRAY	FG262088GRAY	FG263288GRAY	FG264388GRAY	FG265588GRAY
WHITE	FG261088WHT	FG262088WHT	FG263288WHT	FG264388WHT	1892478
BLUE	1892456	FG262088BLUE	FG263288BLUE	FG264388BLUE	1931740
RED	1892465	1892470	FG263288RED	FG264388RED	1892477
YELLOW	1892464	FG262088YEL	FG263288YEL	FG264388YEL	1892479
GREEN	1892455	1892469	1892473	1892475	1892480
BLACK	1931739	1892468	1892471	1892474	1892476
WHITE "ICE ONLY"	FG9F8600WHT	–	–	–	–
WHITE "EDIBLE"	–	–	–	FG264359WHT	–
YELLOW "USDA CONDEMNED"	–	–	FG263246YEL	FG264346YEL	–
GRAY "TRASH"	–	–	FG263252GRAY	–	–
BLUE "TRASH"	–	–	–	FG264352BLUE	–
RED "INEDIBLE"	–	–	FG263253RED	–	–
YELLOW "INEDIBLE"	–	–	FG263256YEL	FG264353YEL	–
GRAY "INEDIBLE"	–	–	FG263256GRAY	FG264356GRAY	–



BRUTE Round Food Handling Container



"Ice Only"



"Edible"



"USDA Condemned"



"Trash"



"Trash"



"Inedible"



"Inedible"



"Inedible"

PROSAVE® INGREDIENT CONTAINER LIDS & COMBINATIONS				
COLOR	10 GALLON	20 GALLON	32 GALLON	PRODUCT DESCRIPTION
WHITE	FG9G7600WHT	–	–	SLIDING LID WITH 2-CUP SCOOP
WHITE	–	FG9G7700WHT	–	SLIDING LID WITH 3-CUP SCOOP
WHITE	–	–	FG9G7800WHT	SLIDING LID WITH 4-CUP SCOOP
WHITE	FG9G7300WHT	–	–	BRUTE CONTAINER & SLIDING LID WITH 2-CUP SCOOP
WHITE	–	FG9G7400WHT	–	BRUTE CONTAINER & SLIDING LID WITH 3-CUP SCOOP
WHITE	–	–	FG9G7500WHT	BRUTE CONTAINER & SLIDING LID WITH 4-CUP SCOOP



ProSave Ingredient Container Lid



ProSave Ingredient Container Combination

BRUTE® GREENSKEEPER® COMBINATIONS			
COLOR	20 GALLON	32 GALLON	PRODUCT DESCRIPTION
WHITE	FG262400WHT	FG263600WHT	CONTAINER, LID & DOLLY



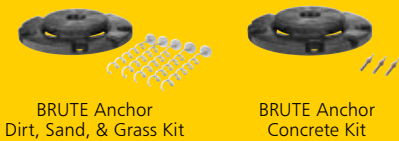
BRUTE GreensKeeper Combination

BRUTE® MOBILITY ACCESSORIES	
ITEM#	PRODUCT DESCRIPTION
1997410	BRUTE CONSTRUCTION AND LANDSCAPE DOLLY
1997801	BRUTE MULTI-SURFACE DOLLY
FG264000BLA	BRUTE SINGLE DOLLY
FG264043BLA	BRUTE QUIET DOLLY
1867534	EXECUTIVE BRUTE DOLLY WITH QUIET CASTERS
FG264600BLA	BRUTE TANDEM DOLLY
FG265100BLA	BRUTE TRAINABLE DOLLY-1 PACK
FG265200BLA	BRUTE TRAINABLE DOLLY PULL HANDLE



BRUTE Construction & Landscape Dolly BRUTE Multi-Surface Dolly Single Dolly Quiet Dolly Tandem Dolly Trainable Dolly

BRUTE® ANCHORS	
ITEM#	PRODUCT DESCRIPTION
1997802	BRUTE ANCHOR-DIRT, SAND, & GRASS KIT
1997803	BRUTE ANCHOR-CONCRETE KIT



BRUTE Anchor Dirt, Sand, & Grass Kit BRUTE Anchor Concrete Kit

BRUTE® CLEANING ACCESSORIES	
ITEM#	PRODUCT DESCRIPTION
FG264200YEL	BRUTE CADDY BAG—YELLOW
1867533	EXECUTIVE SERIES BRUTE CADDY BAG—BLACK
FG9W8700YEL	BRUTE RIM CADDY
FG264900GRAY	BRUTE MAID CADDY



BRUTE Caddy Bag Executive Series BRUTE Caddy Bag BRUTE Rim Caddy BRUTE Maid Caddy

BRUTE® SELF-DRAINING LIDS					
COLOR	10 GALLON	20 GALLON	32 GALLON	44 GALLON	55 GALLON
GRAY	FG260900GRAY	FG261960GRAY	FG263100GRAY	FG264560GRAY	FG265400GRAY
WHITE	FG260900WHT	FG261960WHT	FG263100WHT	FG264560WHT	FG265400WHT
BLUE	1779700	1779731	FG263100BLUE	1779636	1779733
RED	FG260900RED	FG261960RED	FG263100RED	FG264560RED	FG265400RED
YELLOW	FG260900YEL	FG261960YEL	FG263100YEL	FG264560YEL	FG265400YEL
GREEN	FG260900DGRN	FG261960DGRN	FG263100DGRN	FG264560DGRN	FG265400DGRN
BLACK	1926826	FG261960BLA	1867532	FG264560BLA	1779738



BRUTE Self-Draining Lid

BRUTE® FUNNEL TOP LIDS	
COLOR	32 GALLON
GRAY	FG354300GRAY



BRUTE Funnel Top Lid

BRUTE® DOME TOP LIDS			
COLOR	32 GALLON	44 GALLON	55 GALLON
GRAY	FG263788GRAY	FG264788GRAY	FG265788GRAY
BLUE	1829398	1834840	-
RED	FG263788RED	FG264788RED	FG265788RED
YELLOW	1829399	1834839	-
GREEN	1829397	1834838	-



BRUTE Dome Top Lid

BRUTE® RECYCLING LIDS				
COLOR	OPEN TOP	BOTTLES/CANS	PAPER	MIXED RECYCLING
BLUE	2017965	2018163	2018169	2018215
RED	2017962	2017740	2018166	2018212
YELLOW	2017963	2018161	2018167	2018213
GREEN	2017964	2018162	2018168	2018214
BLACK	2017738	2018164	2018170	2018216
BROWN	2017739	2018165	2018211	2018217
LABELS	1977788			



Open Top Bottles/Cans Paper Mixed Recycling



BRUTE

RCP-J1171 | 174572
©2017 Rubbermaid Commercial Products LLC
8900 Northpointe Executive Park Drive, Huntersville, NC 28078

To see our complete range of refuse solutions visit our online catalog at RubbermaidCommercial.com