

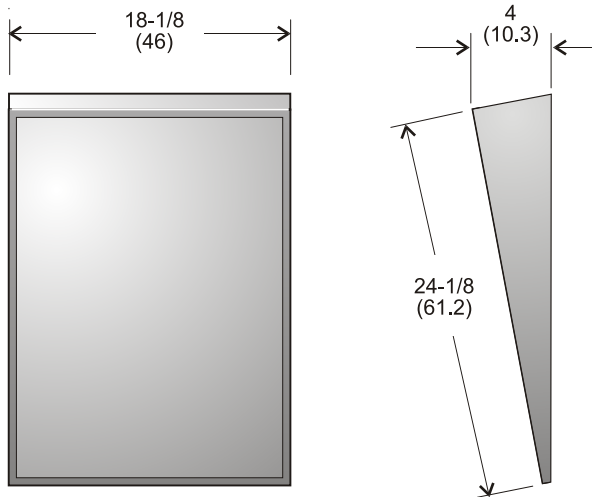


## Solid Frame, One Piece Fixed Tilt Mirrors

- Code 945FT-1630:** Solid Frame, fixed tilt mirror, 16" x 30"  
**Code 945FT-1824:** Solid Frame, fixed tilt mirror, 18" x 24"  
**Code 945FT-2436:** Solid Frame, fixed tilt mirror, 24" x 36"

Dimensions are in inches (centimeters in brackets)

**One  
Piece  
Frame**



### Code 945FT-1824

#### Specifications:

- Site Location:**
- The Code 945FT line of mirrors are ideal for locations requiring additional durability and clean seamless detailing.
- Features:**
- One piece 18 ga. stainless steel frame has welded and polished corners to provide the ultimate in rigidity and ease of maintenance.
  - Comes in #4 brushed finish.
  - Vandal resistant concealed mounting.
  - 6mm glass
  - Quick snap on mounting minimizes installation time.
- Shipping Weight:** 945FT-1824: 13.5 kg. (30 lbs.), shipped two per carton.
- Installation:** Position bottom of mirrors 48" (121) from floor. Positions may vary depending on the type of installation. Quick snap on mounting minimizes installation time.



- Quality
- Value
- Service

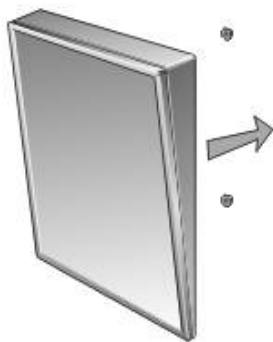
**Tech  
Reference**

---

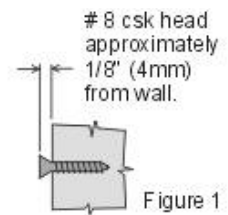
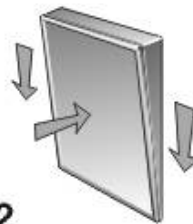
## Fixed Tilt Mirror Installation Guide

Code 945FT 18"x24" shown

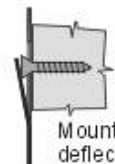
- 1** Insert four mounting screws into wall matching the holes centres on mirror frame. Insure they are at the correct depth as shown in fig. 1



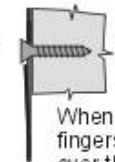
- 2** Register mirror frame to mounting screws and press mirror firmly against the wall and pull down



Fixed Tilt Mirrors Side View



Mounting system deflects the metal fingers on the back



When the metal fingers slip back over the screw head, the mirror is secured.

---

### Specifications:

**Installation:** Position bottom of mirror 48" (121) from floor. Positions may vary depending on size and the type of installation.

---

Description and specifications applicable on date issued. Frost reserves the right to make improvements or changes without notice.



April 1st, 2015

## **Warranty and Order Fulfillment Policy**

### **General Warranty:**

If any product or part proves to be defective within 12 months from date of shipment from the factory it will be repaired or replaced without any charge including freight costs when authorized. Costs resulting from the installation or removal of defective products are not covered under this warranty. Discolouration to stainless steel parts resulting from exposure to harsh environmental and / or chemicals are not considered to be defects in workmanship or material and are not covered under warranty.

### **Mirror Warranty:**

Frost Products Ltd is a leading manufacturer of mirrors for commercial and institutional installations. Frost offers vandal resistant channel frame, frameless, and Barrier free tilt designs. We offer standard float glass, tempered glass, laminated glass, and stainless steel face options. All Frost mirrors are covered under our standard complete product warranty. Mirror glass is conforming to GS12GD5A type 1B, guaranteed against silver spoilage for 10 years. Note; on tempered mirrors the tempering process may produce slight distortion in mirror reflection when viewed from a distance. Mirror back plate consists of shock resistant primary back combined with galvanized second back plate and vandal resistant mounting system. All stainless steel face mirrors use 20 ga. XL buff stainless steel reflective surfaces.

### **Hand Dryer Warranty:**

Frost's hand dryers come with a complete 5 year warranty from date of purchase. Motor assembly and all working parts must be kept clean from excessive dirt/dust and any form of foreign debris. Failure to maintain a unit may reduce performance and result in void of warranty.

### **Frost Order Fulfillment Policy:**

Frost requires 48 hours to process orders. We do our best to ensure all orders are shipped within 48 hours of receiving the order. We will try to accommodate rush orders, however we cannot guarantee products will be shipped prior to 48 hours from order receipt.