



# Slim Jim®

The Slim Jim® container delivers the durability needed for commercial environments combined with brand new innovation to increase worker productivity. New product features and accessories deliver the most efficient solution for collection, transportation, and disposal of multi-stream waste and recyclables.

## Features and Benefits:

- Venting channels make removing liners up to 80% easier, improving productivity and reducing the risk of worker injury
- Four bag cinches secure liners around the rim of the container and allow for quick, knot-free liner changes
- Handles at the base and rim of the container improve grip and control while lifting and emptying full containers
- Rim with rib-strengthened design increases strength and resists crushing
- Build a recycling station with a variety of dolly and lid options to meet any facility need

## COLORS AVAILABLE

Blue, Green, Black, Beige, Brown, Gray, Yellow\*, Red\*

\* 23-gallon only

## Material Composition:

Injection molded with a high-quality resin blend.

## Accessories:

### STAINLESS STEEL DOLLIES

- Slim Jim® Single Dolly
- Slim Jim® Double Dolly
- Slim Jim® Triple Dolly
- Slim Jim® Quadruple Dolly

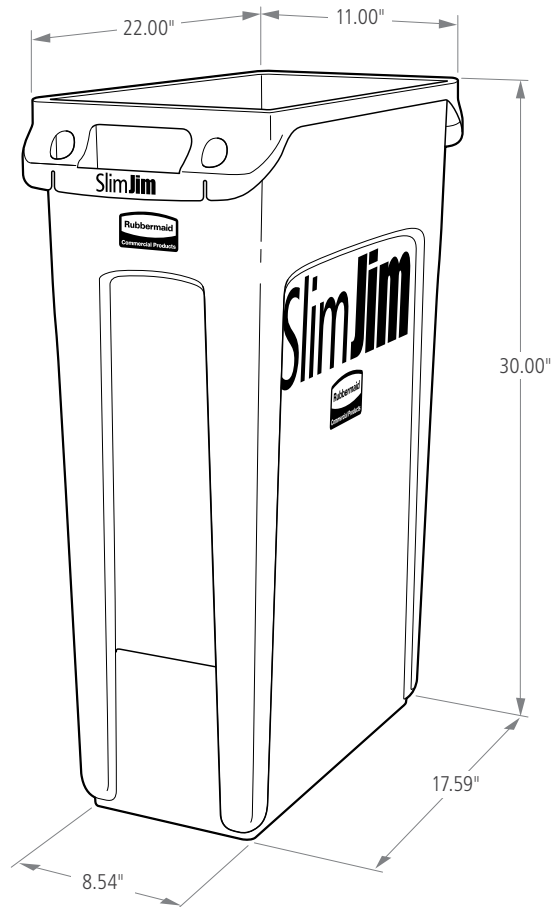
### RESIN DOLLY

- Slim Jim® Trainable Dolly

### LIDS

- Bottles and Cans Lid
- Paper Lid
- Mixed Recycling Lid
- Hinged Lid
- Swing Lid

# SLIM JIM® CONTAINERS



23-Gallon Slim Jim® Container



16-Gallon Slim Jim® Container

# SLIM JIM® CONTAINERS

SKU #	DESCRIPTION	COLOR	CAPACITY		LENGTH		WIDTH		HEIGHT		PACK SIZE
			GAL	L	IN	CM	IN	CM	IN	CM	
1971258	SLIM JIM® CONTAINER	GRAY	16	61	22"	55.88	11"	27.94	25"	63.50	4
1955959	SLIM JIM® CONTAINER	BLACK	16	61	22"	55.88	11"	27.94	25"	63.50	4
1971259	SLIM JIM® CONTAINER	BEIGE	16	61	22"	55.88	11"	27.94	25"	63.50	4
1956181	SLIM JIM® CONTAINER	BROWN	16	61	22"	55.88	11"	27.94	25"	63.50	4
1971257	SLIM JIM® CONTAINER	BLUE	16	61	22"	55.88	11"	27.94	25"	63.50	4
1955960	SLIM JIM® CONTAINER	GREEN	16	61	22"	55.88	11"	27.94	25"	63.50	4
FG354060GRAY	SLIM JIM® CONTAINER	GRAY	23	87	22"	55.88	11"	27.94	30"	76.20	4
FG354060BLA	SLIM JIM® CONTAINER	BLACK	23	87	22"	55.88	11"	27.94	30"	76.20	4
FG354060BEIG	SLIM JIM® CONTAINER	BEIGE	23	87	22"	55.88	11"	27.94	30"	76.20	4
1956187	SLIM JIM® CONTAINER	BROWN	23	87	22"	55.88	11"	27.94	30"	76.20	4
1956185	SLIM JIM® CONTAINER	BLUE	23	87	22"	55.88	11"	27.94	30"	76.20	4
1956186	SLIM JIM® CONTAINER	GREEN	23	87	22"	55.88	11"	27.94	30"	76.20	4
1956188	SLIM JIM® CONTAINER	YELLOW	23	87	22"	55.88	11"	27.94	30"	76.20	4
1956189	SLIM JIM® CONTAINER	RED	23	87	22"	55.88	11"	27.94	30"	76.20	4
FG354007BLUE	SLIM JIM® CONTAINER	BLUE (RECYCLING)	23	87	22"	55.88	11"	27.94	30"	76.20	4
FG354007GRN	SLIM JIM® CONTAINER	GREEN (RECYCLING)	23	87	22"	55.88	11"	27.94	30"	76.20	4





**SlimJim**<sup>®</sup>



**SLIM JUST GOT SMARTER**



**THE SLIM JIM® CONTAINER** from Rubbermaid Commercial Products delivers the durability needed for commercial environments combined with brand new innovation to increase worker productivity.

This time, we are delivering more than just space efficiency with Slim Jim®. We've added innovative product features and new accessories to bring you the most efficient solution for collection, transportation, and disposal of multi-stream waste and recyclables in tight spaces.

With four venting channels that make removing liners up to 80% easier than traditional containers, and integrated cinches that allow for quick, knot-free liner changes, the Slim Jim® container with venting channels helps you get the job done more efficiently.



## 80% EASIER TO LIFT LINERS

The Slim Jim® container is designed with four built-in venting channels that create airflow throughout the container. This air circulation reduces the vacuum effect that occurs when lifting out liners in traditional containers. By reducing the pull force required to lift out liners by up to 80%, the Slim Jim® container improves productivity and reduces the risk of injury.

800.347.9800



## IMPROVED PRODUCTIVITY



### VENTING CHANNELS

Make removing liners 80% easier, improving productivity and reducing the risk of worker injury.



### BAG CINCHES

Secure liners around the rim of the container and allow for quick, knot-free liner changes.



### BASE AND RIM HANDLES

Improve grip and control while lifting and emptying full containers.



### MULTIPLE DOLLY OPTIONS

Allow for efficient collection and transportation of up to four Slim Jim® containers.



**REDUCE THE RISK OF WORKER INJURY**

Venting channels reduce the risk of worker injury from overexertion, a leading cause of workplace injuries associated with managing refuse. With the Slim Jim® container, workers can complete the job more comfortably and efficiently than with traditional containers.

800.347.9800



## DESIGNED TO LAST



### REINFORCED RIM

Maintains structural integrity to resist crushing.



### COMMERCIAL-GRADE CONSTRUCTION

With high-quality resin material.



### ROBUST RIM HANDLES

Resists tearing and damage during lifting and moving.



### STAINLESS STEEL DOLLIES

Easy to clean. Won't rust or chip.





**FITS IN THE TIGHTEST SPACES**

Made in the USA, the Slim Jim® container with venting channels features a slim, proprietary design constructed of high-quality material to fit in tight spaces and ensure a long life in tough commercial environments.

800.347.9800



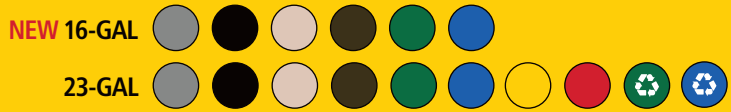
## SLIM JIM® CONTAINERS



### EXPANDED OFFERING

Now available in both 16- and 23-gallon capacities and up to eight different colors, the Slim Jim® container is designed to fit any space or need.

#### COLORS AVAILABLE:



### SLIM JIM® CONTAINERS

	DESCRIPTION	ITEM #	COLOR	PRODUCT WEIGHT (LBS)	L (IN)	W (IN)	H (IN)
16-GALLON	SLIM JIM® CONTAINER	1971258	GRAY	6.41	22.00"	11.00"	25.00"
	SLIM JIM® CONTAINER	1955959	BLACK	6.41	22.00"	11.00"	25.00"
	SLIM JIM® CONTAINER	1971259	BEIGE	6.41	22.00"	11.00"	25.00"
	SLIM JIM® CONTAINER	1956181	BROWN	6.41	22.00"	11.00"	25.00"
	SLIM JIM® CONTAINER	1971257	BLUE	6.41	22.00"	11.00"	25.00"
	SLIM JIM® CONTAINER	1955960	GREEN	6.41	22.00"	11.00"	25.00"
23-GALLON	SLIM JIM® CONTAINER	FG354060GRAY	GRAY	7.89	22.00"	11.00"	30.00"
	SLIM JIM® CONTAINER	FG354060BLA	BLACK	7.89	22.00"	11.00"	30.00"
	SLIM JIM® CONTAINER	FG354060BEIG	BEIGE	7.89	22.00"	11.00"	30.00"
	SLIM JIM® CONTAINER	1956187	BROWN	7.89	22.00"	11.00"	30.00"
	SLIM JIM® CONTAINER	1956185	BLUE	7.89	22.00"	11.00"	30.00"
	SLIM JIM® CONTAINER	1956186	GREEN	7.89	22.00"	11.00"	30.00"
	SLIM JIM® CONTAINER	1956188	YELLOW	7.89	22.00"	11.00"	30.00"
	SLIM JIM® CONTAINER	1956189	RED	7.89	22.00"	11.00"	30.00"
	SLIM JIM® CONTAINER	FG354007BLUE	BLUE (RECYCLING)	7.89	22.00"	11.00"	30.00"
	SLIM JIM® CONTAINER	FG354007GRN	GREEN (RECYCLING)	7.89	22.00"	11.00"	30.00"



800.347.9800



# SLIM JIM® ACCESSORIES

## DOLLIES FOR SLIM JIM® CONTAINERS

DESCRIPTION	ITEM #	PRODUCT WEIGHT (LBS)	L (IN)	W (IN)	H (IN)
STAINLESS STEEL SINGLE DOLLY	1968468	5.00	20.00"	9.30"	9.00"
STAINLESS STEEL DOUBLE DOLLY	1956191	8.00	20.00"	20.60"	9.00"
STAINLESS STEEL TRIPLE DOLLY	1956192	12.00	20.00"	32.50"	9.00"
STAINLESS STEEL QUADRUPLE DOLLY	1956193	15.00	20.00"	44.00"	9.00"
RESIN TRAINABLE DOLLY	1980602	8.00	23.85"	14.71"	8.36"



Single Dolly



Double Dolly



Triple Dolly



Quadruple Dolly

### STAINLESS STEEL DOLLIES

- Collect and transport up to four Slim Jim® containers
- Constructed of quality stainless steel material that is easy to clean and won't rust or chip in commercial environments
- Features 3" nonmarking quiet casters that allow for smooth and quiet maneuverability
- Locking feature on casters creates a stable recycling station or collection site
- Fits both 16- and 23-gallon Slim Jim® containers



Resin Trainable Dolly

### RESIN TRAINABLE DOLLY\*

- Features a side clip-on connection that allows you to train several dollies together for collection and transportation purposes
- Foot pedal release makes disconnecting dollies quick and easy
- Structural foam construction ensures maximum durability in commercial environments
- Fits both 16- and 23-gallon Slim Jim® containers

\*Each dolly sold separately

# LIDS FOR SLIM JIM® CONTAINERS

DESCRIPTION	ITEM #	COLOR	PRODUCT WEIGHT (LBS)	L (IN)	W (IN)	H (IN)
SWING LID	FG267360BEIG	BEIGE	12.50	20.50"	11.40"	5.00"
SWING LID	FG267360BLA	BLACK	12.50	20.50"	11.40"	5.00"
SWING LID	FG267360BLUE	BLUE	12.50	20.50"	11.40"	5.00"
SWING LID	FG267360GRAY	GRAY	12.50	20.50"	11.40"	5.00"
SWING LID	1829400	GREEN	12.50	20.50"	11.40"	5.00"
BOTTLES AND CANS LID	FG269288BLUE	BLUE	3.90	20.40"	11.30"	2.80"
BOTTLES AND CANS LID	FG269288BRN	BROWN	3.90	20.40"	11.30"	2.80"
BOTTLES AND CANS LID	FG269288GRN	GREEN	3.90	20.40"	11.30"	2.80"
BOTTLES AND CANS LID	FG269288RED	RED	3.90	20.40"	11.30"	2.80"
BOTTLES AND CANS LID	FG269288YEL	YELLOW	3.90	20.40"	11.30"	2.80"
PAPER LID	FG270388BLUE	BLUE	4.10	20.50"	11.50"	2.80"
PAPER LID	FG270388GRN	GREEN	4.10	20.50"	11.50"	2.80"
MIXED RECYCLING LID	1788373	GREEN	3.90	20.40"	11.30"	2.80"
MIXED RECYCLING LID	1788372	BLUE	3.90	20.40"	11.30"	2.80"
HINGED LID	FG267400BLA	BLACK	6.50	21.90"	13.50"	1.20"



Swing Lid

## SWING LID

- Conceals waste from view and provides no-touch access



Paper Lid



Bottles and Cans Lid



Mixed Recycling Lid

## RECYCLING LIDS

- Encourage waste separation and recycling with interchangeable color-coded tops



Hinged Lid

## HINGED LID

- Folds flat while in use and completely covers waste when closed

# SLIM JIM® RECYCLING LABEL KIT

DESCRIPTION	ITEM #	PACK	L (IN)	W (IN)	H (IN)
RECYCLING LABEL KIT VERSION E	1977789	7	N/A	N/A	N/A



## RECYCLING LABEL KIT FOR SLIM JIM® CONTAINERS

The Slim Jim® recycling label kit contains seven intuitive waste stream decals, ensuring waste sortation accuracy.



162710 | RCP1034

©2016 Rubbermaid Commercial Products LLC  
8900 Northpointe Executive Park Drive, Huntersville, NC 28078

To see our complete range of refuse solutions visit our online catalog at [rubbermaidcommercial.com](http://rubbermaidcommercial.com)

