



Ingenuity Meets Versatility.

Electronic Touchless Towel Systems



Small. *Quiet.* Versatile.



Convert existing mechanical SANITOUCH* Dispensers (09990, 09991, 09994, 09995, 09996) to electronic by simply replacing the module

Innovative modular design

- Convert existing mechanical SANITOUCH* Dispensers (09990, 09991, 09994, 09995, 09996) to electronic by simply replacing the module
- Complete electronic dispensers are also available in smoke, white or stainless finishes
- **Adjustable settings** for sheet length, time delay and sensitivity
- **Smart sensor location** on the bottom of the unit allows for natural hand placement; waving the hand is not necessary
- **Highest capacity towels** compared to Georgia-Pacific, SCA and Baywest electronic dispensers
- **Flexibility** – Only one towel (SKU) needed for any combination of electronic and mechanical dispensers
- **Quieter than enMotion®** – reduces noise in the restroom¹
- **AC adapter available** – see back page for recommendations (4 D-cell batteries included)



Variable Switch Settings,
from **low** (top position) to **high** (bottom position)
[Recommended settings shown in bold]

Sheet Length Switch
(8", 11", 14")

Time Delay Switch
(0.5, **1.0**, 2.0 seconds)

Sensitivity Distance
(**low**, medium, high)

The Brands You Know:

**KLEENEX® & SCOTT®
Hard Roll Towels**

Choose the brand that fits your needs



- Our best towel
- High capacity 600' roll — fewer runouts
- Featuring exclusive ABSORBENCY POCKETS* for better absorbency
- Available in convenient 6-roll case
- Meets EPA guidelines for recycled content²



- The practical choice
- Ultra high capacity towels (950')
- Featuring exclusive ABSORBENCY POCKETS* for better absorbency
- Reduced maintenance time
- Available in convenient 6-roll case
- Meets EPA guidelines for recycled content²

Easy to Load:

1. Place roll on the hubs
2. Position the leading edge of the roll under the transfer bar and release
3. Press the sheet feed button

Low Product Indicator Light:

- Low product – blinking yellow

Low Battery Indicator Light:

- Low battery – blinking red
- Battery life of up to one year in a moderate use environment (up to 30 rolls)

AC/DC Adaptable: unit can be plugged into the wall and eliminate batteries (*not visible here*)

¹ Based on an independent research study, KIMBERLY-CLARK PROFESSIONAL® Electronic Touchless Towel Dispensers produced lower sound levels than comparable Georgia-Pacific enMotion® dispensers.

² Meets EPA standards for minimum post consumer waste content: towels 40%



Dispensers

Code	Description	Finish	Dimensions (W x H x D)		Case Count	Product
Module						
09999	Electronic Touchless Roll Towel Replacement Module for SANITOUCH® Dispensers (09990, 09991, 09994, 09995, 09996) (1.75" / 4.4cm hub)	N/A	11.5" x 11.75" x 8.0"	29.2cm x 29.8cm x 20.3cm	1	50606, 02000
Stainless Steel Recessed (Includes Module)						
09998	Electronic Touchless Roll Towel Recessed Dispenser <i>Includes Module</i> (1.75" / 4.4cm hub)	Stainless Steel	13.3" x 16.6" x 5.1"	33.8cm x 42.2cm x 13.0cm	1	50606, 02000
Plastic Surface Mount (Includes Module)						
09992	Electronic Touchless Roll Towel Dispenser <i>Includes Module</i> (1.75" / 4.4cm hub)	Smoke/Grey	12.6" x 16.1" x 10.2"	32.0cm x 40.8cm x 25.9cm	1	50606, 02000
09993	Electronic Touchless Roll Towel Dispenser <i>Includes Module</i> (1.75" / 4.4cm hub)	Pearl White	12.6" x 16.1" x 10.2"	32.0cm x 40.8cm x 25.9cm	1	50606, 02000

Recommended AC Adapter for electronic towel module: Radio Shack Stock No. 273-1667 OR
 Radio Shack Stock No. 273-1766 AND Right Angled Plug Stock No. 273-1717.

Hard Roll Towels

	Code	Description	Color	Ply	Size (W x L)		Qty/ Pack	Packs/ Case	Qty/ Case		
	50606	KLEENEX® Hard Roll Towels (1.75" / 4.4cm Core)	White	1	8" x 600'	20.3cm x 182.9m	600'	182.9m	6 rolls	3,600 ft.	1,097m
	02000	SCOTT® High Capacity Hard Roll Towels (1.75" / 4.4cm Core)	White	1	8" x 950'	20.3cm x 289.5m	950'	289.5m	6 rolls	5,700 ft.	1,737m



Our Guarantee

Your total satisfaction means everything to us. If, for any reason, our products do not meet your expectations, Kimberly-Clark will reimburse you† for your initial purchase, via FREE product, for up to \$1,000.

For more information on KIMBERLY-CLARK PROFESSIONAL*, visit us online at www.kcprofessional.com, contact your Kimberly-Clark Sales Representative, or call us at 1-888-346-GOKC (4652).

† Guarantee extended to consuming end-user accounts only.

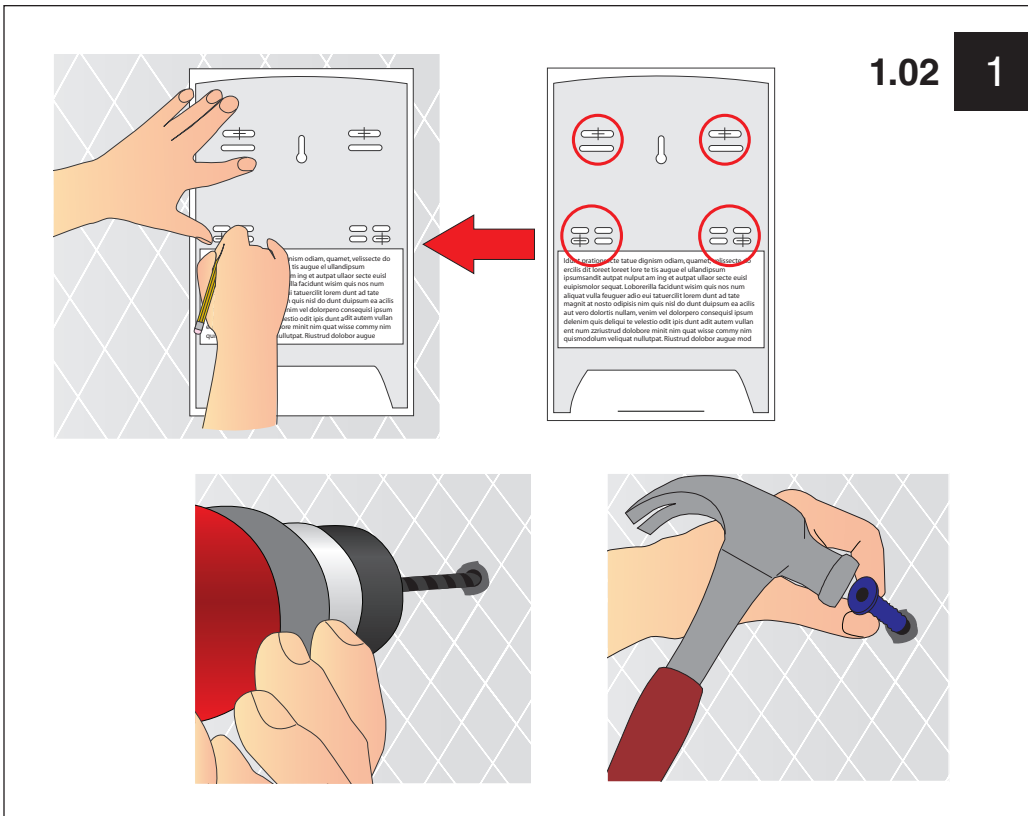
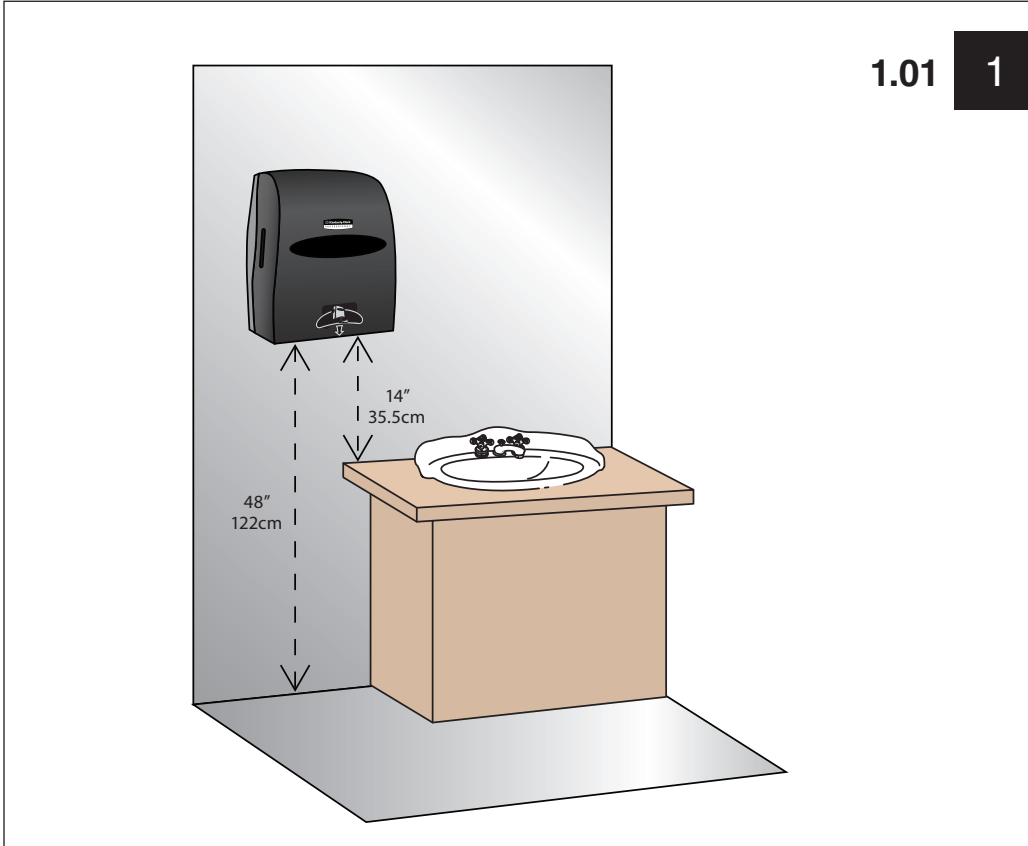


View the new Electronic Touchless Coreless JRT Bath Tissue Dispenser
www.kcprofessional.com/us/mkt/EJRT

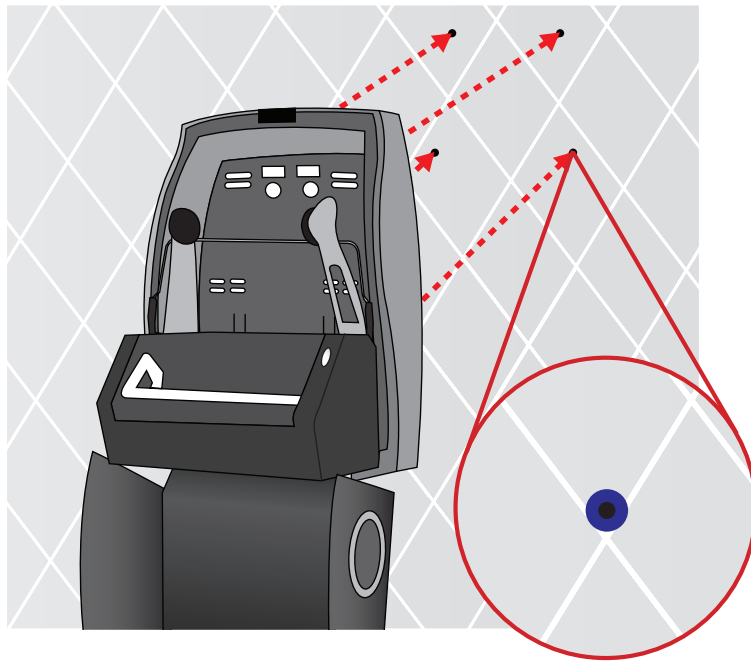
Kimberly-Clark warrants that its products comply with K-C's standard specifications as of the delivery date to K-C's authorized distributors/direct purchasers. Except to the extent prohibited by applicable law: 1) **THIS WARRANTY IS IN LIEU OF ALL OTHER WARRANTIES, EXPRESS OR IMPLIED, INCLUDING ANY WARRANTY OF MERCHANTABILITY OR FITNESS FOR A PARTICULAR PURPOSE;** 2) K-C is not liable for any kind of special, incidental, or consequential damages; and 3) K-C's liability for breach of contract, tort, or other cause of action shall not exceed the product purchase price. Purchasers and users are deemed to have accepted the above warranty and limitation of liability, and cannot change the terms by verbal agreement or by any writing not signed by K-C. To the extent required by applicable law, K-C does not limit its liability for death/injury resulting from K-C's negligence.

®/* Trademarks of Kimberly-Clark Worldwide, Inc. Marques déposées de Kimberly-Clark Worldwide, Inc. © 2008 KCWW.
 ENMOTION is a trademark of Georgia-Pacific Corporation or one of its subsidiaries. K00XXX K0022-07-03 08/08

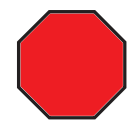
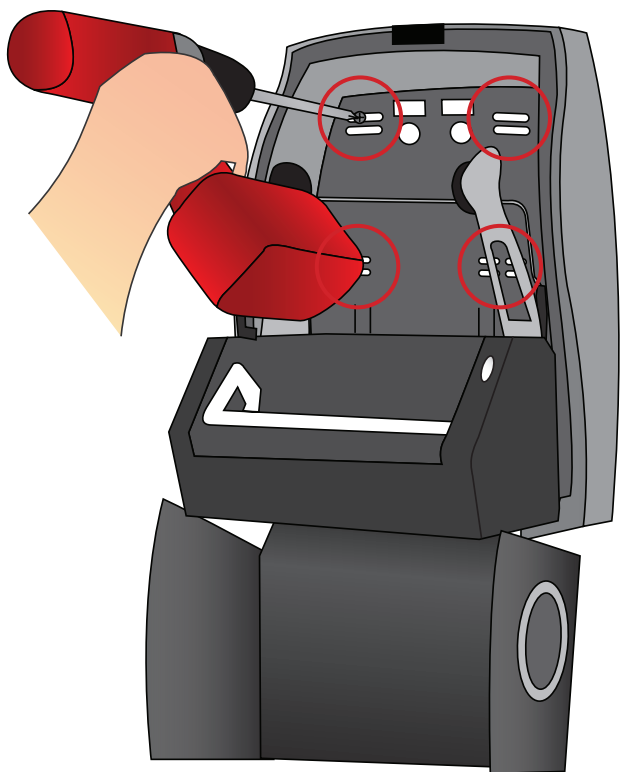
Effective August 2008



1.03 1

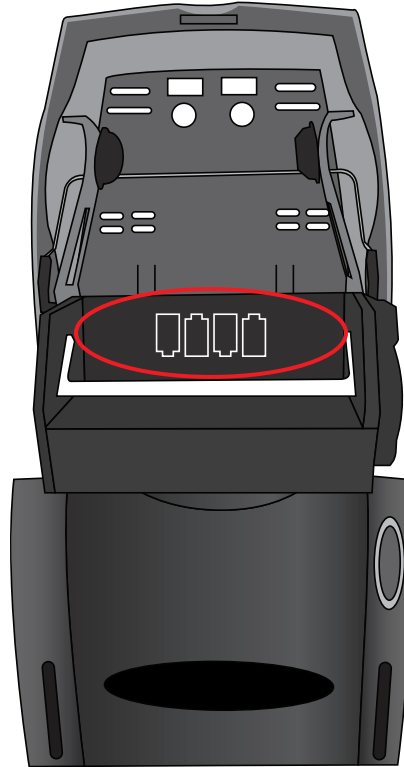


1.04 1



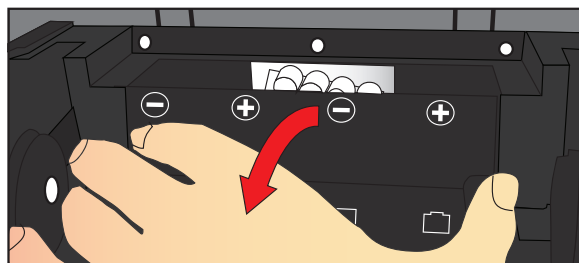
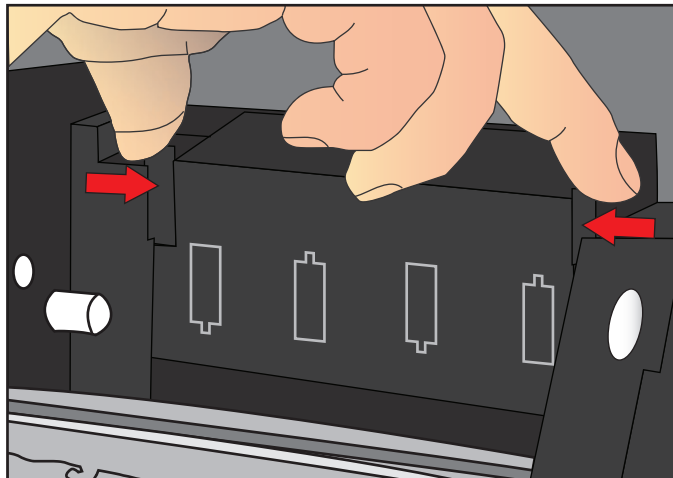
2.01

2



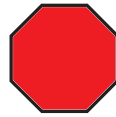
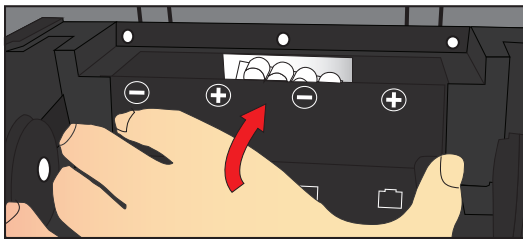
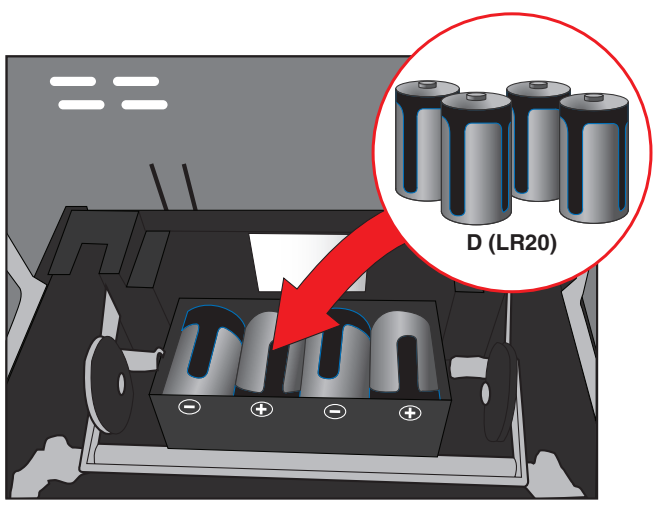
2.02

2

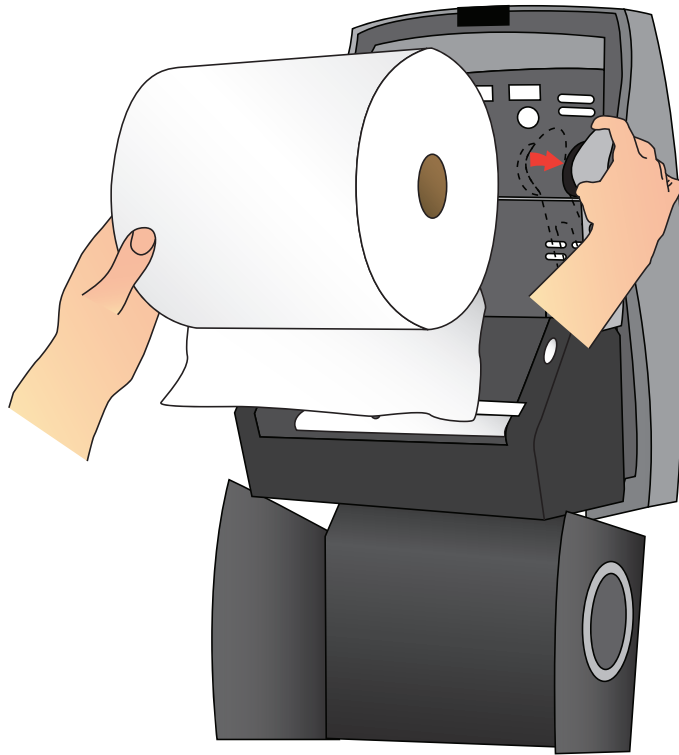


2.03

2

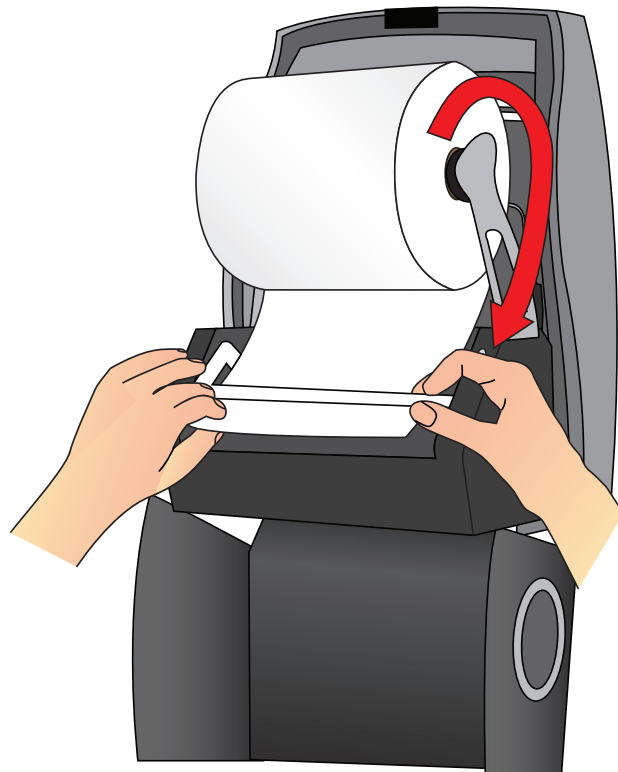


3.01



3

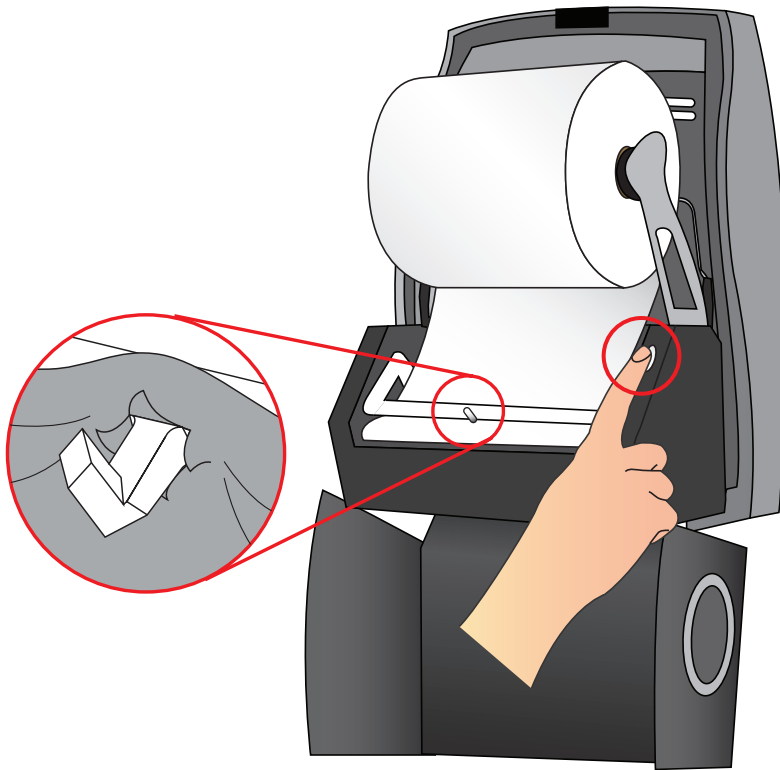
3.02



3

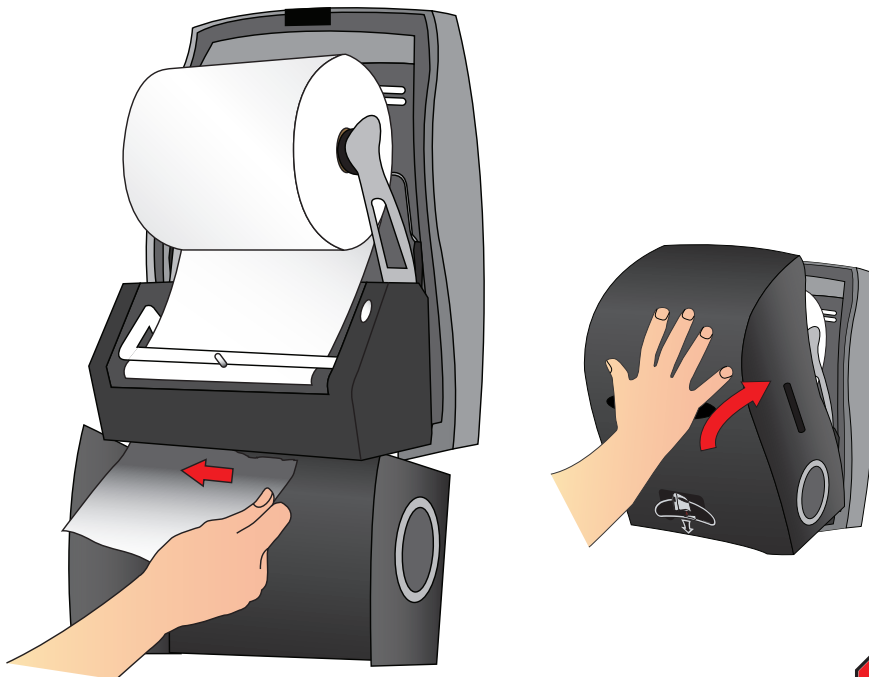
3.03

3



3.04

3

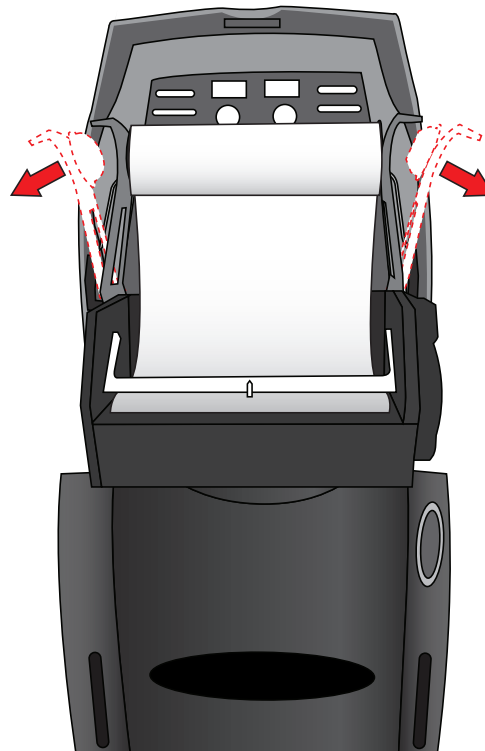


4.01



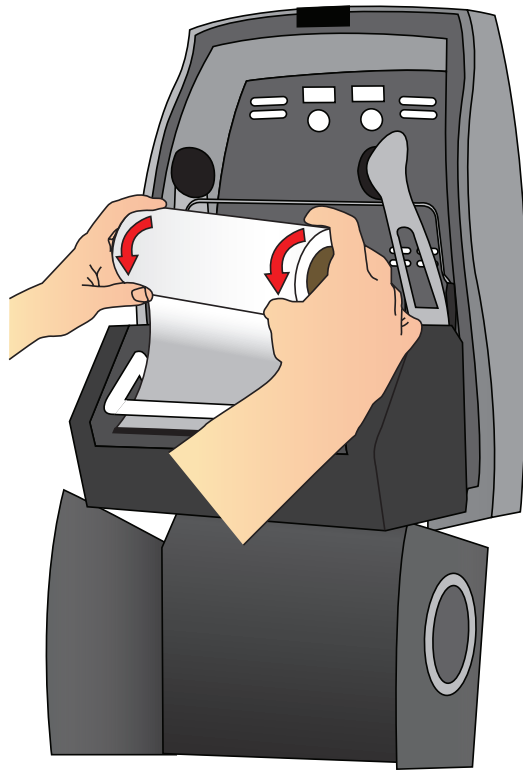
4

4.02



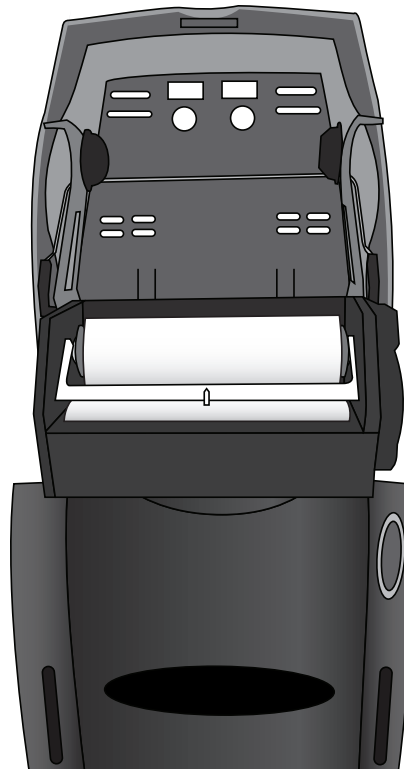
4

4.03



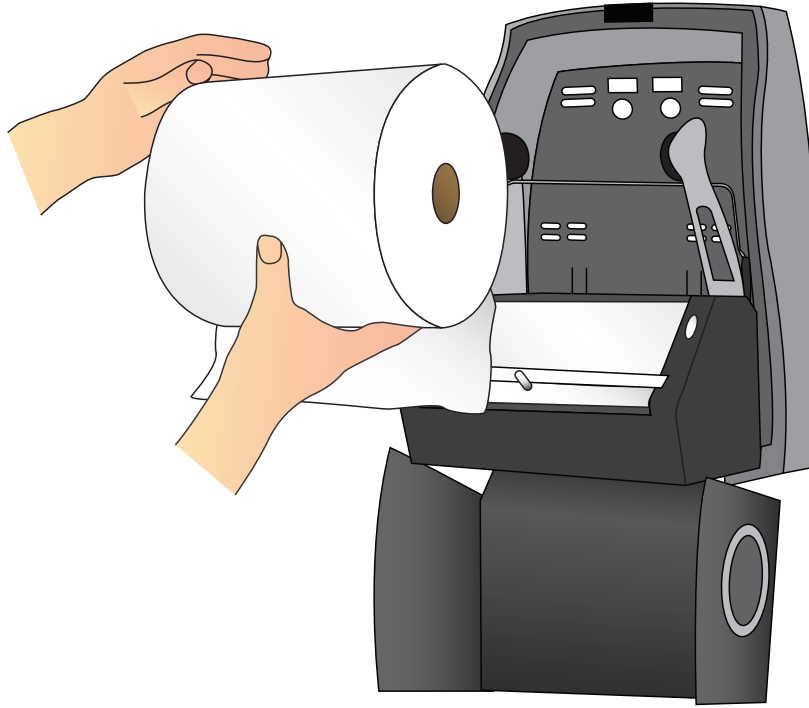
4

4.04



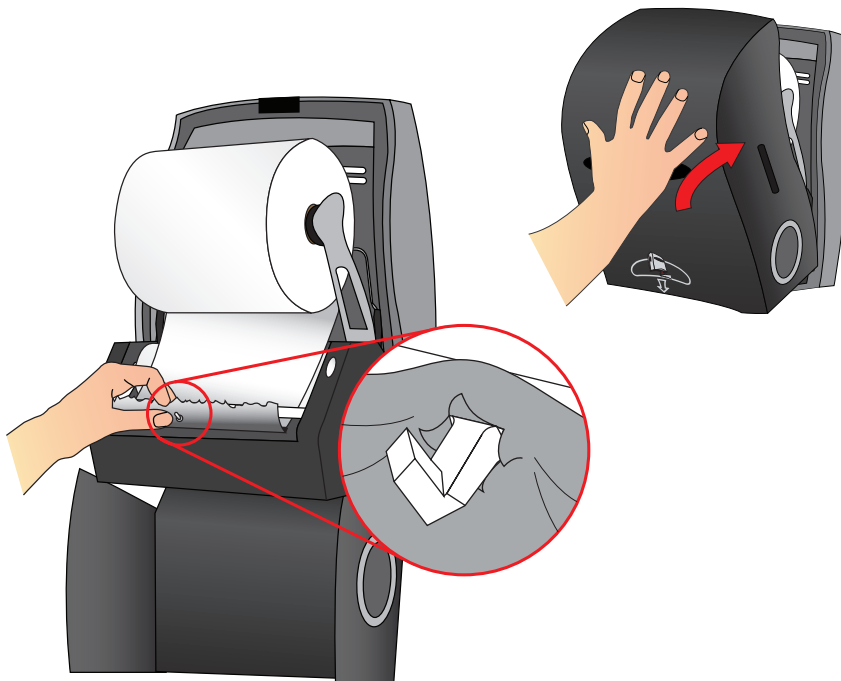
4

4.05



4

4.06



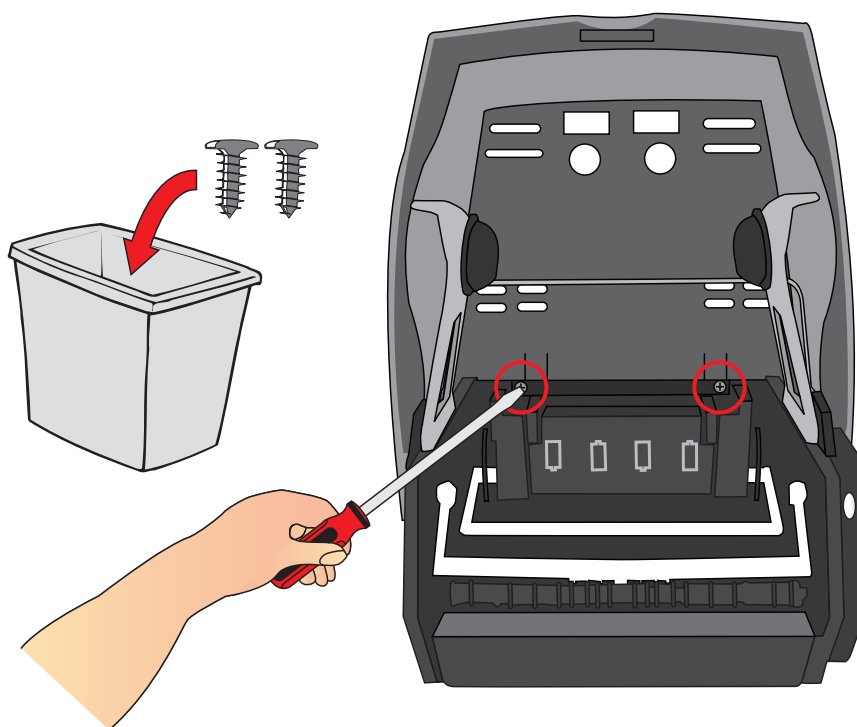
4

5.01



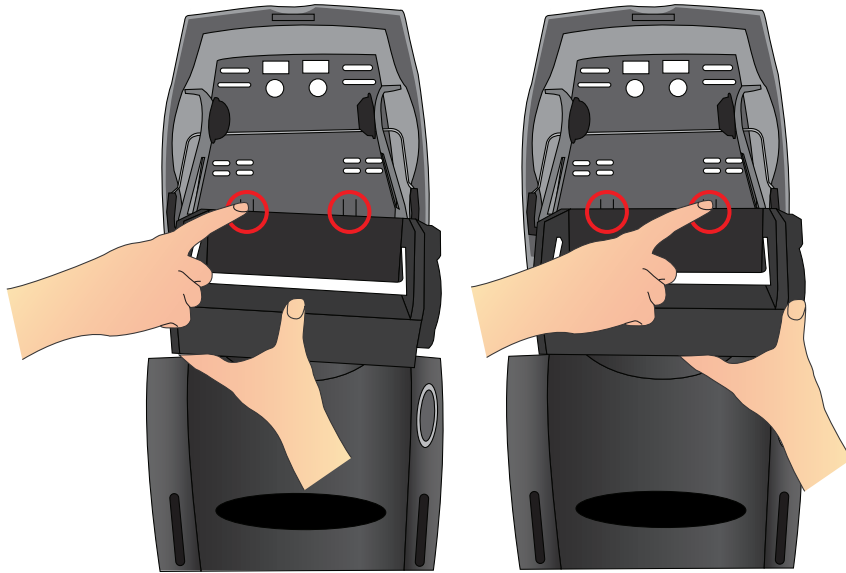
5

5.02



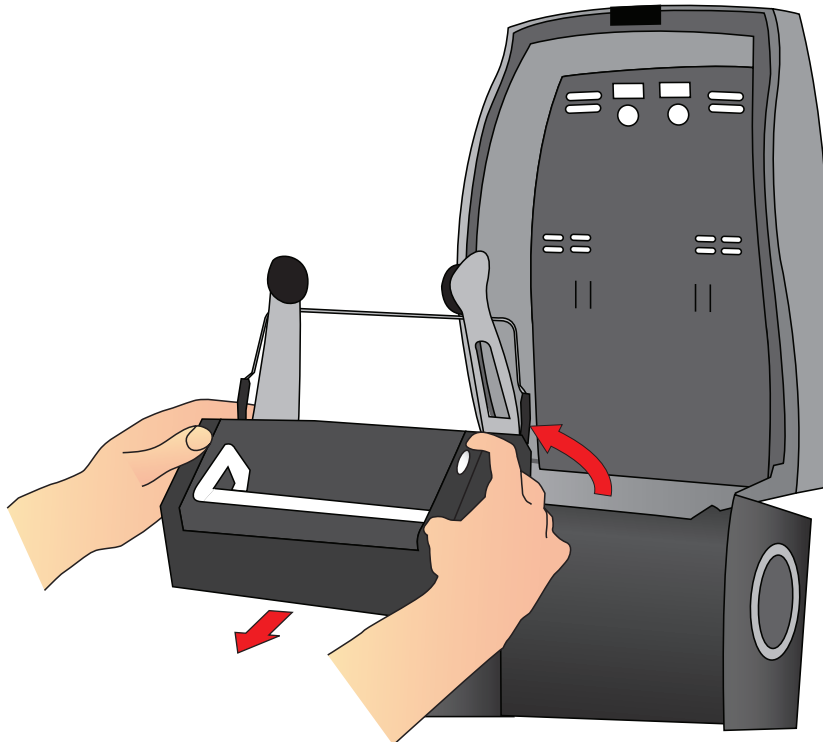
5

5.03



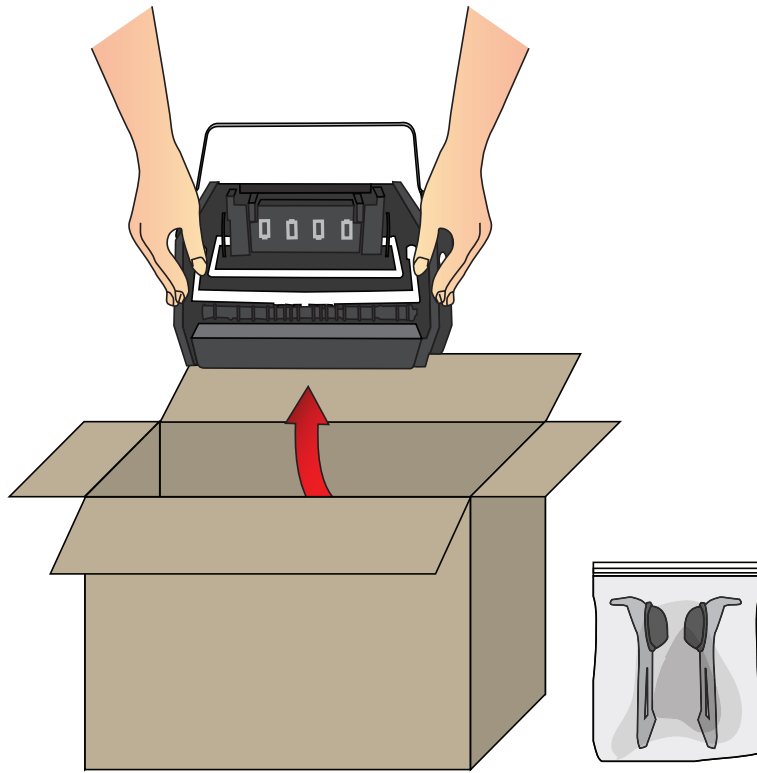
5

5.04



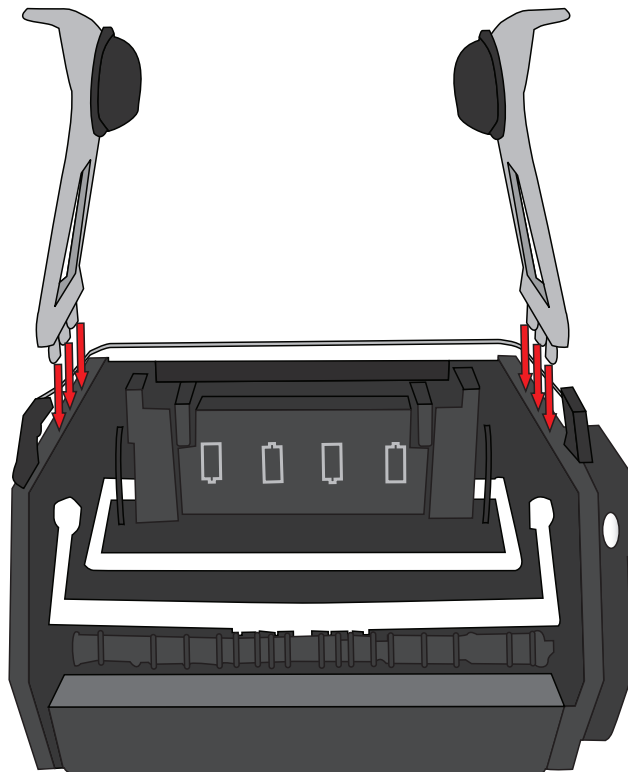
5

5.05



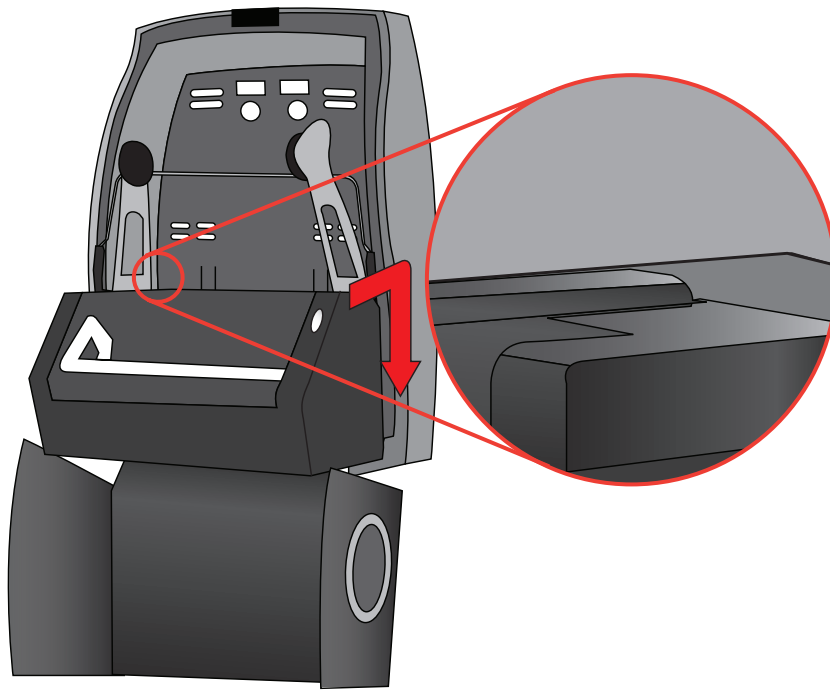
5

5.06



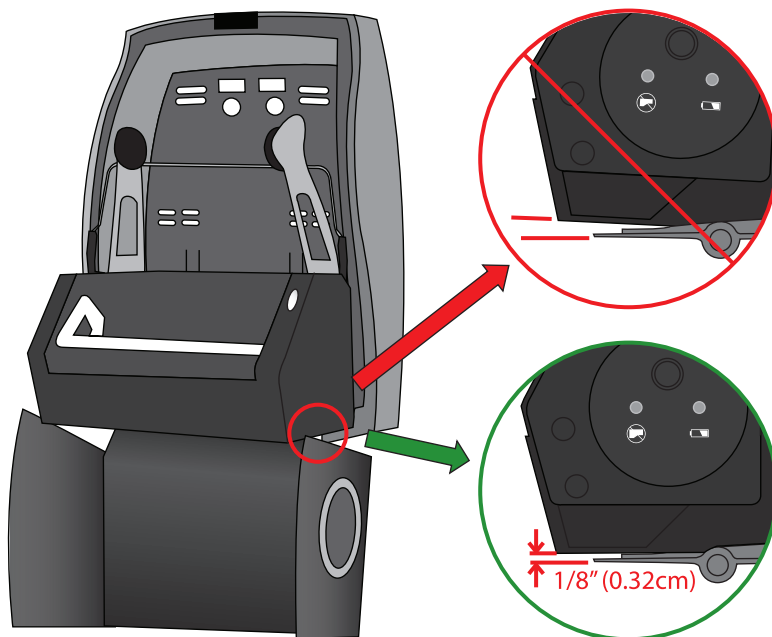
5

5.07

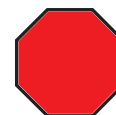


5

5.08



5

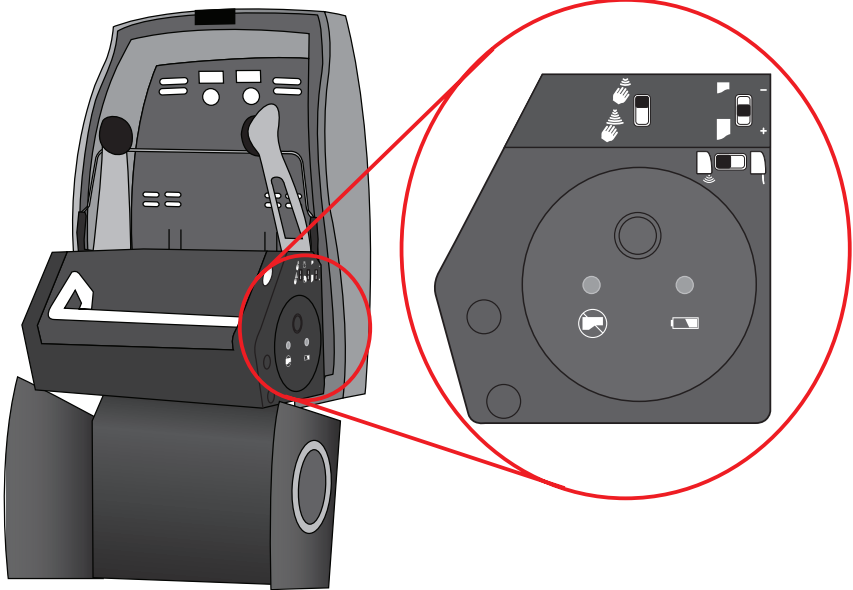


6.01



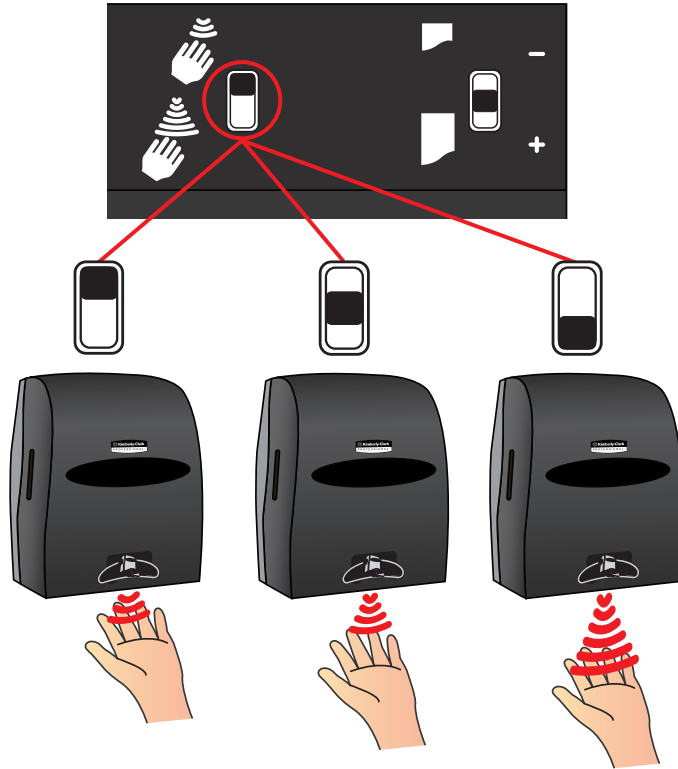
6

6.02



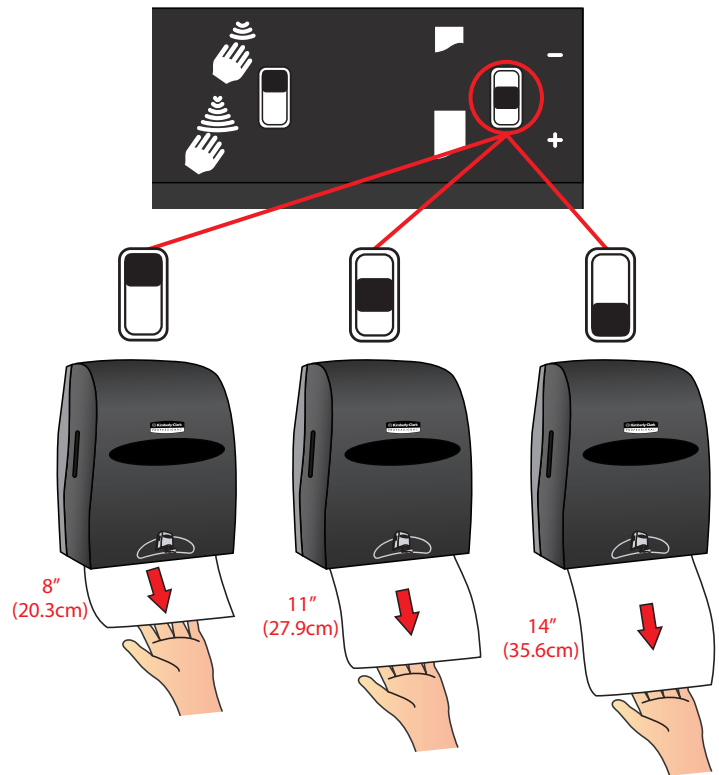
6

6.03



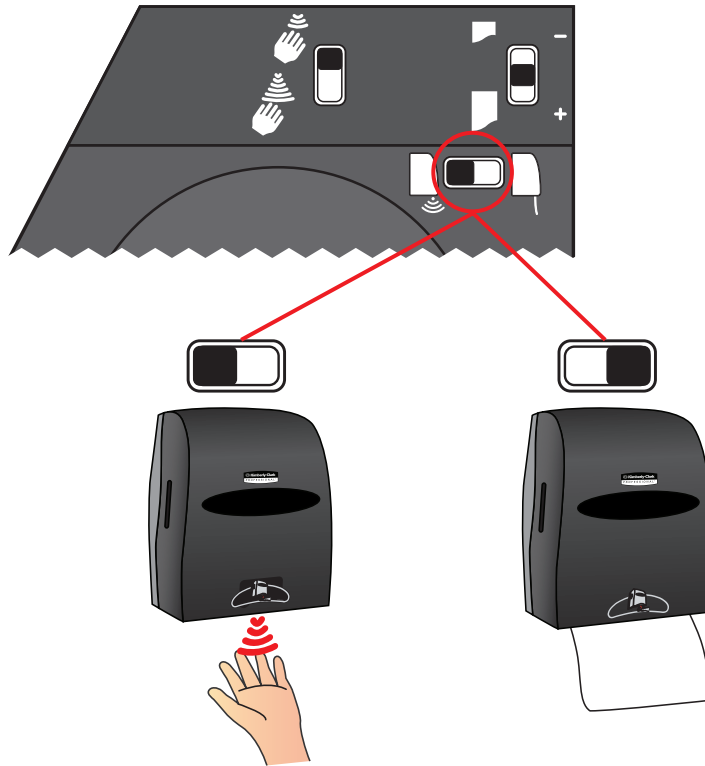
6

6.04



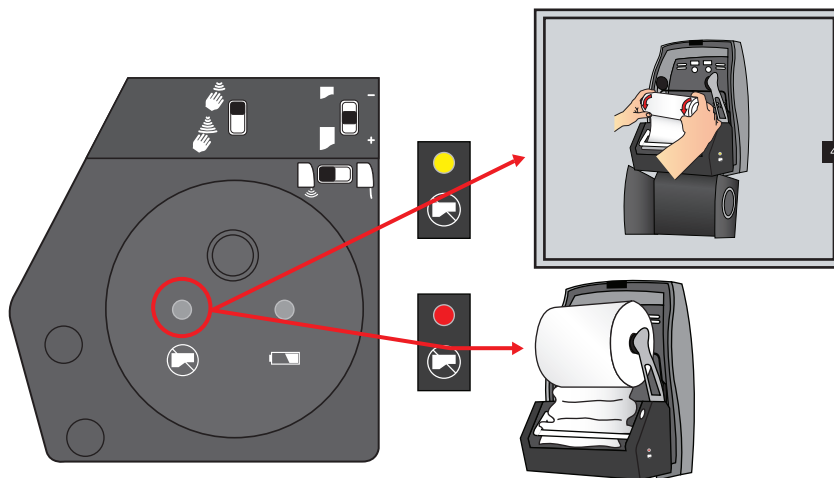
6

6.05



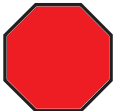
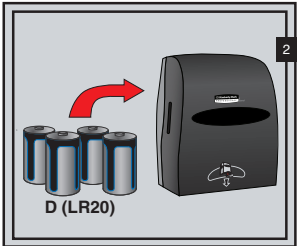
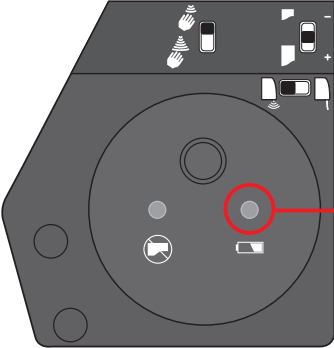
6

6.06



6

6.07



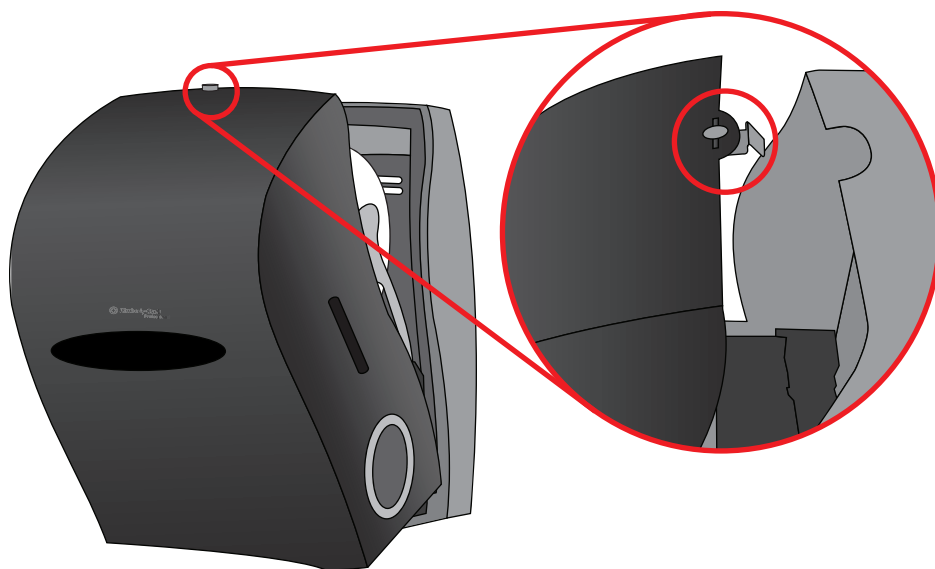
6

7.01



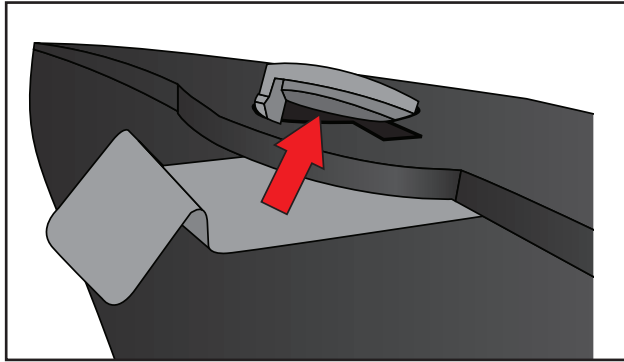
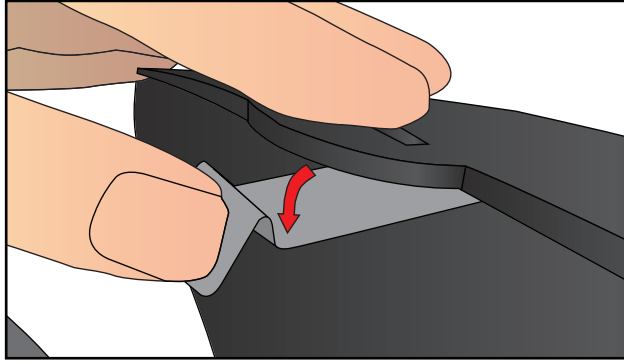
7

7.02



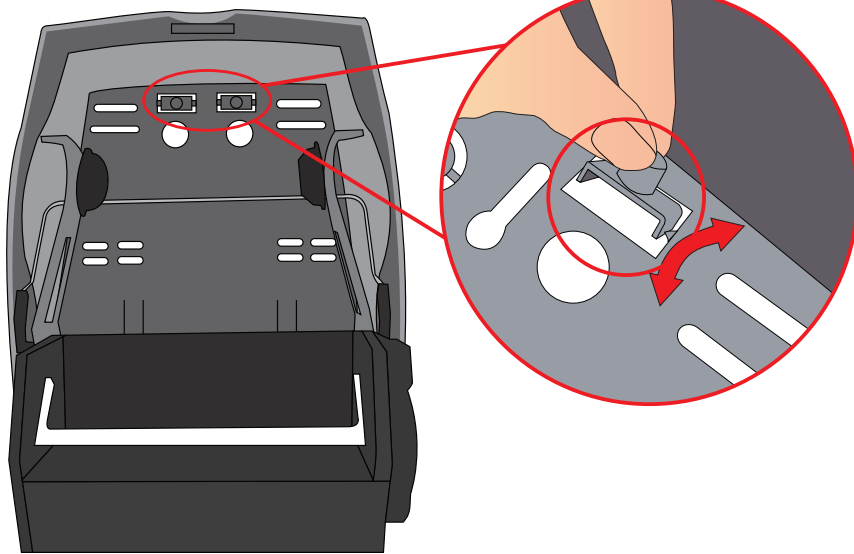
7

7.03



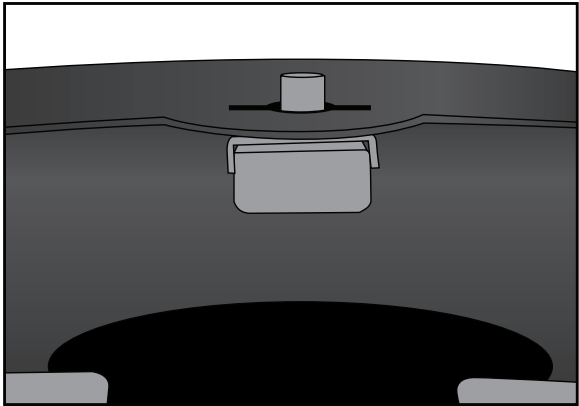
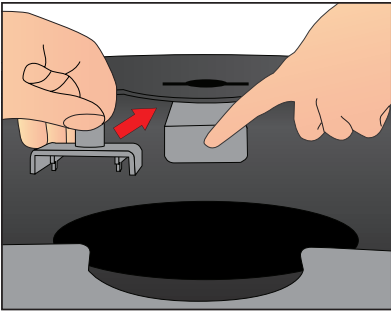
7

7.04



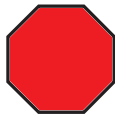
7

7.05



7

7.06



7



www.dispensersupport.com

®/* Trademarks of Kimberly-Clark Worldwide, Inc. Marques déposés de Kimberly-Clark Worldwide, Inc.
©2008 KCWW

Form 033923-W • Rev. 7/2012