

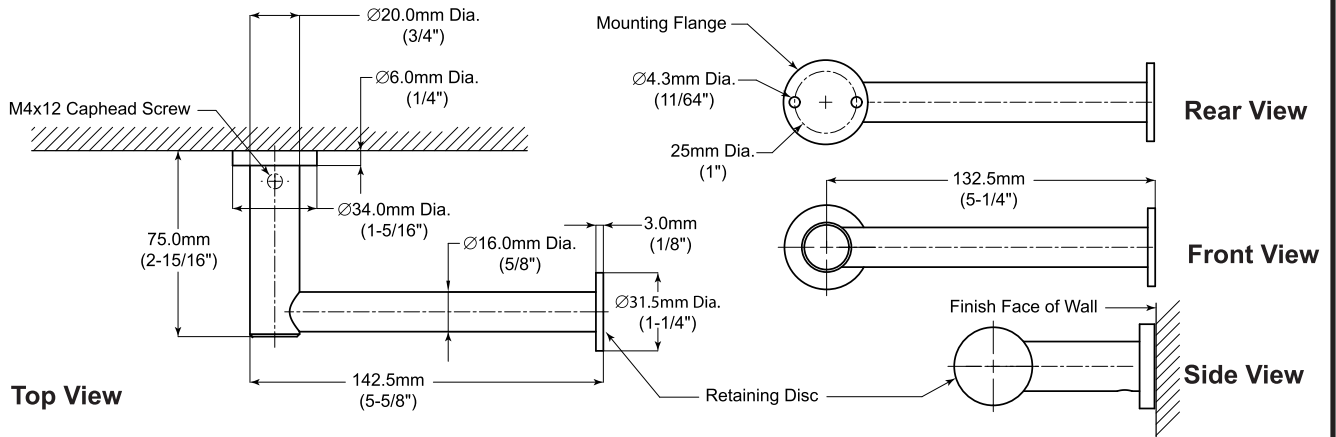


Technical Data

fino collection

TOILET ROLL HOLDER

B-9543



MATERIAL:

Post — Type 303, 20mm (3/4") diameter machined stainless steel bar with satin finish, fastened to the Mounting Flange with a set screw by securing the Flange Cover.

Dispenser Bar — Type 303, 16mm (5/8") machined stainless steel bar with satin finish, permanently connected to the post, allowing for right or left handed assembly.

Retaining Disc — Type 303, 31.5mm diameter, 3mm (1/8") thick stainless steel disc, permanently attached to the Dispenser Bar.

Concealed Mounting Flange — Type 303, 34mm (1-5/16") diameter, 4mm (5/32") thick stainless steel with satin finish with two holes for attachment to wall.

Flange Cover — Type 303, 34mm diameter, 2mm (1/16") thick stainless steel with satin finish, secured to Mounting Flange by the Post to conceal mounting screws.

INSTALLATION:

For plaster or dry wall construction, provide concealed backing to comply with local building codes, then secure unit with sheet-metal screws (not furnished). For other wall surfaces, provide fiber plugs or expansion shields for use with sheet-metal screws (not furnished), or provide 3mm (1/8") toggle bolts or expansion bolts.

For partitions with particle-board or other solid core, secure with sheet-metal screws (not furnished), or provide through-bolts, nuts, and washers. For hollow-core metal partitions, provide solid backing into which the sheet-metal screws (not furnished) can be secured.

SPECIFICATION:

Toilet Roll Holder shall be type 303 machined stainless steel in satin finish. Double Toilet Tissue Dispenser shall have 20mm (3/4") diameter machined post with integrated 16mm (5/8") diameter machined Dispenser Bar. Retaining Discs shall be type 303, 31.5mm (1-1/4") diameter, 3mm (1/8") thick stainless steel with satin finish permanently connected to Dispenser Bar. Concealed mounting flange shall be 4mm (5/32") thick threaded solid stainless steel plate, 34mm (1-5/16") diameter and equipped with two screw holes for attachment. Threaded solid flange cover shall be 2mm (1/16") thick stainless steel in satin finish, 34mm (1 5/16") diameter. Set screw shall fasten the post to the flange and secures the flange cover

Toilet Roll Holder shall be Model B-9543 of Bobrick Washroom Equipment, Inc., Clifton Park, New York; Jackson, Tennessee; Los Angeles, California; Bobrick Washroom Equipment Company, Scarborough, Ontario; Bobrick Washroom Equipment Pty. Ltd., Australia; and Bobrick Washroom Equipment Limited, United Kingdom.