

TC Gel System

Touch-Free Odor Control Gel System



technical concepts
Innovative Hygiene Solutions

The TC Gel System is fully automatic and uses high performance gel refills to provide effective odor control for a full 30 days in a simple, easy to use dispenser. TC Gels contain Microtrans® Odor Neutralizer to lock onto malodor molecules transforming them into a neutral base that eliminates unavoidable odors in the washroom. Carefully selected fragrances covering all customer preference zones help to enhance the washroom experience of patrons.

Longer Lasting Odor Control

The unique gel formula provides a pleasant fragrance while controlling odors for a full 30 days.

Excellent Low Cost Solution

The TC Gel System is a great low cost way to control odors with affordable dispensers and refills. The TC Gel Dispenser's Load n' Go operation also makes the TC Gel System a maintenance free solution producing effective odor control without high expenses.

Environmentally Responsible

TC Gels are biodegradable and the plastic refill cups are now recyclable, making an environmentally friendly system.

User-Friendly System

This simple dispensing system is available with a wide array of fragrance options covering all customer preferences and enhancing patrons washroom experience.



TC Gel Dispenser:

Stock #	Description
---------	-------------

401220.....	Economy Gel Dispenser
-------------	-----------------------

Case Pack: 6, Case Weight: 6 lbs., Case Cube: .31

TC Gel Refills:

Stock #	Description
---------	-------------

401221.....	Linen Fresh™
-------------	--------------

401222.....	Vita Splash™
-------------	--------------

401223.....	Mountain Spa™
-------------	---------------

400262.....	Country Delight
-------------	-----------------

401224.....	Ocean Breeze
-------------	--------------

400230.....	Mandarin Orange
-------------	-----------------

400250.....	Delicious Apple
-------------	-----------------

400260.....	Cinnamon Spice
-------------	----------------

401279.....	Cherry Berry
-------------	--------------

750328.....	Vanilla Coconut NEW
-------------	---------------------

750324.....	Green Citrus NEW
-------------	------------------

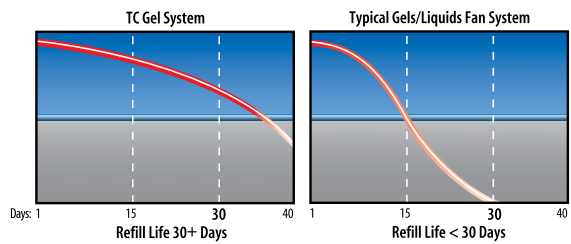
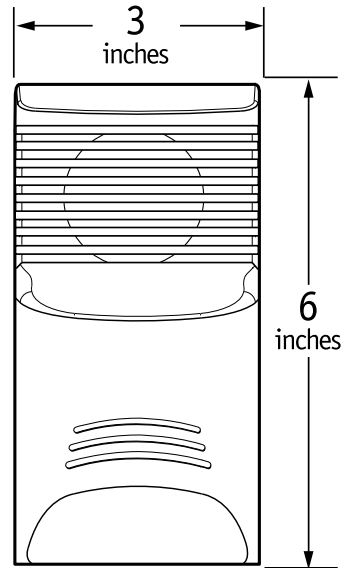
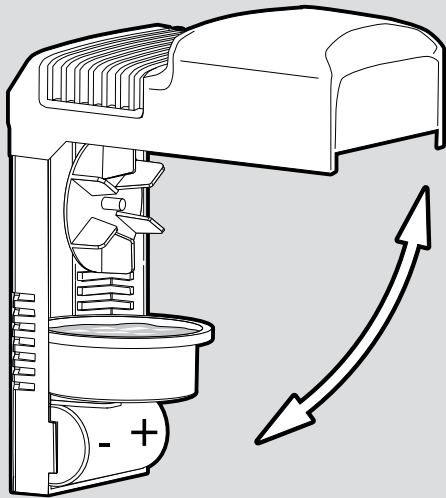
750327.....	Island Melon NEW
-------------	------------------

Case Pack: 12, Case Weight: 3 lbs., Case Cube: 21

401232.....	TC Gel Fragrance Preference Pack (Preference Pack contains 2 refills each of Linen Fresh, Vita Splash, Mountain Spa, Country Delight and Ocean Breeze)
-------------	---

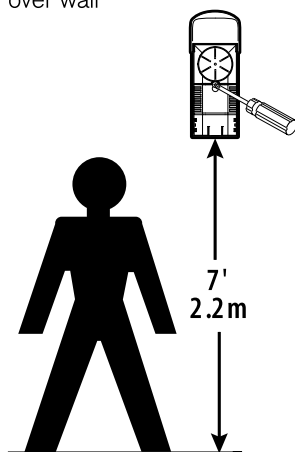
TC Gel System Specifications

- Simple, maintenance-free Load n' Go Dispenser
- Counter-top or wall mounting capabilities
- Effective in areas up to 3,000 cu.ft.
- Operates using only 1 D-Cell Battery



Installation Instructions:

1. Open cover. Position dispenser over wall stud & secure with screw.
2. Insert battery (D-cell).
3. Insert gel refill.
4. Close cover.



Environmental Highlights:

- Bulk Pack reduces packaging waste

Lifetime Warranty

Fully guaranteed against defects of parts and workmanship..



technical concepts
Innovative Hygiene Solutions

World Headquarters:
Serving North and South America

Technical Concepts LLC
1301 Allanson Road
Mundelein, Illinois 60060 U.S.A.
Toll Free: 1-800-551-5155
Fax: 1-800-551-5046

www.technicalconcepts.com

European Headquarters:
Serving Europe, Africa and Middle East

Technical Concepts International Ltd.
Peterborough, PE2 6WA, England
Phone: +44 (0)870 568 6824

Asian Headquarters:
Serving Asia and Pacific

Technical Concepts Asia
14100, Penang, Malaysia
Phone: (60) 4 508 5008

