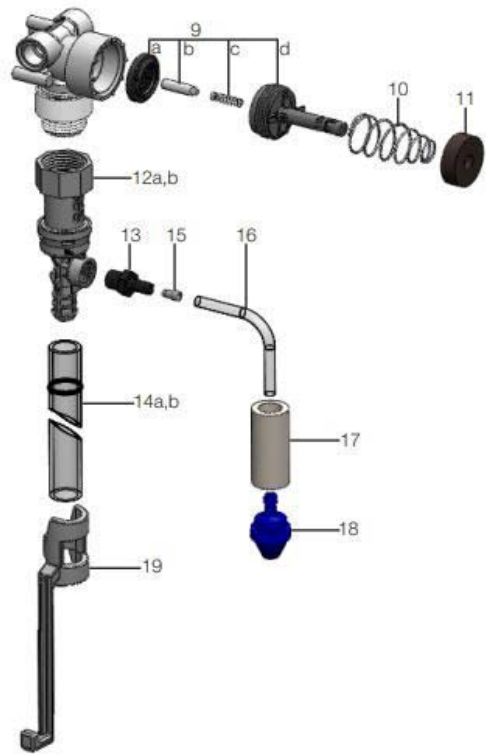
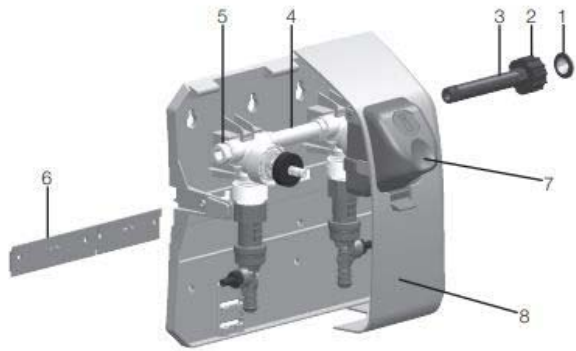


# AccuMax 1, 2 & 3 Button E-Gap



Key	Part No.	Description
1	238100	Strainer washer
2	10082830	Swivel collar (molded)
3	10082802	Swivel stm 1 button (molded)
	10082811	Swivel stem 2 button (molded)

4	10075902	Nipple, plastic 3/8" (2 button models)
	10075903	Nipple, plastic 3/8" (3 button models)
	10075950	O-ring (two required per nipple)
5	10098573	Kit, Pipe plug & o-ring
6	10091035	Wall bracket
7	10098821	Button, Low flow, process blue
	10098824	Button, High flow, process blue
8	10098539	Cabinet set, 1 button unit
	10098541	Cabinet set, 2 button unit
	10098836	Cabinet set, 3 button unit
9	10075980	Valve parts kit a. diaphragm b. armature c. spring d. valve bonnet
10	10079010	Spring
11	10079000	Magnet
12a	290	1.0 GPM eductor assembly
b	291	3.5 GPM eductor assembly
13	3401-R	Hose barb assembly* included in eductor assemblies

14a	10088822	1 GPM discharge tube with flooding ring (8")
14b	90048495	3.5 GPM discharge tube with flooding ring (4')
15	690014	Metering tip kit
16	500870	Tubing 1/4" x 7'
17	509900	Weight
18	10089410	Footvalve -Viton (EPDM also available. Order 10076302)
19	10080730	Hose hook dark gray (standard)
	Not Shown: 641751	Security screws (for cabinet sides)

a