

## TECHNICAL DATA SHEET

# Oceans® Lever Roll Towel

Product Code: T1190, T1290



- Universal Lever Roll Towel
- Easy to change drive module
- Break and chemical resistant
- T1290 offers an auto-transfer mechanism for stub roll elimination

**Installation:** Wall mounted

**Closure:** With lock

**Color:**

Black Pearl, Arctic Blue, White Sand

**Dimensions:**

16.5" (L) x 12.94" (W) x 9" (D)

419mm (L) x 329mm (W) x 235mm (D)

**Capacity:**

(1) 8" (200mm) wide roll; 8" (200mm) diameter and 4" (100mm) stub roll

**Minimum Core Diameter:**

1.5" (38mm)

**Case Weight:** 6.0 lbs (2.72kgs)

**Materials:**

Base : break resistant plastic

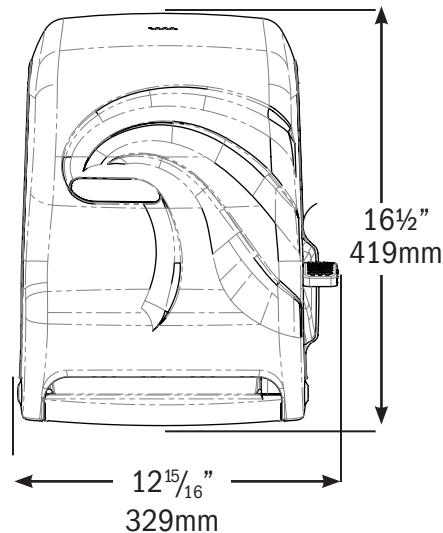
Cover: break resistant plastic

**Standard Product Codes:**

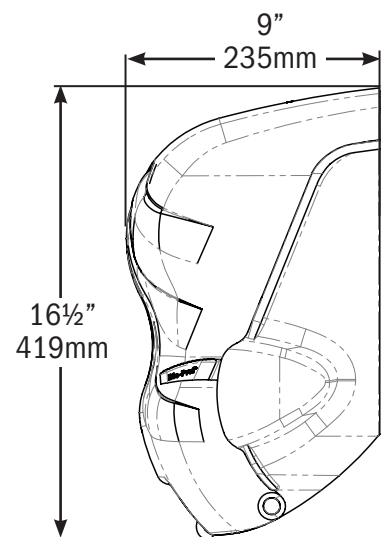
T1190TBK, T1190TBL, T1190WS,

T1290TBK, T1290TBL, T1290WS

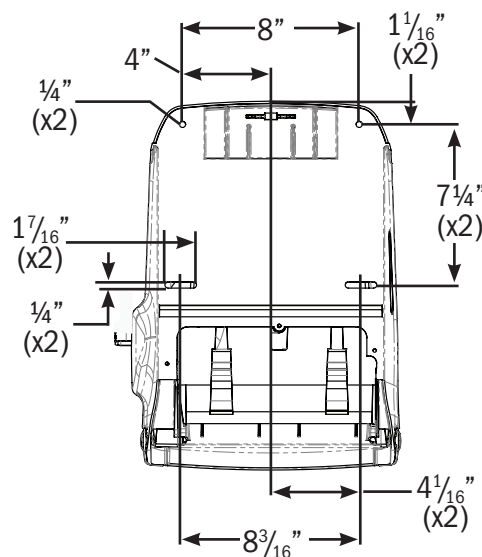
### FRONT (inches)



### SIDE (inches)



### BACK (inches)



San Jamar  
Chef Revival  
555 Koopman Lane  
Elkhorn, Wisconsin 53121  
USA  
T: +1.262.723.6133  
F: +1.262.723.4204  
info@sjcr.com

SJCR Canada  
3300 Bloor Street West  
Center Tower, 11th Floor,  
Suite 3140  
Toronto, ON M8X 2X3  
CANADA  
T: +1.416.760.7367  
F: +1.416.207.2071  
canada@sjcr.com

SJCR Europe  
Schoorstraat 26A  
Bus-1 B-2220 Heist op-den Berg  
BELGIUM  
T: +32 1522 8140  
F: +32 1522 8148  
emea@sjcr.com

SJCR México  
Av. Universidad #1377-701  
Colonia Axotla CP 01030  
Del. Alvaro Obregón  
MÉXICO, DF  
T: +52 (55) 3626 0772  
F: +52 (55) 5273 4495  
mexico@sjcr.com

**SAN JAMAR**  
Smart ♦ Safe ♦ Sanitary