

Date: \_\_\_\_\_ Project: \_\_\_\_\_  
Prepared for: \_\_\_\_\_ Type: \_\_\_\_\_  
Comments: \_\_\_\_\_

## EMERGENCY BATTERY UNIT

36W | LED DOUBLE HEAD



### SPECIFICATIONS

- Surface-Mount / Conduit-Mount
- Battery Life: 2+ Hours
- Battery Power: 36W
- LED Double Head (Tilt & 180° Rotation)
- Test Function
- Knockouts on Sides & Back
- Input Voltage: 120-347VAC
- Output Voltage: 6V DC
- IP40 - Suitable for Damp Locations
- Functioning Temperature: 0°C to 40°C

### AVAILABILITY

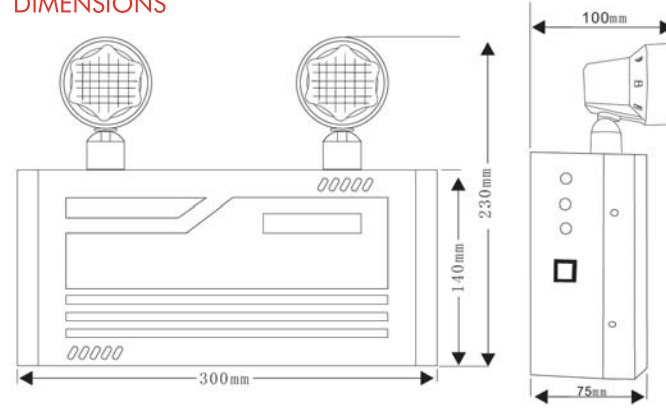
- 36W
- 5000K
- 120-347VAC

\*This icon indicates a STOCK item: Look for this Same Day Shipping icon below in 'Ordering Information' for products that ship out on the same day (orders must be placed before 3pm EST)



4ft Power Cord  
EX-PC4  
Always Sold Separately

### DIMENSIONS



### CIRCUITRY

Lead-Acid Battery: 6V/6Ah Recharge Time: 20 Hours	
AC120V 50/60Hz	Input Wattage: 3.2W
	Input Current: 0.03A
	Efficiency: 0.97P
AC277V 50/60Hz	Input Wattage: 3.3W
	Input Current: 0.01A
	Efficiency: 0.92P
AC347V 50/60Hz	Input Wattage: 3.6W
	Input Current: 0.01A
	Efficiency: 0.92P

BATTERY VOLTAGE IS NEGATIVELY CORRELATED TO INPUT WATTAGE

### ORDERING INFORMATION

SERIES	BATTERY LIFE	BATTERY POWER (WATTS)	LED POWER (WATTS)	LUMENS	EFFECTIVE BATTERY POWER AFTER LED (WATTS)	INPUT VOLTAGE	OUTPUT VOLTAGE	MODEL NUMBER
EMERGENCY BATTERY UNIT	2+ HOURS	36W	2 X 2	2 X 160	32W	120-347VAC	6VDC	EX-BA1-36W-V1

Date: \_\_\_\_\_ Project: \_\_\_\_\_  
Prepared for: \_\_\_\_\_ Type: \_\_\_\_\_  
Comments: \_\_\_\_\_

## EMERGENCY BATTERY UNIT

72W | LED DOUBLE HEAD



### SPECIFICATIONS

- Surface-Mount / Conduit-Mount
- Battery Life: 2+ Hours
- Battery Power: 72W
- LED Double Head (Tilt & 180° Rotation)
- Test Function
- Knockouts on Sides & Back
- Input Voltage: 120-347VAC
- Output Voltage: 12V DC
- IP40 - Suitable for Damp Locations
- Functioning Temperature: 0°C to 40°C

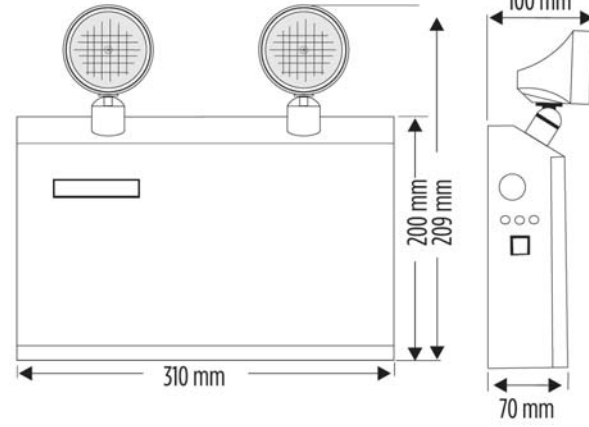
### AVAILABILITY

72W  
5000K  
120-347VAC

\*This icon indicates a STOCK item: Look for this Same Day Shipping icon below in 'Ordering Information' for products that ship out on the same day (orders must be placed before 3pm EST)



### DIMENSIONS



### CIRCUITRY

Lead-Acid Battery: 12V/7Ah Recharge Time: 24 Hours	
AC120V 50/60Hz	Input Wattage: 8W
	Input Current: 0.052A
	Efficiency: 0.85PF
AC347V 50/60Hz	Input Wattage: 10W
	Input Current: 0.040A
	Efficiency: 0.83PF

BATTERY VOLTAGE IS NEGATIVELY CORRELATED TO INPUT WATTAGE

### ORDERING INFORMATION

SERIES	BATTERY LIFE	BATTERY POWER (WATTS)	LED POWER (WATTS)	LUMENS	EFFECTIVE BATTERY POWER AFTER LED (WATTS)	INPUT VOLTAGE	OUTPUT VOLTAGE	MODEL NUMBER
EMERGENCY BATTERY UNIT	2+ HOURS	72W	2 X 2W	2 X 160	68W	120-347VAC	12VDC	EX-BA2-72W-V1