

Date: _____ Project: _____
Prepared for: _____ Type: _____
Comments: _____

LED EMERGENCY REMOTE HEAD

SINGLE HEAD | DOUBLE HEAD



LED Emergency Remote Head
(Single Head)
EM1-1-2W-V1



LED Emergency Remote Head
(Double Head)
EM1-2-4W-V1

SPECIFICATIONS

Designed for Use with
Emergency Battery Units
Surface-Mount
Adjustable Tilt & 180° Rotation
Input Voltage: 5-12VDC
IP40 - Suitable for Damp Locations
Functioning Temperature: 0°C to 40°C

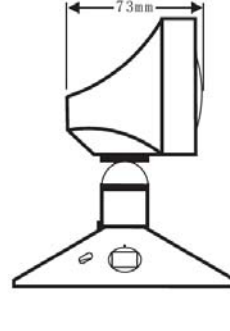
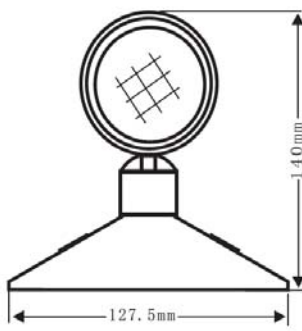
AVAILABILITY

Single-Head / Double-Head
5000K
5-12VDC

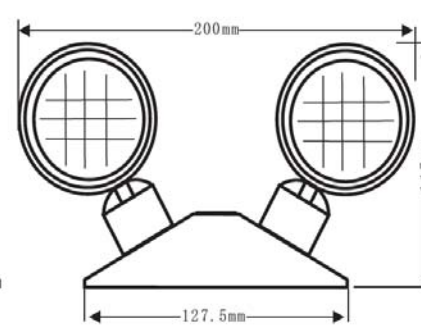
*This icon indicates a STOCK item:
Look for this Same Day Shipping icon below
in 'Ordering Information' for products that
ship out on the same day (orders must be
placed before 3pm EST)

DIMENSIONS

EM1-1-2W-V1



EM1-2-4W-V1



ORDERING INFORMATION

SERIES	HEADS	POWER (WATTS)	LUMENS	COLOR TEMPERATURE	MODEL NUMBER
EMERGENCY LED REMOTE HEADS	SINGLE-HEAD	2W	250	5000K	EM-1-2W-V1
	DOUBLE-HEAD	4W	2 X 250	5000K	EM-2-4W-V1