



## TC WASHROOMSOLUTIONS

# Auto Door™

Automatic, Touch-Free Door Opener

### Features

- Touch-Free Activation
- Contemporary, Sleek Design
- Accommodates both latching and non-latching door
- ADA Compliant

### Benefits

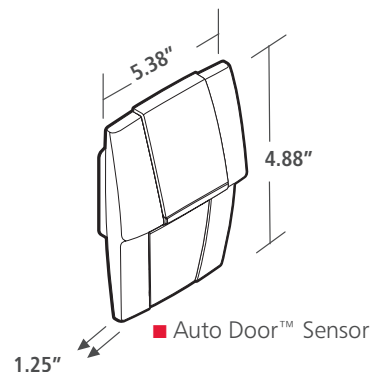
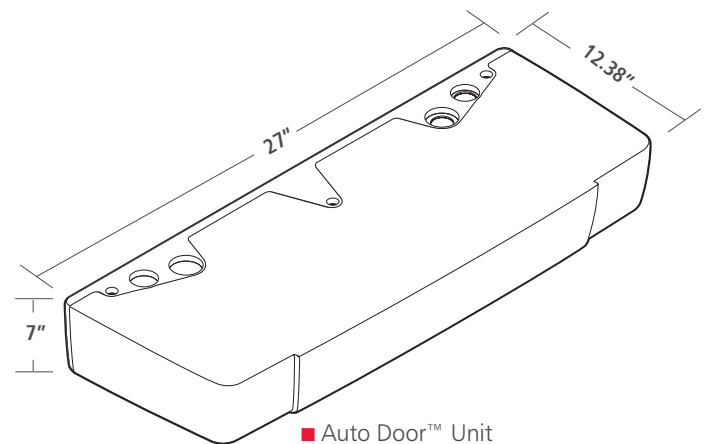
- Significantly Improves Washroom Hygiene
- Enhances Washroom Image
- World-Class Reliability and Performance
- Easily Retrofits to Existing Doors

### Specifications

- Operation:** Electro-mechanical. Works against a standard closer.
- Power:** 180 Watts, 120 Volt, 60 Hz, 1.5A.
- Motor:** 24 V DC Motor.
- Material/Finish:** UL Rated 5VA ABS Plastic/Gray
- Physical Application:** Jamb-mount; no physical attachment of arm on push side of door. Requires door closer to shut the door.
- Door Guidelines:** Auto Door is intended for use on interior pedestrian doors between 34"-42" wide with a maximum weight of 170 lbs.
- Activation:** Touch-Free Sensor
- Compliance:** ANSI A156.19-2002  
UL 325  
CSA C22.2  
A.D.A Requirements



### Dimensions



ADA COMPLIANT

## Assembly

Included in each Auto Door (#1800381) unit are the following items: Auto Door (1), Auto Door Sensor (1), 20' Sensor Cable (1), Roller Plate (1), Caution Labels (2), Mounting Hardware, and Drill Template.

Follow instructions closely for installation process.

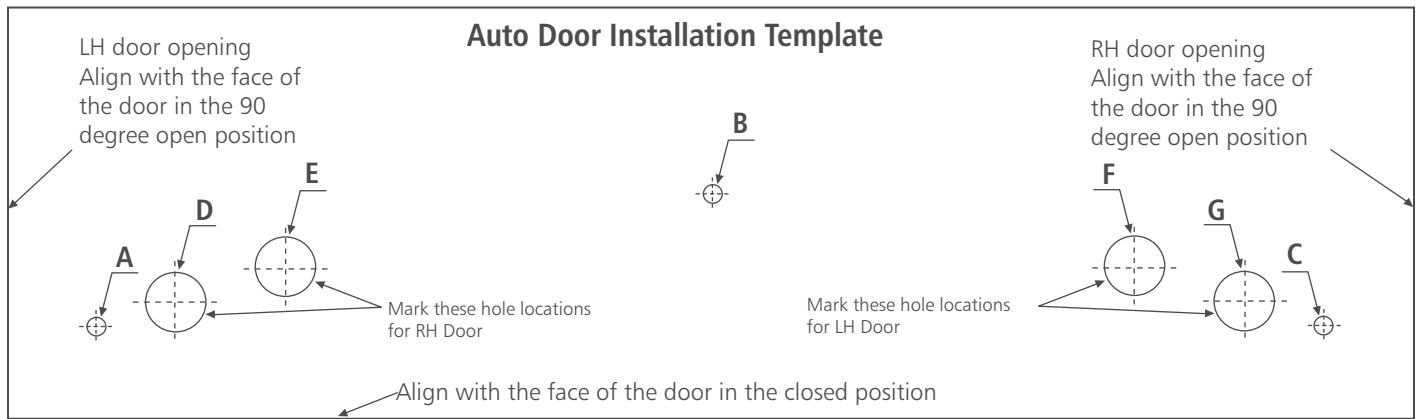
## Maintenance

It is important that you maintain your door system in compliance with the industry standard for safety as outlines in the ANSI/BHMA A125.19. Periodically check the door opening and closing speeds to ensure it is in accordance with applicable industry safety standards.

**Auto Door Unit:** Lubricate entire length of screw tread every six months using molybdenum disulfide grease such as Sta-Lube Synthetic Grease (Sta-Lube part no. SL3301).

## Warranty

For a period of two years from the date of purchase, if a Rubbermaid Commercial product proves defective in materials and workmanship during normal use by the purchaser of this product, Rubbermaid Commercial Products will arrange for replacement or repair. Rubbermaid Commercial is not responsible for removal or installation costs, nor is Rubbermaid Commercial responsible for any incidental or consequential costs or damages at any time. The unit is covered under warranty, and a credit can be issued to the returned units.



Description	Color	MFGR#	UPC Code	Unit Weight	Ship Weight	Pack Size	FedEx/UPS
Auto Door™	Gray	1800381	086876211108	18.7 lbs.	20.2 lbs.	1	Yes
Additional Entrance Sensor	Gray	1800382	086876211115	0.4 lbs.	0.9 lbs.	1	Yes
Sensor Cable Extension	—	1800383	086876211139	0.5 lbs.	0.4 lbs.	1	Yes
Electric Strike	—	1800384	086876211122	0.2 lbs.	0.75 lbs.	1	Yes