

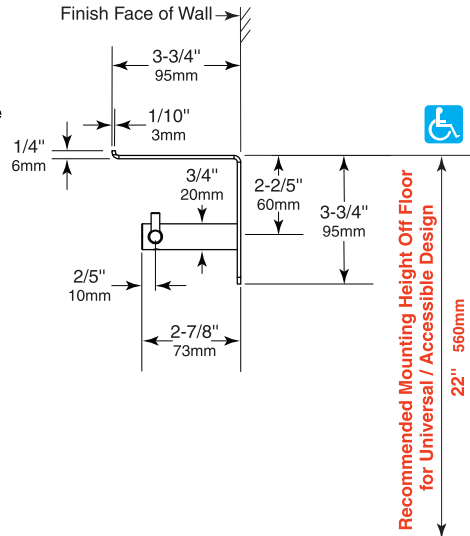
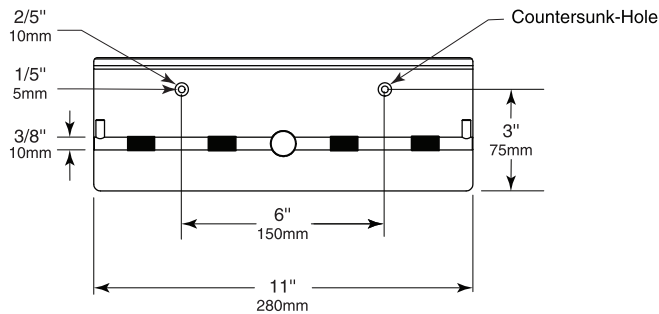


# SURFACE-MOUNTED TOILET TISSUE DISPENSER AND UTILITY SHELF

# B-540

Specify Finish Required

- Stainless Steel, Satin Finish
- Matte Black Finish, please use model no. B-540.MBLK



**MATERIALS:**

**Shelf / Wall Plate** — 18-8, Type-304, 14-gauge (2.5mm) stainless steel with satin finish. 1/4" (6mm) upward return edge at the front.

**Post** — 18-8, Type-304, 3/4" (19mm) diameter, solid stainless steel rod. Post is securely welded to the Wall Plate.

**Dispenser Bar** — 18-8, Type-304, 3/8" (9.5mm) diameter, solid stainless steel rod. Secured to Post with a concealed set screw.

**Retaining Pins (2)** — 18-8, Type-304, 1/4" (6.4mm) diameter, solid stainless steel rod press fit and secured into Dispenser Bar.

**OPERATION:**

Unit holds two standard-core toilet tissue rolls up to 4-1/4" (110mm) diameter (500 sheets). Item complies with one-hand-operation and continuous-paperflow-requirement of ADA. *Designer's Note:* It is recommended that one full toilet tissue roll remain wrapped or taped until the other roll has been depleted to avoid wasting the ends of both rolls.

**INSTALLATION:**

For plaster or dry wall construction, provide concealed backing to comply with local building codes, then secure unit with sheet-metal screws (not furnished). For other wall surfaces, provide fiber plugs or expansion shields for use with sheet-metal screws (not furnished), or provide 1/8" (3mm) toggle bolts or expansion bolts.

For partitions with particle-board or other solid core, secure with sheet-metal screws (not furnished), or provide through-bolts, nuts, and washers. For hollow-core metal partitions, provide solid backing into which the sheet-metal screws (not furnished) can be secured.

**SPECIFICATION:**

Surface-mounted toilet tissue dispenser and utility shelf shall be Type-304, 14 gauge stainless steel with satin finish. Shelf shall have 1/4" (6mm) upward return front edge. Toilet Tissue Dispenser shall have 3/4" (19mm) diameter Post. Dispenser bar shall be 3/8" (9.5mm) diameter, secured to Post with a concealed set screw. Retaining pin shall be 1/4" (6.4mm) diameter and pressed into Dispenser bar. Wall Plate equipped with two screw holes for attachment. Post and Wall Plate are to be securely welded as one piece. Dispenser Bar shall hold standard-core toilet tissue rolls up to 4-1/4" (110mm) diameter (500 sheets).

**Surface-Mounted Toilet Tissue Dispenser And Utility Shelf shall be Model B-540 of Bobrick Washroom Equipment, Inc., Clifton Park, New York; Jackson, Tennessee; Los Angeles, California; Bobrick Washroom Equipment Company, Scarborough, Ontario; Bobrick Washroom Equipment Pty. Ltd., Australia; and Bobrick Washroom Equipment Limited, United Kingdom.**