

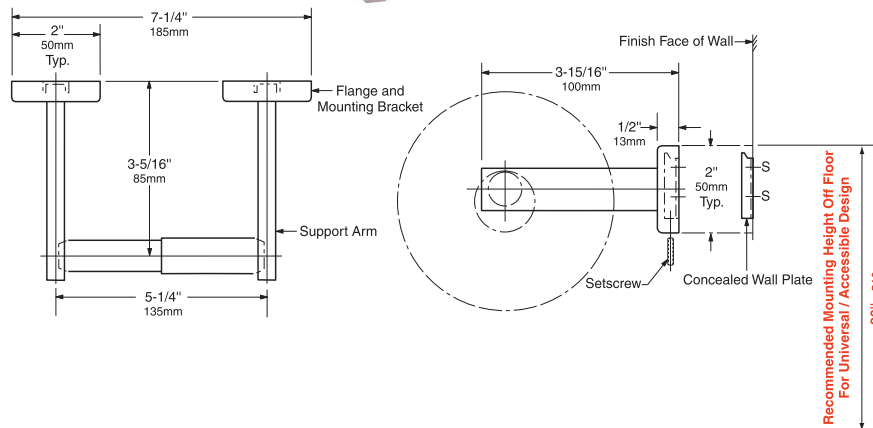


## Technical Data

# SINGLE-ROLL STAINLESS STEEL TOILET TISSUE DISPENSER

# B-7685 B-76857

Specify Model Required:  Model B-7685 Bright polished stainless steel  
 Model B-76857 Satin-finish stainless steel



### MATERIAL:

**Flanges & Support Arms (2)** — 18-8, type-304, 22-gauge (0.8mm) stainless steel. Each flange has a concealed, 18-gauge (1.2mm) stainless steel mounting bracket. All-welded construction. Secured to wall plates with stainless steel setscrews.

**Concealed Wall Plates (2)** — 18-8, type-304, 19-gauge (1.0mm) stainless steel.

**Spindle** — Chrome-plated plastic. Equipped with heavy-duty internal spring.

### INSTALLATION:

To remove concealed wall plates from back of flanges and mounting brackets, loosen setscrews. Mount each wall plate with prongs at top; secure with sheet-metal screws, furnished by manufacturer, at points indicated by an S. Engage mounting brackets onto prongs of wall plates, then secure unit into position by tightening setscrews at bottom of flanges.

**Note:** Centerline-to-centerline of concealed wall plates must be within 1/16" (1.6mm) of dimension shown.

For plaster or dry wall construction, provide concealed backing to comply with local building codes, then secure unit with sheet-metal screws furnished. For other wall surfaces, provide fiber plugs or expansion shields for use with sheet-metal screws furnished, or provide 1/8" (3mm) toggle bolts or expansion bolts.

For partitions with particle-board or other solid core, secure with sheet-metal screws furnished, or provide through-bolts, nuts, and washers. For hollow-core metal partitions, provide solid backing into which the furnished sheet-metal screws can be secured.

### SPECIFICATION:

Single-roll toilet tissue dispenser shall be type-304 stainless steel with \_\_\_\_\_ (insert one: bright polished or satin) finish. Unit shall accommodate one standard-core toilet paper roll up to 5-1/2" (140mm) diameter (1800 sheets). Flanges and support arms shall be 22 gauge (0.8mm) and equipped with concealed, 18-gauge (1.2mm) mounting brackets that are secured to concealed, 19-gauge (1.0mm) wall plates with stainless steel setscrews. \*Spindle shall be equipped with a heavy-duty internal spring.

*\*Designer's Note: Theft-resistant toilet tissue spindles, which require special key for removal, are available as an optional accessory. To specify, add suffix .60 to model number. Example: B-7685.60.*

**Single-Roll Toilet Tissue Dispenser shall be Model \_\_\_\_\_ (insert model number) of Bobrick Washroom Equipment, Inc., Clifton Park, New York; Jackson, Tennessee; Los Angeles, California; Bobrick Washroom Equipment Company, Scarborough, Ontario; Bobrick Washroom Equipment Pty. Ltd., Australia; and Bobrick Washroom Equipment Limited, United Kingdom.**