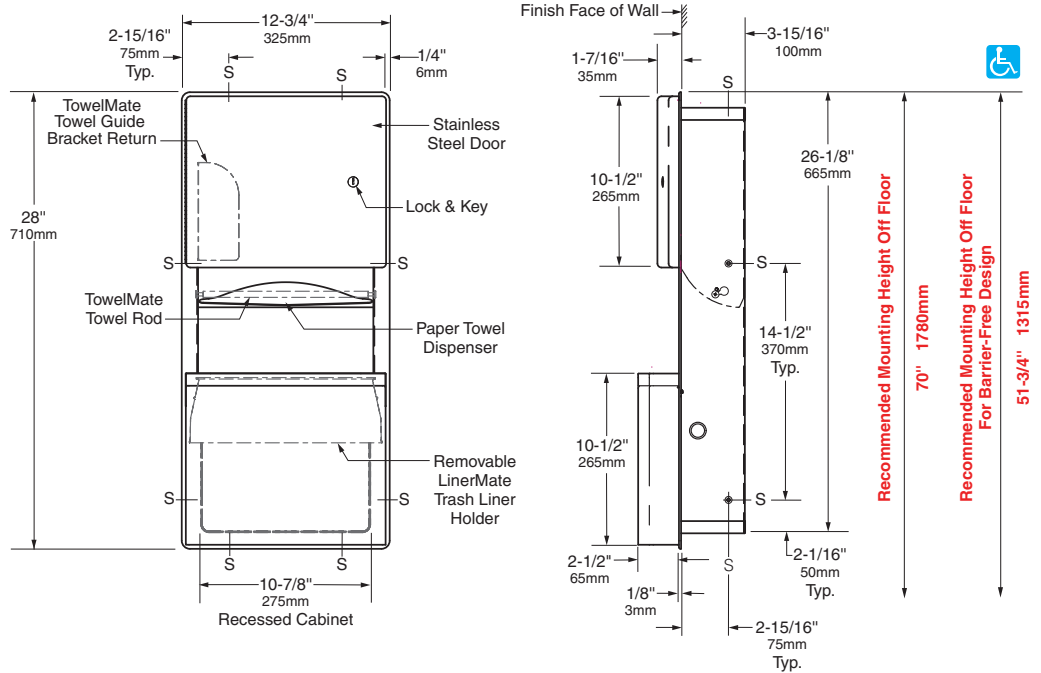




Technical Data

# ConturaSeries® RECESSED PAPER TOWEL DISPENSER AND WASTE RECEPTACLE

# B-4369



**Rough Wall Opening**  
**11-3/8" (290mm) wide**  
**26-5/8" (675mm) high**  
**4" (100mm) minimum**  
**recessed depth**

## MATERIALS:

**Cabinet** — 18-8 S, type-304, 22-gauge (0.8mm) stainless steel. All-welded construction. Exposed surfaces have satin-finish.

**Flange** — 18-8 S, type-304, 22-gauge (0.8mm) stainless steel with satin-finish. Drawn, one-piece, seamless construction. Radius on corners and return edges complement corners and edges of door and waste receptacle.

**Door** — 18-8 S, type-304, 22-gauge (0.8mm) stainless steel with satin-finish. Drawn, one-piece, seamless construction. Front of door has same degree of arc as front of waste receptacle and other Bobrick ConturaSeries washroom accessories. Radius on corners and edges of door match side edges of waste receptacle and other ConturaSeries accessories. Secured to cabinet with a full-length stainless steel piano-hinge. Equipped with a flush tumbler lock keyed like other Bobrick washroom accessories.

**Paper Towel Dispenser** — 18-8 S, type-304, 22-gauge (0.8mm) stainless steel with satin finish. Cabinet inside equipped with 90° return towel guide angle to prevent paper towels from falling forward out when door is opened for servicing. Rounded towel tray has hemmed opening to dispense paper towels without tearing. Unit equipped with TowelMate consisting of a 90° return towel guide angle inside cabinet to prevent paper towels from falling forward out when door is opened for servicing and a Nylon Rod across the center of the towel tray to dispense paper towels one at a time. Waste receptacle shall have a formed, one-piece, seamless, removable front panel with top edge hemmed. Capacity: 350 C-fold or 475 multifold paper towels.

**TowelMate® Towel Rod Assembly** — Consisting of a round Nylon Rod and (2) stainless steel Rod Screws for attachment, is field replaceable. Stainless steel Stop Screws (2) lock TowelMate Towel Rod assembly in place.

To retrofit TowelMate into existing installed units manufactured prior to April 2010 order TowelMate Accessory Bobrick Part No. 369-130.

continued . . .

**Waste Receptacle** — 18-8 S, type-304, 22-gauge (0.8mm) stainless steel with satin-finish. Formed, one-piece, seamless construction. Removable front panel has same degree of arc as front of door and other Bobrick ConturaSeries washroom accessories. Top edge hemmed for safe handling. Radius on side edges of waste receptacle match corners and edges of paper towel dispenser door and other ConturaSeries accessories. Secured to cabinet with two keyholes over studs on bottom and two tamper-resistant setscrews on top. Capacity: 3.0-gal. (11.3-L).

**LinerMate® Trash Liner Holder** — Unit equipped with LinerMate trash liner holder fabricated with molded plastic trash liner holder sleeve and a 20-gauge (0.91mm) stainless steel, U-shaped support strap; riveted construction. Trash liner holder shall have an arc at front and same shape as inside of waste receptacle area. LinerMate facilitates installation and removal of disposable trash liners and retains liner inside waste receptacle

To retrofit LinerMate into existing installed units manufactured prior to December 2009, order LinerMate Accessory Bobrick Part No. 4369-134.

#### **OPERATION:**

Paper towel dispenser will dispense C-fold or multifold paper towels without adjustment or use of adapters. Cable door-swing limiter prevents damage to washroom accessories and walls. Load paper in towel tray, and then pull one sheet of paper towel over the TowelMate towel rod and out to conceal rod and start dispense. To insert disposable trash liner, lift LinerMate bag holder up and forward and rest over edge of waste receptacle front panel with the bottom notches of LinerMate engaged on top front edge of receptacle. Place disposable trash liner inside LinerMate and fold disposable trash liner over LinerMate sleeve. Tie a knot in the corner of the disposable trash liner, then place LinerMate with disposable trash liner back into receptacle. To empty, gather disposable trash liner from LinerMate trash liner holder sleeve and lift bag up. Front of waste receptacle panel is removable for cleaning cabinet interior.

#### **INSTALLATION:**

Provide framed rough wall opening 11-3/8" wide x 26-5/8" high (290 x 675mm). Minimum recessed depth required to finish face of wall is 4" (102mm). Allow clearance for construction features that may protrude into rough wall opening from opposite wall. Coordinate with mechanical engineer to avoid pipes, vents, and conduits. If unit projects above top of wainscot, provide aluminum channel or other filler to eliminate gap between flange and finish face of wall. Mount unit in wall opening with shims between framing and cabinet at all points indicated by an S, then secure unit with screws furnished by manufacturer.

#### **SPECIFICATION:**

Recessed paper towel dispenser and waste receptacle shall be type-304 stainless steel with all-welded construction; exposed surfaces shall have satin-finish. Front of paper towel dispenser door and waste receptacle shall have same degree of arc and match other Bobrick ConturaSeries accessories in the washroom. Radius on corners and edges of flange, door, and waste receptacle shall complement other Bobrick ConturaSeries washroom accessories. Flange shall be drawn, one-piece, seamless construction. Paper towel dispenser door shall be drawn, one-piece, seamless construction; secured to cabinet with a full length stainless steel piano-hinge; and equipped with a flush tumbler lock keyed like other Bobrick washroom accessories. Paper towel dispenser shall dispense 350 C-fold or 475 multifold paper towels. Unit equipped with TowelMate consisting of a 90° return towel guide angle inside cabinet to prevent paper towels from falling forward out when door is opened for servicing and a Nylon Rod across the center of the towel tray to dispense paper towels one at a time. Waste receptacle shall have a formed, one-piece, seamless, removable front panel with top edge hemmed. Unit equipped with LinerMate trash liner holder fabricated with molded plastic trash liner holder sleeve and a 20-gauge (0.91mm) stainless steel, U-shaped support strap; riveted construction. Trash liner holder shall have an arc at front and same shape as inside of waste receptacle area. LinerMate facilitates installation and removal of disposable trash liners and retains liner inside waste receptacle. Capacity of waste receptacle shall be 3.0-gal. (11.3-L).

**Recessed Paper Towel Dispenser And Waste Receptacle shall be Model B-4369 of Bobrick Washroom Equipment, Inc., Clifton Park, New York; Jackson, Tennessee; Los Angeles, California; Bobrick Washroom Equipment Company, Scarborough, Ontario; Bobrick Washroom Equipment Pty. Ltd., Australia; and Bobrick Washroom Equipment Limited, United Kingdom.**