

# 16

## RETRO Series

# COMMERCIAL HAND DRYER

CAST IRON CONSTRUCTION FOR COMPACT, STYLISH DESIGN WITH FAST DRYING SPEED AND LONG LASTING DURABILITY.

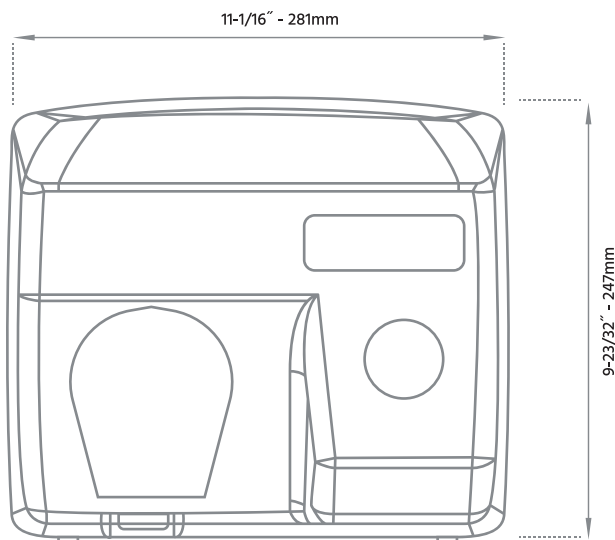
ENVIRONMENTALLY FRIENDLY, USING LESS THAN 1/6<sup>th</sup> OF THE ENERGY OF A CONVENTIONAL HAND DRYER

## FEATURES

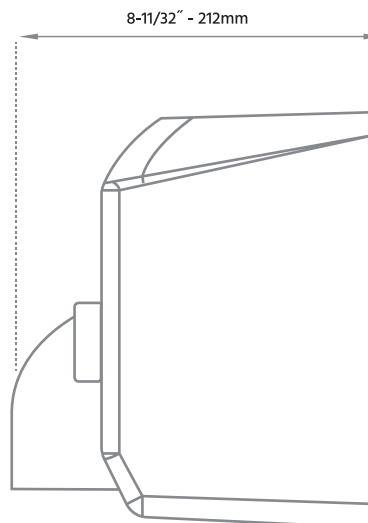
- Powerful
- Stylish appearance
- Efficient, fast and safe
- Push button with long life operation
- Suitable to be installed in high traffic places
- 3 years warranty
- Small footprint
- Vandal proof
- Heavy duty reinforced steel
- Tamperproof screws

## DIMENSIONS

FRONT VIEW



SIDE VIEW



## APPLICATIONS

- Washrooms and clean up areas, commercial facilities, factories, restaurants and hospitals
- High traffic areas
- Ideal for pools, gyms, stadiums  
**(hair drying enable)**

### DISTANCE FROM BOTTOM EDGE OF DRYER TO FLOOR

Men	47" (119 cm)
Women	44" (112 cm)
Children 8-10 years	35" (89 cm)
Children 11-13 years	38" (97 cm)
Children 14-16 years	44" (112 cm)
Disabled	36" (91 cm)



White



Chrome

## SPECIFICATIONS

**Operation Voltage** 110 – 120Vac, 50 – 60Hz, 2.0 – 2.4 KW  
220 – 240Vac, 50 – 60Hz, 2.0 – 2.4 KW

**Warm Air Speed Output** 28 m/s (62.6 mi/hr)

**Drier Shall Deliver** 345 rrilh ( 202 CFM)

**Motor Type** 200 W, 5,500 R.P.M., brush motor

**Motor Thermal Protection** Auto resetting thermostat turns unit off at 105°C (221°F)

**Heater Thermal Protection** Auto resetting thermostat turn units off at 65°C (14°F);

Thermal fuse cut unit off at 141°C (28°F)

**Drying Time** Approximately 20-25 seconds

**Sound Level** 70±3 dB @ 1 m

**Timing Protection** 60 seconds auto shut off

**Drip Proof** IPX1▲

**Isolation** Class 1

**Material** Steel

**Cover Finish** Porcelain Enameled Coating

**Dimensions** 281 mm (W) x 247 mm (H) x 212 mm (D)  
[11-1/16" (W) x 9-23/32" (H) x 8-11/32" (D)]

## ORDERING GUIDE

Model No.	Colour	Watts	Volts Hz	Air Velocity LFM	Air Volume CFM	Noise dB	Dimensions (W x H x D) (mm/in.)	Weight (kg/lbs.)
C-HK-2400PS/241	White	2200	110-120, 220-240	16000	202	70	281X247X212 (11X9X8)	6.8/15
C-HK-2400MS/241	Chrome	2200	110-120, 220-240	16000	202	70	281X247X212 (11X9X8)	6.8/15



COMMERCIAL HAND DRYERS TO ORDER PLEASE CALL 1-855-550-0303

