



COMPASS™ CX SERIES

Compact Scales



Designed with Energy Efficient Weighing in Mind for Workplace & In-the-Field Weighing

Designed with energy efficiency in mind, the Compass CX series offers a battery life of up to 1,000 continuous hours, allowing for uninterrupted operation. Featuring a slim, stackable and light-weight design, the CX fits ideally in lab, industrial, education, and even household settings. The streamlined two-button operation means that the balance can be operated easily, and large backlit LCD display enables easy viewing of weighing results.

Standard Features:

- **Low Power Consumption Design Allows for Uninterrupted Operation**
Designed with energy efficiency in mind, the Compass CX series features alkaline batteries capable of up to 1,000 hours of continuous use, providing peace of mind for daily weighing applications.
- **Improved Functionality with Large Backlit LCD and Two-Button Operation**
Combined with a simplified two-button operation, the Compass CX's large backlit display increases readability in dim lighting conditions, and makes it easier to view results from a distance.
- **Practical Space-Saving Design for Convenient Storage**
The Compass CX comes in an ingenious space-saving design, which allows you to stack up to 4 scales to save storage space. Additionally, the CX features a standard stainless steel pan for durable use.

COMPASS™ CX SERIES Compact Scales

Model	CX221	CX621	CX1201	CX2200	CX5200
Capacity (g)	220	620	1200	2200	5200
Readability (g)	0.1			1	
Span Calibration Mass (Not Included)	200 g	500 g	1 kg		2 kg
Stabilization Time (s)	1.5		2	1.5	
Construction	ABS housing and stainless steel pan				
Calibration	User-selectable external span / Digital with external weight				
Tare Range	Full capacity by subtraction				
Weighing Units*	g, N, oz, lb:oz				
Application Modes	Weighing				
Power Requirement	3 AA batteries (included) or AC adapter (not included)				
Typical Battery Life	1,000 hours				
Display Type	Liquid crystal display (LCD) with backlight				
Display Size	0.71 in. digits / 18 mm				
Pan Size (W × D)	5 in × 5.6 / 128 × 142 mm				
Balance Dimensions (W × D × H)	5.3 × 7.9 × 1.6 in. / 135 × 201 × 41 mm				
Shipping Dimensions (W × D × H)	6.7 × 9.3 × 2.2 in. / 170 × 235 × 55 mm				
Net Weight	1.1 lb / 0.51 kg				
Shipping Weight	1.5 lb / 0.7 kg				

*Availability is dependent on model.

Other Standard Features and Equipment

ABS housing, slip-resistant feet, stability indicator, mechanical and software overload/underload protection, low battery indicator, auto shut-off

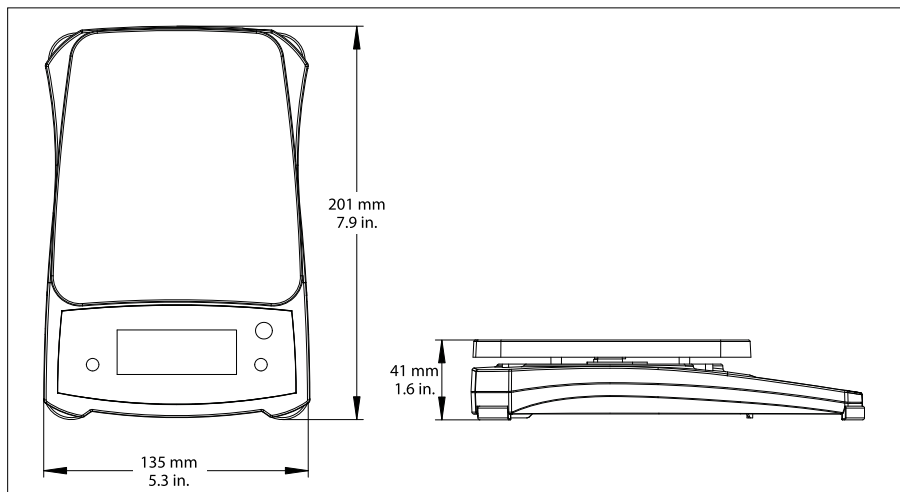
Compliance

- **Product Safety:** IEC/EN 61010-1; CAN/CSA C22.2 No. 61010-1; UL Std. No. 61010-1
- **Electromagnetic Compatibility:** IEC/EN 61326-1 Class B, Basic environments; FCC Part 15 Class B; Canada ICES-003 Class B
- **Compliance Marks:** CE; RCM

Accessories

Carrying Case	30467763
Bowl, 1050 mL	80850075
Adapter, 5V 1A, US plug	30330714
Adapter, 5V 1A, AU plug	30333865
Adapter, 5V 1A, EU plug	30333866
Adapter, 5V 1A, UK plug	30333867
Carat Bowl XS	12102565
Carat Bowl	30020842

Dimensions



OHAUS CORPORATION

7 Campus Drive
Suite 310
Parsippany, NJ 07054 USA

Tel: 800.672.7722
973.377.9000
Fax: 973.944.7177

www.ohaus.com

The management system governing the manufacture of this product is ISO 9001:2015 certified.





COMPASS™ CR SERIES

Compact Scales



Basic Weighing Capabilities at an Economical Price

The Compass CR series provides basic weighing functionality and competitive performance at an economical price. Features such as a slim, stackable design, and an enlarged weighing platform, make the CR series perfect for a variety of portable weighing applications.

Standard Features:

- **Basic Weighing at a Competitive Price**

The Compass CR series is designed for basic weighing at a competitive price point, and is ideal for use in kitchens, classrooms, offices and more.

- **Space-Saving Stackable Design for Convenient Storage**

The Compass CR series is specially designed for convenient storage. Its slim, space saving design allows users to stack up to 4 scales, saving valuable storage space when the scale is not in use.

- **Enlarged Weighing Platform Allows for Versatile Use**

With an enlarged weighing platform, the Compass CR series can adequately handle a wide range of sample sizes. You will only need one scale on your counter for basic weighing with the CR series.

COMPASS™ CR SERIES Compact Scales

Model	CR221	CR621	CR2200	CR5200
Capacity (g)	220	620	2200	5200
Readability (g)	0.1		1	
Span Calibration Mass (Not Included)	200 g	500 g	1 kg	2 kg
Stabilization Time (s)	2			
Construction	ABS housing & pan			
Calibration	User-selectable external span / Digital with external weight			
Tare Range	Full capacity by subtraction			
Weighing Units*	g, ozt, dwt, oz, lb:oz			
Application Modes	Weighing			
Power Requirement	3 AA batteries (included) or AC adapter (not included)			
Typical Battery Life	300 hours			
Display Type	Liquid crystal display (LCD)			
Display Size	0.6 in. / 15 mm digits			
Pan Size (W x D)	5 x 5.2 in. / 125 x 132 mm			
Balance Dimensions (W x D x H)	5.5 x 8.1 x 1.6 in. / 140 x 205 x 41 mm			
Shipping Dimensions (W x D x H)	6.7 x 9.3 x 2.2 in. / 170 x 235 x 55 mm			
Net Weight	0.9 lb / 0.4 kg			
Shipping Weight	1.3 lb / 0.6 kg			

*Availability is dependent on model.

Other Standard Features and Equipment

ABS housing and pan, slip-resistant feet, stability indicator, mechanical and software overload/underload protection, auto shut-off

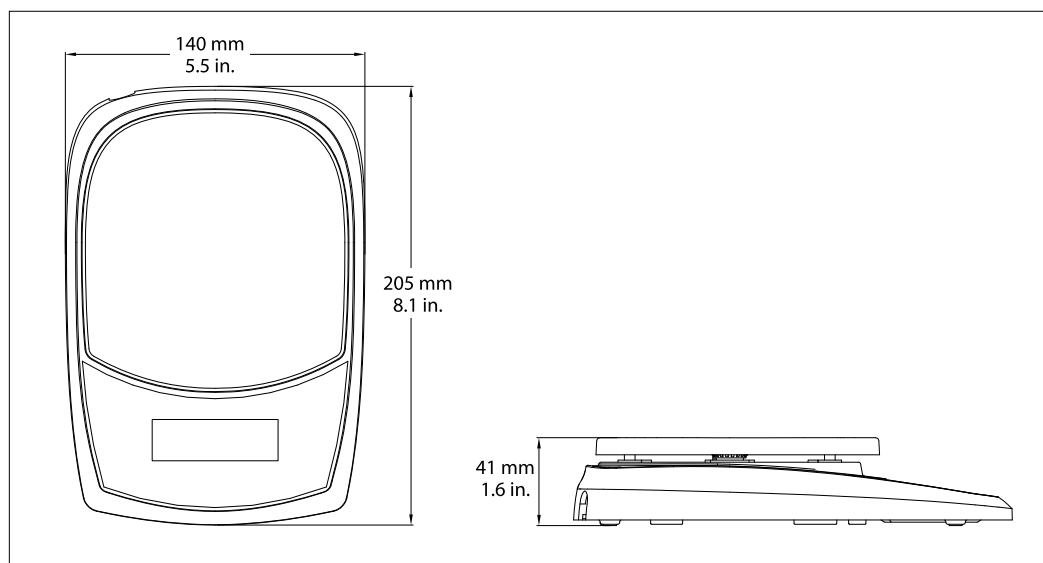
Compliance

- **Product Safety:** IEC/EN 61010-1; CAN/CSA C22.2 No. 61010-1; UL Std. No. 61010-1
- **Electromagnetic Compatibility:** IEC/EN 61326-1 Class B, Basic environments; FCC Part 15 Class B; Canada ICES-003 Class B
- **Compliance Marks:** CE; RCM

Accessories

- Carrying Case30467763
- Bowl, 1050 mL.....80850075
- Adapter with plugs (EU-US-UK-AU-KR).....30467987

Dimensions



OHAUS CORPORATION

7 Campus Drive
Suite 310
Parsippany, NJ 07054 USA

Tel: 800.672.7722
973.377.9000
Fax: 973.944.7177

www.ohaus.com

The management system governing the manufacture of this product is ISO 9001:2015 certified.

