



**MAXIMIZER™**

# DUST MOP

## WITH EZ ACCESS SCRAPER



### EZ ACCESS SCRAPER

Allows for quick cleanup of stuck-on debris and easily clips onto 15/16" to 1-1/8" diameter thick handles. Features a stainless steel blade for flexibility and long tool life, and a molded grip for comfort.



### QUICK CHANGE HANDLE

Lightweight, quick change handle for easy tool attachment.



### DUST MOP PAD

Pretreated for optimal performance on the very first use. Hook and loop backing attaches securely to frame. All-sewn construction. Fully launderable up to 40 cycles without bleach.



## Maximizer™ Dust Mop with EZ Access Scraper

SKU #	CUST. ITEM #	DESCRIPTION	COLOR	LENGTH	WIDTH	HEIGHT	WEIGHT	CASE QTY
2018808		MAXIMIZER™ DUST FRM, HNDL, SCRAPER – 24"	BLACK	57.00	5.50	1.75	1.85	6
2018809		MAXIMIZER™ DUST FRM, HNDL, SCRAPER – 36"	BLACK	57.00	5.50	1.75	2.60	6
2018810		MAXIMIZER™ DUST MOP PAD – 24"	YELLOW	25.25	5.50	0.50	1.19	12
2018821		MAXIMIZER™ DUST MOP PAD – 36"	YELLOW	37.25	5.50	0.50	1.72	12
2018822		MAXIMIZER™ EZ ACCESS SCRAPER – REPLACEMENT	BLACK	6.56	1.63	1.63	0.19	12
2018823		MAXIMIZER™ QUICK CHANGE FIXED HANDLE	YELLOW	57.00	1.50	1.50	0.73	12

## Additional Maximizer™ Products

SKU #	CUST. ITEM #	DESCRIPTION	COLOR	LENGTH	WIDTH	HEIGHT	WEIGHT	CASE QTY
2018727		MAXIMIZER™ PUSH-TO-CENTER BROOM – 18" MP	BLACK	58.13	8.25	7.75	2.50	6
2018728		MAXIMIZER™ PUSH-TO-CENTER BROOM – 36" MP	BLACK	58.13	8.25	8.75	3.30	6
2018729		MAXIMIZER™ PUSH-TO-CENTER BROOM – 18" FINE	BLACK	58.13	8.25	7.75	2.50	6
2018730		MAXIMIZER™ PUSH-TO-CENTER BROOM – 36" FINE	BLACK	58.13	8.25	8.75	3.30	6
2018781		MAXIMIZER™ HD STAND UP DEBRIS PAN	BLACK	29.00	20.44	11.00	3.90	4
2018782		MAXIMIZER™ 3-IN-1 FLOOR PREP TOOL	BLACK	57.00	4.75	4.75	1.21	6
2018784		MAXIMIZER™ 3-IN-1 SCRUBBER PAD	BLACK	2.63	1.38	0.25	0.01	12
2018786		MAXIMIZER™ 3-IN-1 SCUFF REMOVER PAD	BLACK	2.63	1.38	0.50	0.01	12
2018787		MAXIMIZER™ 3-IN-1 REPLACEABLE SCRAPER	BLACK	2.63	1.50	0.81	0.05	12
2018788		MAXIMIZER™ QUICK CHANGE STORAGE TRAY	BLACK	24.75	19.75	4.13	4.57	1
2018789		MAXIMIZER™ QUICK CHANGE EXTENSION HANDLE	YELLOW	35.50	1.75	1.63	0.84	12
2018790		MAXIMIZER™ QUICK CHANGE DUSTER	BLACK	25.88	2.13	1.25	0.36	6
2018801		MAXIMIZER™ QUICK CHANGE SQUEEGEE	BLACK	13.13	10.13	2.06	0.39	6
2018802		MAXIMIZER™ QUICK CHANGE SCRUB BRUSH	BLACK	11.38	6.00	2.63	0.40	6
2018803		MAXIMIZER™ QUICK CHANGE FLOOR PREP TOOL	BLACK	9.00	4.75	4.75	0.46	6
2018804		MAXIMIZER™ QUICK CHANGE MICROFIBER FRAME	BLACK	17.00	3.25	1.50	0.60	6
2018805		MAXIMIZER™ QUICK CHANGE CLEANING KIT	BLACK	37.00	7.75	3.19	2.21	1
2018806		MAXIMIZER™ WET/DRY DEBRIS PAN	BLACK	29.00	16.88	12.00	3.20	4
2018807		MAXIMIZER™ DOUBLE SIDED BROOM/SQUEEGEE	BLACK	44.50	4.13	7.00	1.40	8
2018824		MAXIMIZER™ OVERHEAD CLEANING TOOL	BLACK	71.50	3.50	2.38	2.50	6
2018825		MF OVERHEAD CLEANING TOOL WINDOW PAD	BLUE	12.63	5.25	0.19	0.09	6





# MAXIMIZER™

The new Maximizer™ cleaning tools from Rubbermaid Commercial Products help workers save time by reducing steps in a task, reducing the time of a step and reducing user effort. Engineered to last and designed to perform in a variety of common spaces, Maximizer™ cleaning tools deliver fast, consistent results shift after shift.

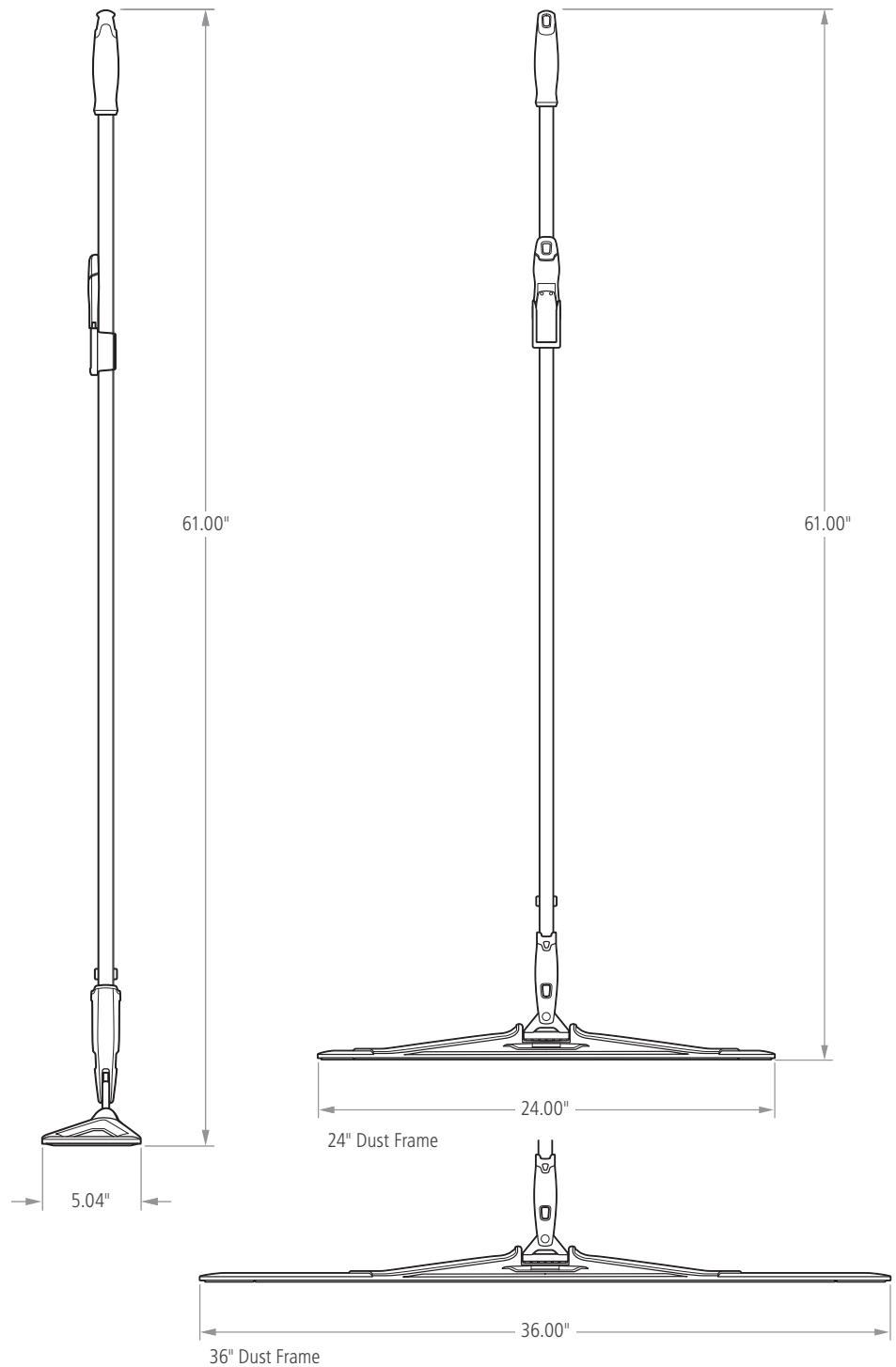
## Features and Benefits:

- EZ Access Scraper connects to handle for quick cleanup of stuck-on debris
- Scraper features a stainless steel blade for durability and superior wear resistance
- Lightweight, quick change handle for easy tool attachment
- Molded grip for comfort
- 24" Dust Mop Frame accepts the 24" Maximizer™ Dust Mop Pad (sold separately)
- 36" Dust Mop Frame accepts the 36" Maximizer™ Dust Mop Pad (sold separately)

## Available Sizes:

- 24"
- 36"

# DUST FRAME, HANDLE, EZ ACCESS SCRAPER



Unit Packaged Dimensions

SKU #	DESCRIPTION	COLOR	LENGTH IN	WIDTH IN	HEIGHT IN	WEIGHT LB	PACK SIZE
2018808	MAXIMIZER™ DUST FRM, HNDL, SCRAPER – 24"	BLACK	57.00	5.50	1.75	1.85	6
2018809	MAXIMIZER™ DUST FRM, HNDL, SCRAPER – 36"	BLACK	57.00	5.50	1.75	2.60	6

