

# E·C·O·N·O+

- Wide drying area
- Allows users to dry hands more naturally and comfortably.
- Air Speed Adjustment
- On/Off Heater Switch
- Standby Power: Less than 0.5W
- Blue action light indicating sensor range and maximum drying efficiency.
- 3 years warranty
- Small footprint
- Easy to service



## Ordering information

Model No	Description	UPC Code
C-01-Slender/342	White	628235093422
C-01-Slender/345	Stainless	628235082312



**CB EMC LVD CE RoHS WEEE**

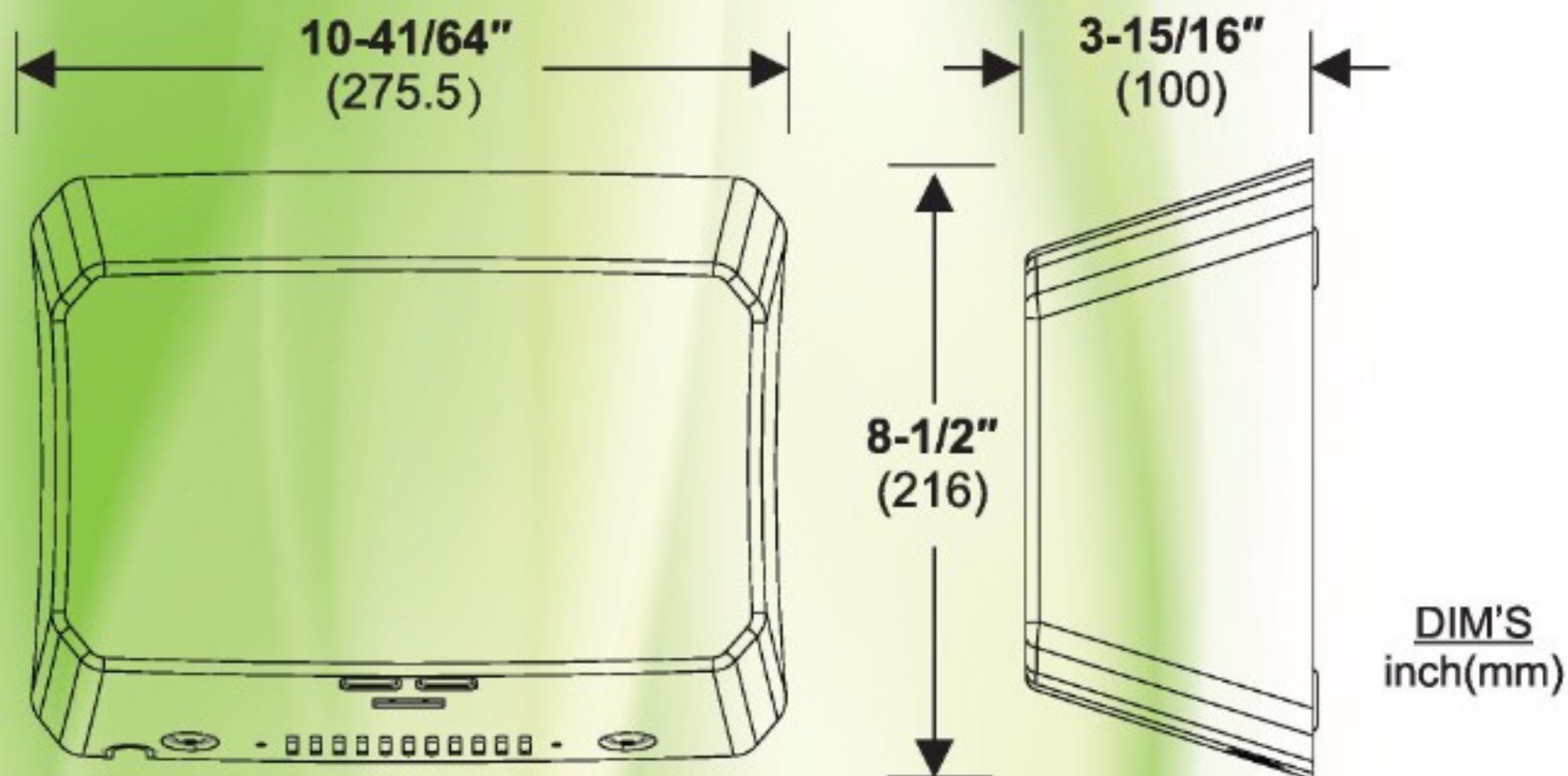
2-25 Boul Maisonneuve  
St-Jerome, QC J5L 0A1  
Tel: +1 450-432-5946  
Tel: +1 855-555-0303

info@comacorporation.com  
www.comacorporation.com



# E·C·O·N·O+ Specification

<b>Material</b>	1.2mm White Powder Coated Steel
<b>Features</b>	Contemporary curved design   Patented high-flow dual air outlets
<b>Motor</b>	250-500W Brush Type: Dual Ball Bearings   15,000-26,000 RPM   95°C auto reset overload
<b>Power Use</b>	240V, 50Hz, 1000W, 4.17A
<b>Sound Level</b>	75db (+/- 3)
<b>Drying time</b>	Less than 15 seconds
<b>DP Rating</b>	IP 23
<b>Element</b>	500W
<b>Heater</b>	85°C auto resetting thermostat   105°C auto reset safety cut off
<b>Warm Air</b>	Speed: 35-70m/s (adjustable)   Temp: Ambient +25°C
<b>Protection</b>	60 sec power cut off, auto reset
<b>Sensor/Range</b>	Infrared Automatic - 152mm +/-20mm preset Blue LED indicates operation/range
<b>Case Security</b>	2 SS theft resistant hex drive screws (hex key supplied)
<b>Net Weight</b>	3.8kg
<b>Dimensions</b>	276mmW x 216mmH x 100mmD
<b>Note</b>	Unit can be hard wired by electrician or used with cord and plug provided
<b>Material</b>	1.2mm White Powder Coated Steel





# E·C·O·N·O+ Installation

**Installation must be performed by qualified personnel. Hand dryer must be grounded.**

## Installation

1. Fix the position card on the wall. Suitable height for hole "D" is 130 cm (50") from ground.
2. Drill 4 holes (A, B, C, D, 8 mm (5/16") diameter; 35 mm (3/8") depth.)
3. Take off the mounting instruction sheet. Hammer dowels into 4 holes.
4. Remove the housing from the base plate; fix the base plate firmly on to the wall.
5. Connections:
  - A. Connect the live wire (colored red or brown) to the terminal block marked **L**
  - B. Connect the neutral wire (colored black or blue) to the terminal block marked **N**
  - C. Connect the ground wire (colored green and yellow) to the green screw marked **"E"**.
6. Attach housing back to base plate.

## Operation

Shake excess water from hands. Place hands under dryer to start operation. Place hands under dryer. Rub hands lightly & rapidly. Dryer stops automatically.

**-IMPORTANT: After turning on electrical power, it takes up to 5 Seconds till hand dryer be ready to operate.**

## Cleaning & Maintenance

Easy to maintain. If the surface is dirty or dusty just wipe to clean.

Regularly clean exterior surfaces and wash with mild soap.

Remove accumulated dust from air inlet areas.

Ensure that infrared sensor lens is clean and unobstructed.

Once per year or more frequently if dryer is installed in a dusty, greasy, or heavy use

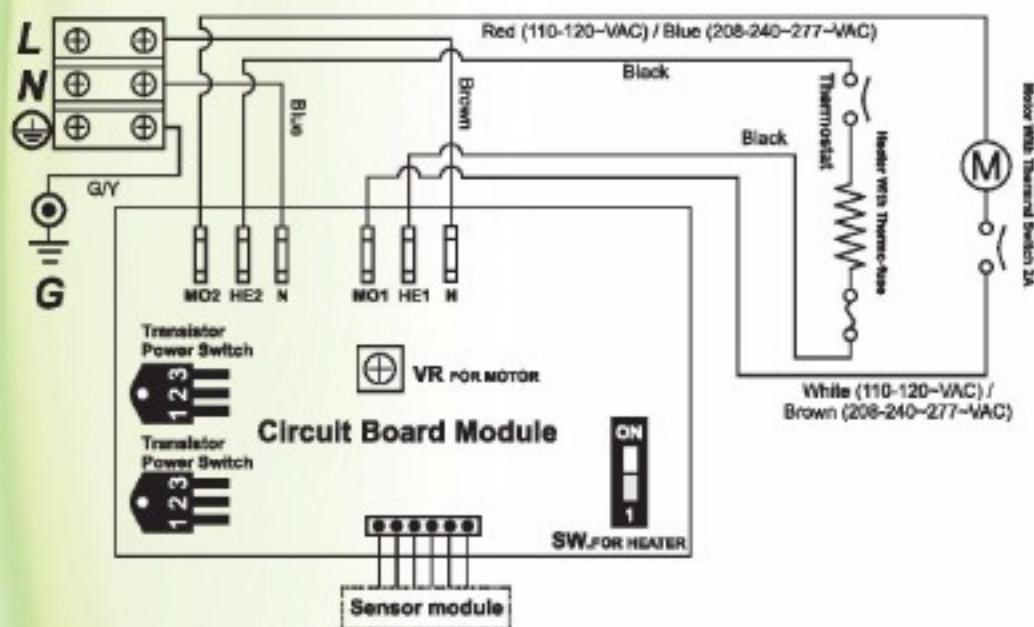
## Environment:

**IMPORTANT: Turn off the breaker at electrical panel or source.**

Remove cover. Remove accumulated dust from mechanism. Replace cover and restore power.

## LIMITED THREE-YEARS WARRANTY

Should this product fail to perform satisfactorily due to a defect or poor workmanship within THREE-YEARS from the date of purchase, return it to the place of purchase and it will be repaired, free of charge. incidental or consequential damages are excluded from this warranty.



## General safety information

### ⚠ WARNING

Disconnect power before installation or servicing.

### ⚠ WARNING

This product intended for installation by a qualified service person. Use AWG NO. 12 solid conductor for wiring.

### ⚠ WARNING

All units must be supplied with a 3-wire service. The ground wire must be connected to the dryer's backplate.

### ⚠ DANGER

Failure to properly ground unit could result in severe electrical shock and/or death.

**NOTE: Do not install dryer over washbasin.**

### Distance from bottom edge of dryer to floor:

Men .....	47" (119cm)
Women .....	44" (112cm)
Children 8-10 years .....	35" (89cm)
Children 11-13 years.....	38" (97cm)
Children 14-16 years .....	44" (112 cm)
Disabled .....	36" (91cm)



CB EMC LVD CE RoHS WEEE

2-25 Boul Maisonneuve  
St-Jerome, QC J5L 0A1  
Tel: +1 450-432-5946  
Tel: +1 855-555-0303

info@comaccorporation.com  
www.comaccorporation.com



# E·C·O·N·O+

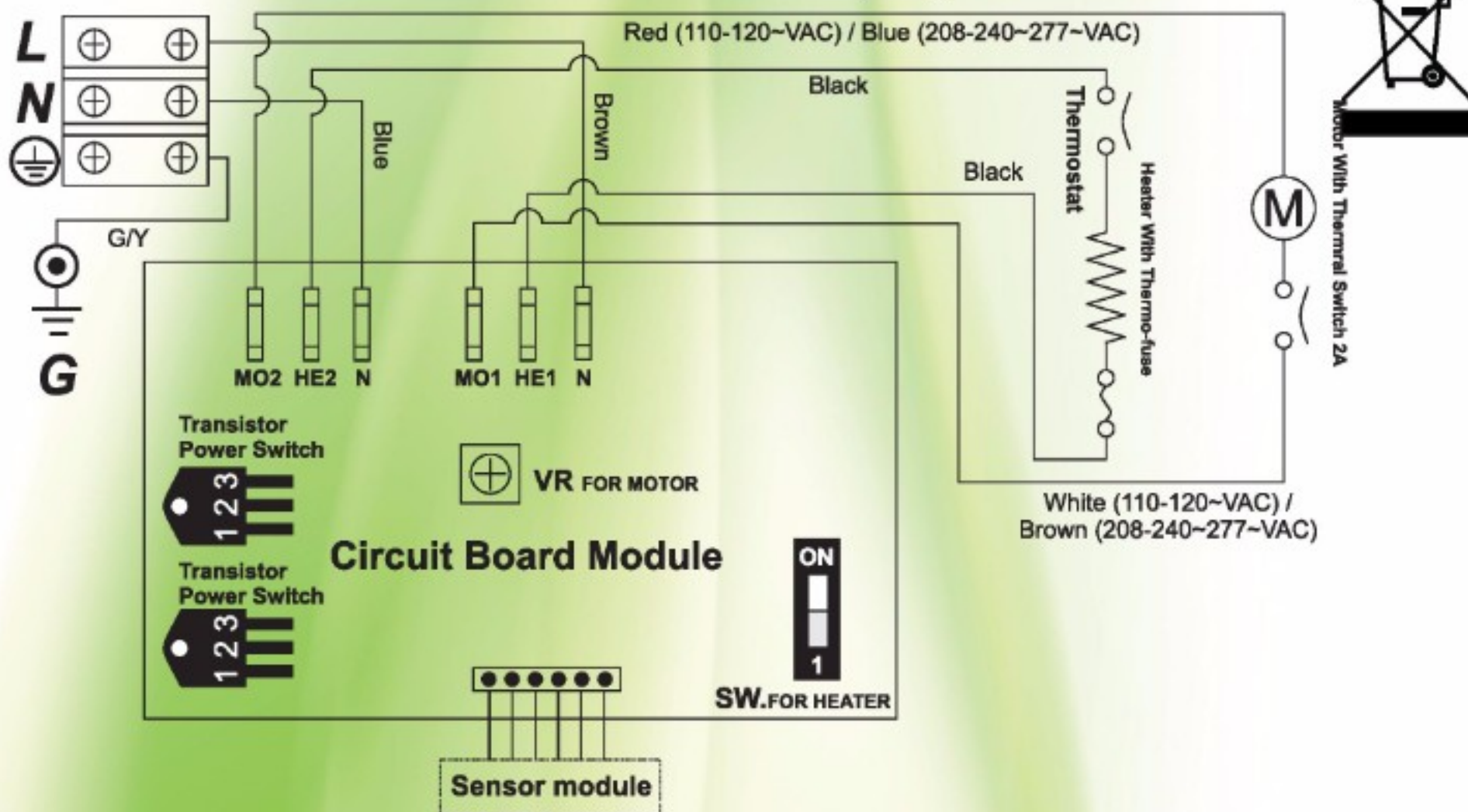
## Wiring

### Important Information

This product falls within the scope of the Waste Electrical & Electronic Equipment Directive 2002/96 EC. (WEEE)

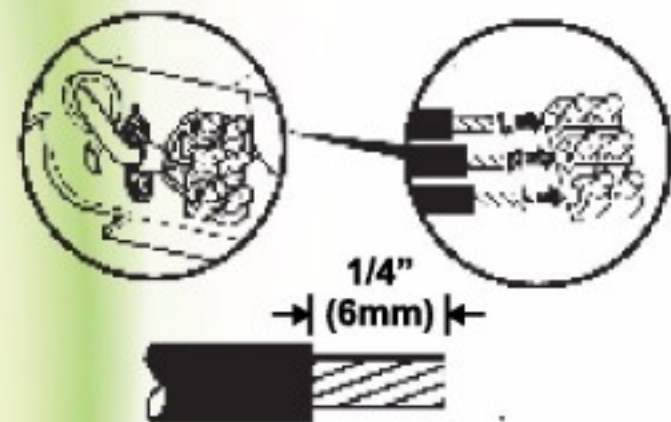
### Note:

This product should not be disposed of with household waste. Please recycle where facilities exist. Check with your local Authority for recycling advice.



### Connect Description

- 1- Secure the base plate on the wall.
- 2- Use only 1/2" trade conduit.
- 3- Connections:
  - A. Connect the red (or brown) live wire to the terminal block marked "L".
  - B. Connect the black (or blue) neutral wire to the terminal block marked "N".
  - C. Connect the green and yellow (or green, note bare earth wires should be sleeved with green and yellow or green sleeving) earth wire colored to the ground washer marked with the earth symbol. Ⓧ



2-25 Boul Maisonneuve  
St-Jerome, QC J5L 0A1  
Tel: +1 450-432-5946  
Tel: +1 855-555-0303

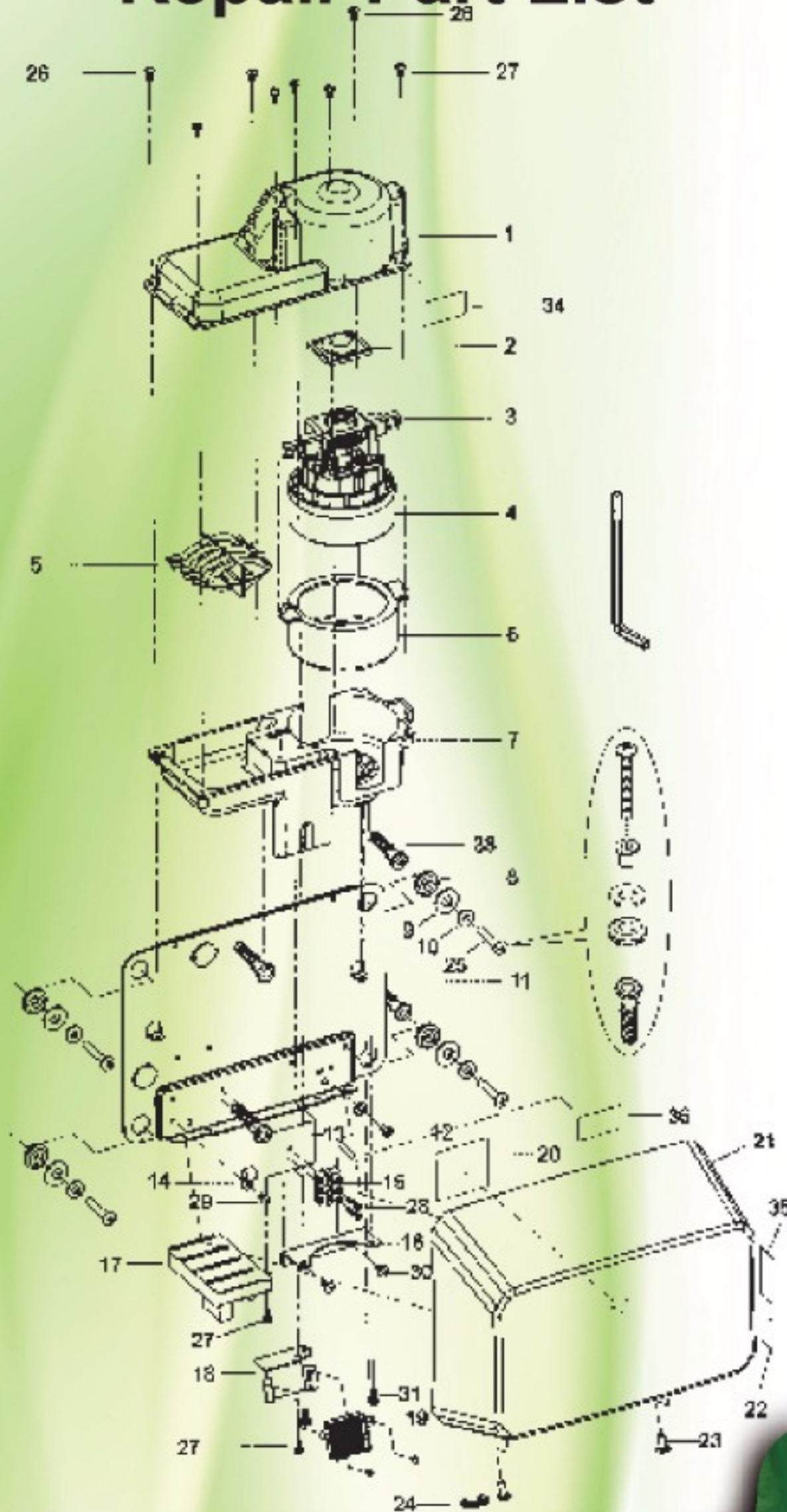
info@comaccorporation.com  
www.comaccorporation.com



RoHS WEEE



# E·C·O·N·O+ Repair Part List





# E·C·O·N·O+ Repair Part List

	Description	QTY
1	Blower housing - Upper	1
2	Motor rubber - Upper	1
3	Motor brushes	2
4	Motor	1
5	Heater assembly	1
6	Motor rubber -Lower	1
7	Blower housing -Lower	1
8	Rubber grommet -Base	4
9	Metal washer	4
10	Nylon bushing	4
11	Base plate	1
12	Grounding screw with cup washer	1
13	Mylar shield with LNG marked	1
14	Nylon cable clamp	1
15	Terminal block	1
16	Blower mounting bracket	1
17	Circuit Board Module (CBM)	1
18	Sensor bracket	1
19	Sensor module	1
20	Label, Circuit Diagram	1
21	Cover	1
22	CAUTION label	1
23	Security hex cap head 1/4"-20 x 5/8" screw with lock washer	2
24	Cable protector	1
25	Self threading screw 1/4"x1-1/2", philips pan head	4
26	Screw M4x10, philips pan head	2
27	Self threading screw M4x10, philips pan head	8
28	Screw M3x16,philips pan head	2
29	Screw M4x10,philips pan head with external tooth lock washer	1
30	Screw M5x8,philips pan head with external tooth lock washer	2
31	Screw M5x10,philips pan head	2
32	Wires Harness (Not Shown)	1
33	L-Wrench	1
34	CBM terminal legend label	1
35	Rating label	1
36	Caution Branch Circuit label	1
37	Crimp-on wire tips for terminal block	3
38	Plastic wall anchor 5/16" DIA x 1-3/8" long (#8 x 35)	4

2-25 Boul Maisonneuve  
St-Jerome, QC J5L 0A1  
Tel: +1 450-432-5946  
Tel: +1 855-555-0303

info@comaccorporation.com  
www.comaccorporation.com



RoHS WEEE



# E·C·O·N·O+

## Trouble shooting

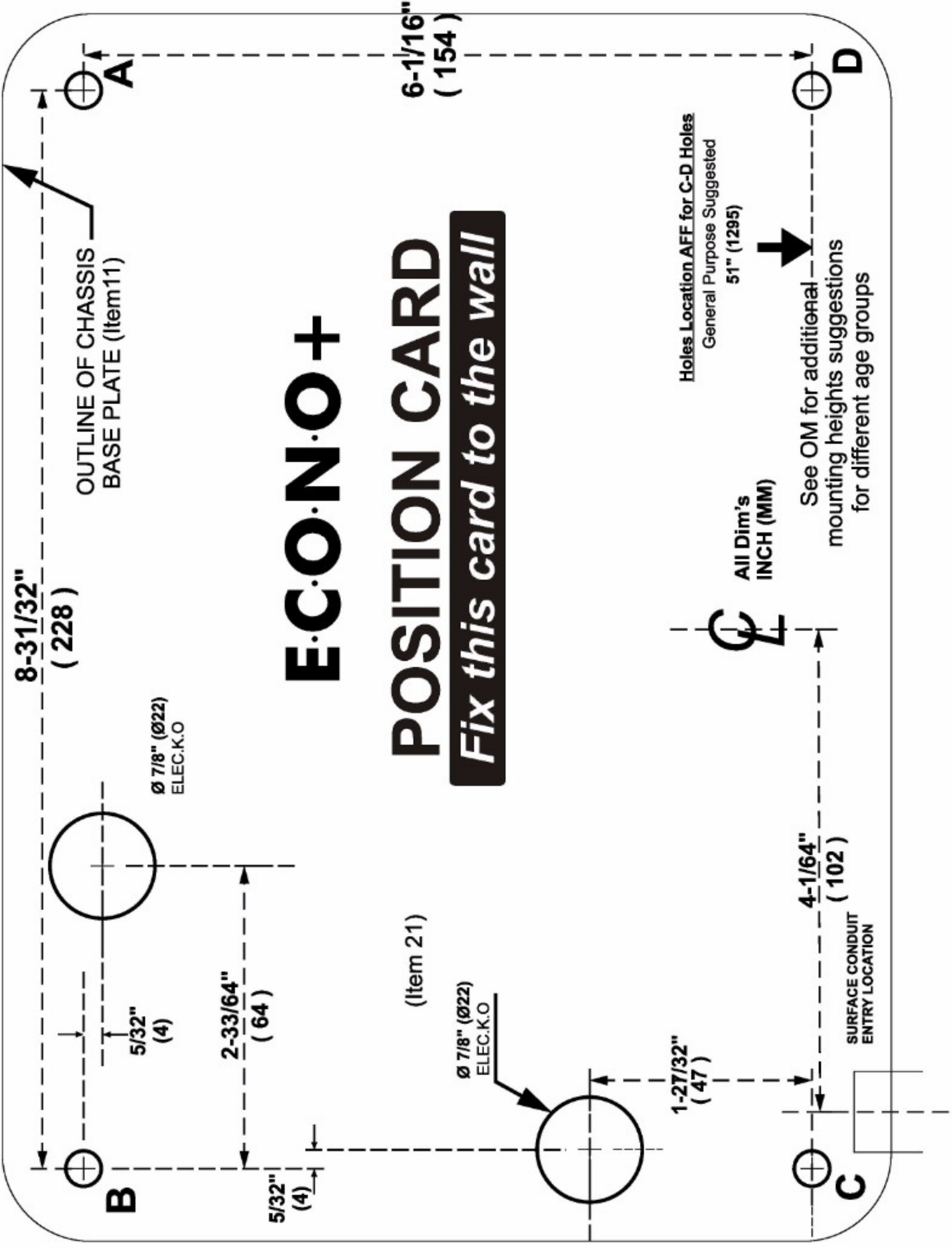
Symptom	Corrective Action
Blower motor stops running	<p>Turn off power to the dryer at electrical panel. Remove cover. Check all wiring connections from terminal board to the motor. Check blower wheel and spin to make sure it rotates freely: Look for objects blocking the free movement. Replace cover and turn on power to the hand dryer. If motor fails to start, have a qualified electrician check the Push-On-Switch, thermostat, motor and capacitor for proper operation. Replace if necessary.</p>
Dryer blows cold air	<p>Turn off power to the dryer at the electrical panel. Remove cover. Check all wiring connections to make sure all terminals are firmly mounted in place and the wire insulation is in good condition. Have a qualified electrician check the thermal cut off and heating element. Replace cover, turn on power to the hand dryer. If dryer continues to blow cold air, replace defective thermal cut off and/or heating element.</p>
Dryer will not shut off or will not run for a complete cycle	<p>Replace timer assembly</p>



2-25 Boul Maisonneuve  
St-Jerome, QC J5L 0A1  
Tel: +1 450-432-5946  
Tel: +1 855-555-0303

info@comaccorporation.com  
www.comaccorporation.com





OUTLINE OF CHASSIS  
BASE PLATE (Item 11)

$8\text{-}31/32''$   
( 228 )

$6\text{-}1/16''$   
( 154 )

# E·C·O·N·O·+

## POSITION CARD

**Fix this card to the wall**

$\varnothing 7/8''$  ( $\varnothing 22$ )  
ELEC.K.O

$5/32''$   
( 4 )

$2\text{-}33/64''$   
( 64 )

$5/32''$   
( 4 )

(Item 21)

$\varnothing 7/8''$  ( $\varnothing 22$ )  
ELEC.K.O

$1\text{-}27/32''$   
( 47 )

$4\text{-}1/64''$   
( 102 )

SURFACE CONDUIT  
ENTRY LOCATION

$\varnothing$

ALL DIM'S  
INCH (MM)

Holes Location AFF for C-D Holes  
General Purpose Suggested  
51" (1295)

See OM for additional  
mounting heights suggestions  
for different age groups