

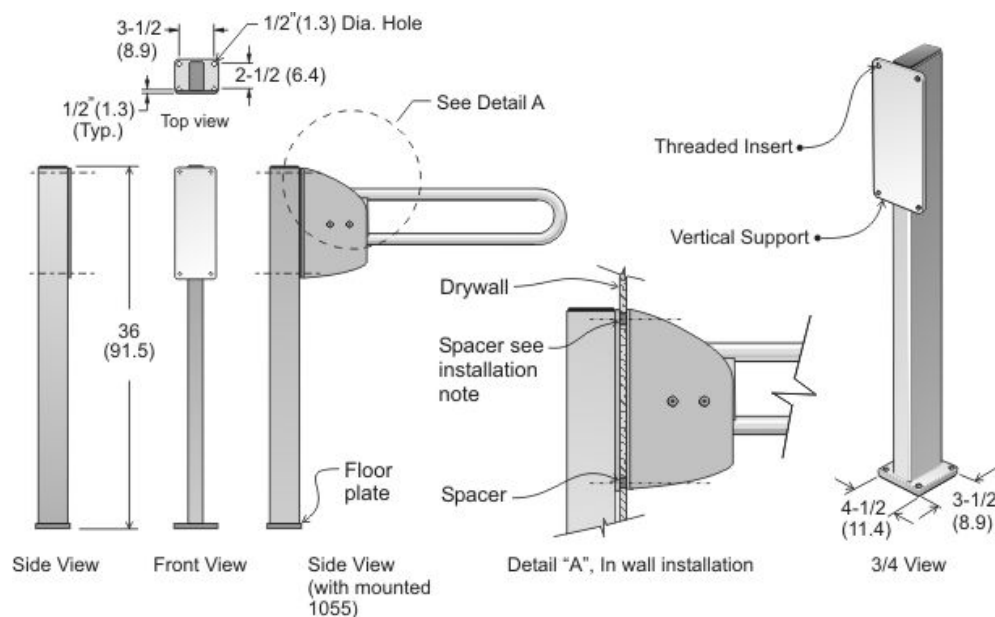


- Quality
- Value
- Service

**Tech
Reference**

Flip up / Swing up Safety Rail

Code 1055-500: Carrier Stand, for Code 1055 safety rail, white finish



Specifications:

Site Location: The horizontal support is intended for use with the code 1055 swing up grab bar to allow for floor mounting where adequate in wall backing is unavailable.

Materials: Carrier stand shall be 1-1/2" x 3" x 1/8" thick crs tubing. Floor mounting plate shall be 3/8" crs plate. All welded construction.

Installation: Secure to floor with appropriate anchoring system for floor material. Use floor plate as a template to locate mounting holes. Drill holes and set anchors as required. Anchor bolts should be 3/8" diameter, with a minimum pull out strength of 3,500 lbs. Medium duty sleeve anchors typically have a 5,300 lb. pullout rating and heavy duty wedge anchors can offer up to 5,900 lbs. Mount carrier stand to anchors and secure swing up grab bar to vertical support. We suggest installation by a qualified tradesman.

Grab Bar Mounting: Requires four 1/4"-20 unc machine screws to secure Frost Code 1055 grab bar to vertical support. For regular mounting a minimum machine screw length of 7/8" is required. When mounting "in wall" the machine screw length will vary due to the thickness of wall materials and other decorative surfaces. The correct machine screw length should be determined by the contractor or designer of the installation. Mounting screws are not included.

In wall Installation: Threaded inserts on vertical support allow for blind fastening of flip up grab bar during in wall installation. We recommend a spacer tube to be used for in wall drywall installation.

Description and specifications applicable on date issued. Frost reserves the right to make improvements or changes without notice.