



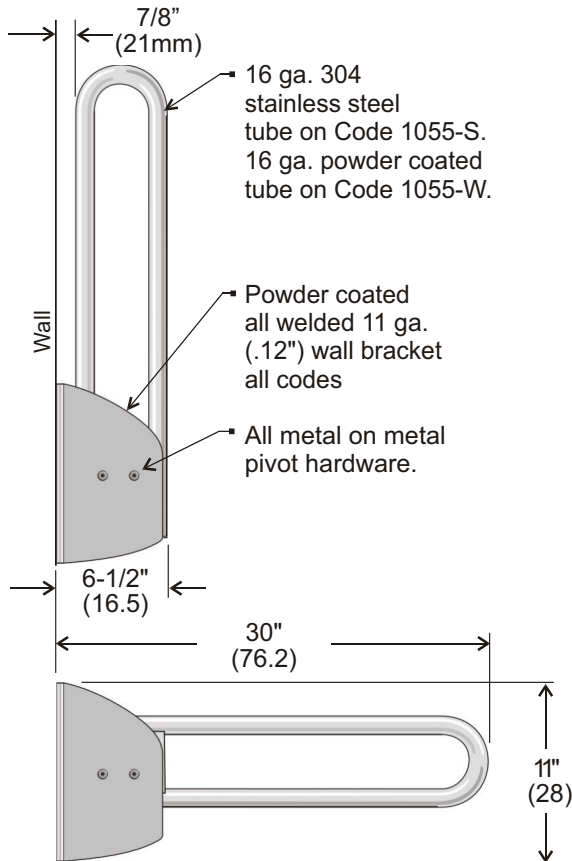
Flip up / Swing up Safety Rail

Code 1055-W Safety rail, all white finish

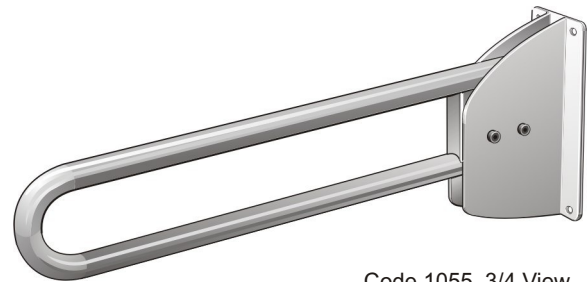
Code 1055-S Safety rail, stainless steel, (wall bracket in white finish)

Code 1055-FTS: Safety rail, stainless steel, with removable toilet paper dispenser in white finish.

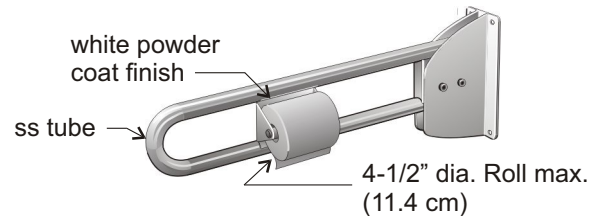
Code 1055-FTW: Safety rail, all white finish, with removable toilet paper dispenser in white finish.



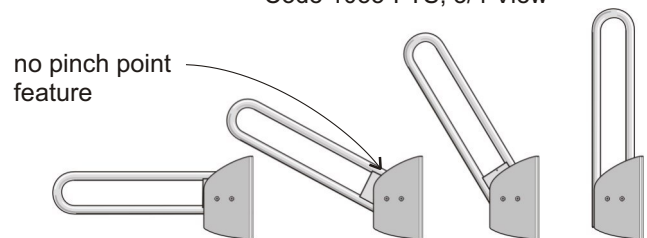
Side and retracted view



Code 1055, 3/4 View



Code 1055-FTS, 3/4 View



Progressive view

Specifications

- Sitelocation:** • These units are highly recommended by barrier-free design experts because they provide the optimum approach path for wheelchair use. Consult applicable codes for specific requirements.
- Materials:** • Tubing is either 16 gauge type 304, 1-1/4" O.D. stainless steel, no. 4 finish or 16 gauge crs in white powder coat finish. Mandrel bending process on all curves maintains uniform bar diameter. Toilet tissue holder is fabricated from 18 ga. crs with white powder coat finish.
- Operation:** • Grab bar is manually lowered to horizontal support position and raised for departure. A locking system enables the flip up grab bar to be locked in either a horizontal or retracted position. Large inner web eliminates potential pinch point during operation.
- Installation:** • Secure to wall where adequate in wall backing exists. Use wall plate as a template to locate mounting holes. Drill holes and set anchors as appropriate. Mount grab bar and secure mounting screws. The 1055 flip up grab bar will sustain loads of 300 lbs. (1.33kN) under it's intended use. Also the types of loads (especially dynamic) applied are hard to predict. It's up to the designer to determine the suitability of the use of these grab bars in this situation.

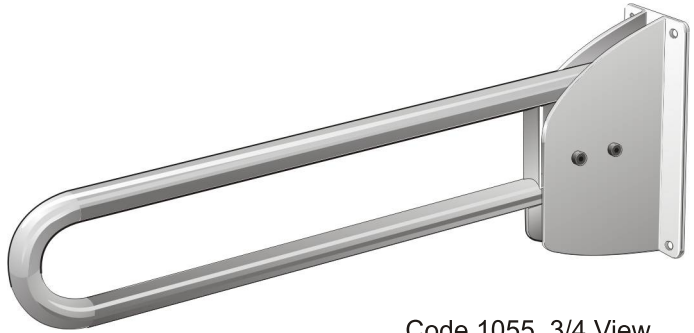


Safety Warning: All grab bars must be installed by qualified trades persons. Installers must consult and comply with local building codes. Mounting hardware and other systems to be determined by contractor and installer pending specific structure, design, and conditions. All installations must be fully inspected and approved by property owners and maintenance personnel prior to product being put into use. Failure to comply to proper installation procedure will void warranty and may result in malfunctioning or injury.

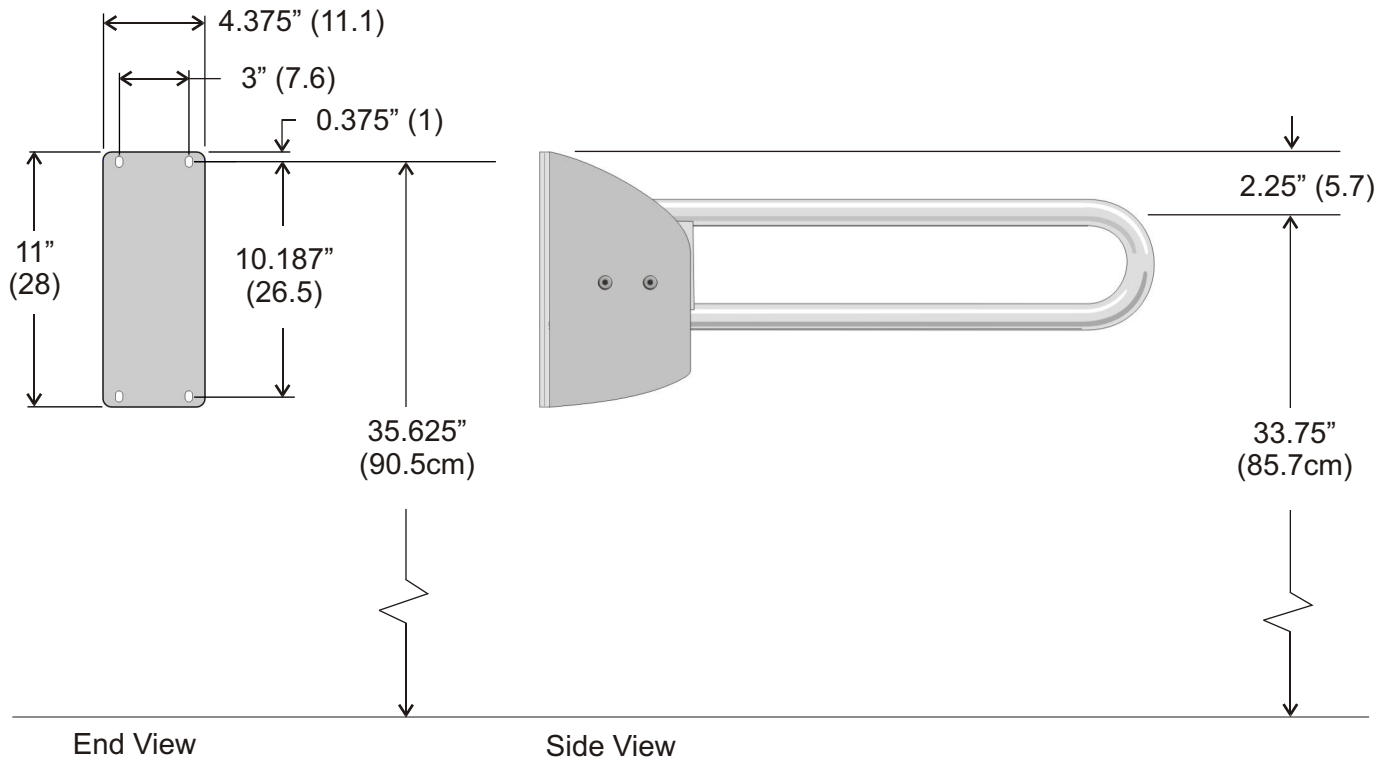


Swing up Safety Rail

Code 1055 Mounting hole locations



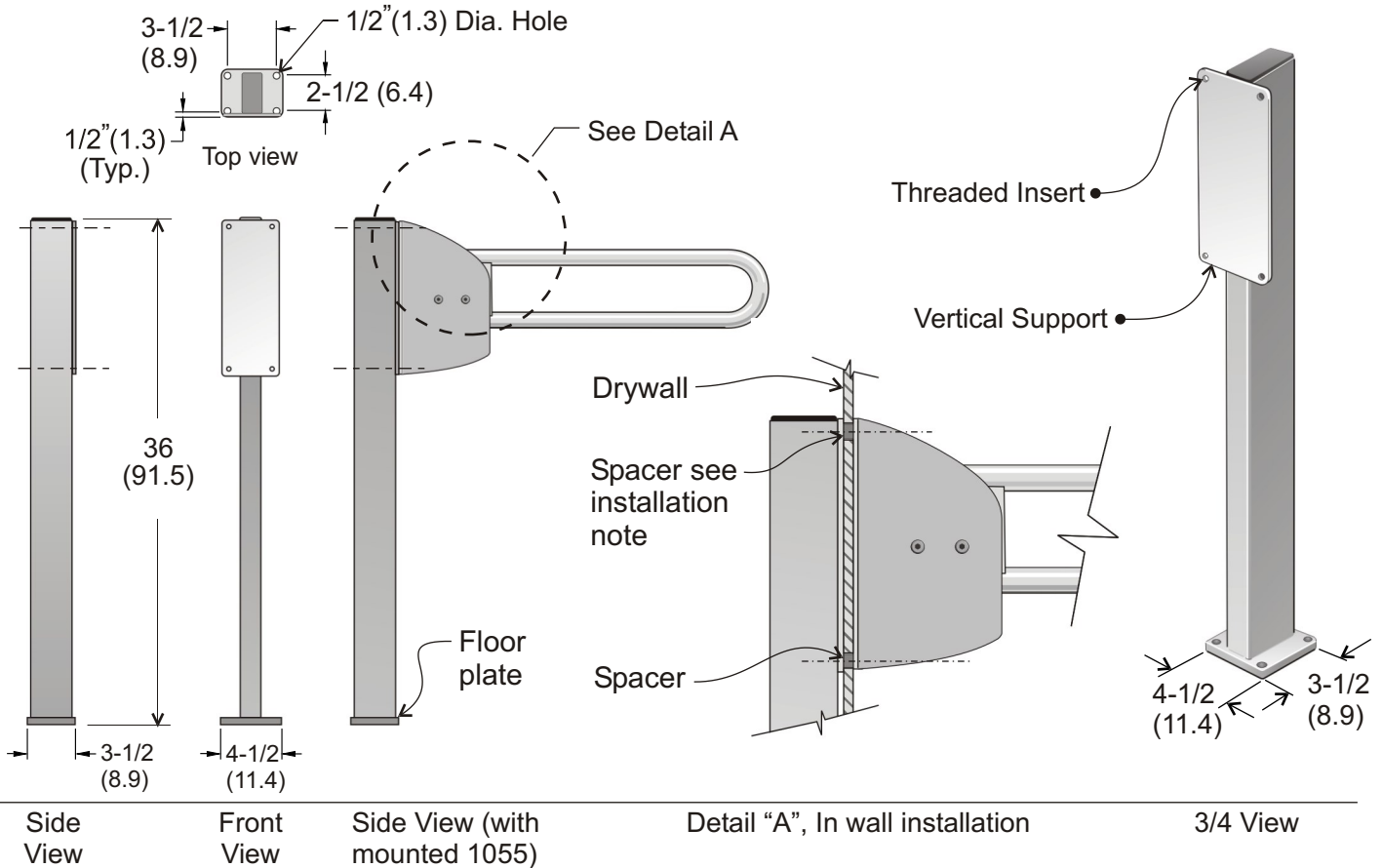
Code 1055, 3/4 View






Flip up / Swing up Safety Rail

Code 1055-500: Carrier Stand for Code 1055 safety rail, white finish.



Specifications

- Site location:**
- The horizontal support is intended for use with the Frost Code 1055 swing up grab bar to allow for floor mounting where adequate in wall backing is unavailable.
- Materials:**
- Carrier stand shall be 1-1/2" x 3" x 1/8" thick crs tubing. Floor mounting plate shall be 3/8" crs plate. All welded construction.
- Installation:**
- Secure to floor with appropriate anchoring system for floor material. Use floor plate as a template to locate mounting holes. Drill holes and set anchors as required. Anchor bolts should be 3/8" diameter, with a minimum pull out strength of 3,500 lbs. Medium duty sleeve anchors typically have a 5,300 lb. pullout rating and heavy duty wedge anchors can offer up to 5,900 lbs. Mount carrier stand to anchors and secure swing up grab bar to vertical support. We suggest installation by a qualified tradesman.
-  **Grab Bar Mounting:**
- For regular mounting a minimum machine screw length of 7/8" is required. When mounting "in wall" the machine screw length will vary due to the thickness of wall materials and other decorative surfaces. The correct machine screw length should be determined by the contractor or designer of the installation. Mounting screws are not included.
- In Wall Installation:**
- Threaded inserts on vertical support allow for blind fastening of flip up grab bar during in wall installation. We recommend a spacer tube to be used for in wall drywall installation.

Safety Warning: All grab bars must be installed by qualified trades persons. Installers must consult and comply with local building codes. Mounting hardware and other systems to be determined by contractor and installer pending specific structure, design, and conditions. All installations must be fully inspected and approved by property owners and maintenance personnel prior to product being put into use. Failure to comply to proper installation procedure will void warranty and may result in malfunctioning or injury.