



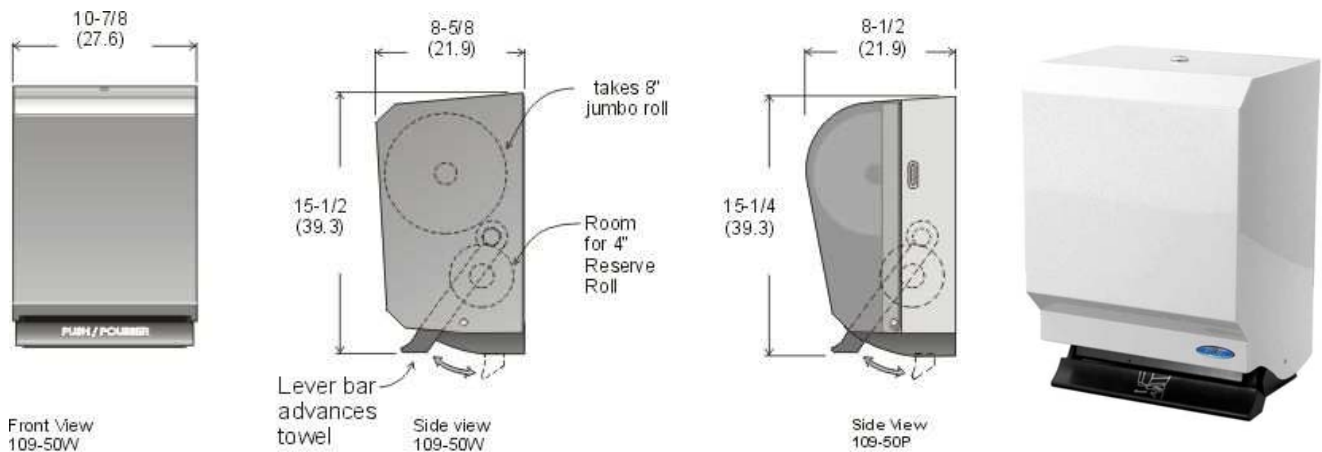
- Quality
- Value
- Service

**Tech
Reference**

Hygienic Solutions at Work

Control Roll Towel Dispenser

- Code 109-50W:** White epoxy powder finish
Code 109-50S: Stainless steel, 304 no. 4 finish
Code 109-50P: Smoked polycarbonate cover with metal back.



Specifications:

Site location: All metal construction is ideal for high traffic areas where vandalism is a concern.
Dispensing: The 109-50 is designed to dispense Jumbo 8" diameter (4" reserve roll) x 8" wide roll towels. Controlled delivery is easy with push action lever. Comes with keyed tumbler lock to reduce pilferage and vandalism. Front loading for easy service and maintenance.

Code 109-50S: All welded construction of 22 gauge no. 4 brushed finish stainless steel.

Code 109-50P: Tough polycarbonate vandal resistant smoked transparent door.

Shipping Weight: Code 109-50W&S: 12 lbs. (5.3 kg), Code 109-50P: 7 lbs. (3 kg)

Installation: For unrestricted access, bottom of unit to floor should not exceed 44" (111.7). Mounting screws provided.

Description and specifications applicable on date issued. Frost reserves the right to make improvements or changes without notice.