



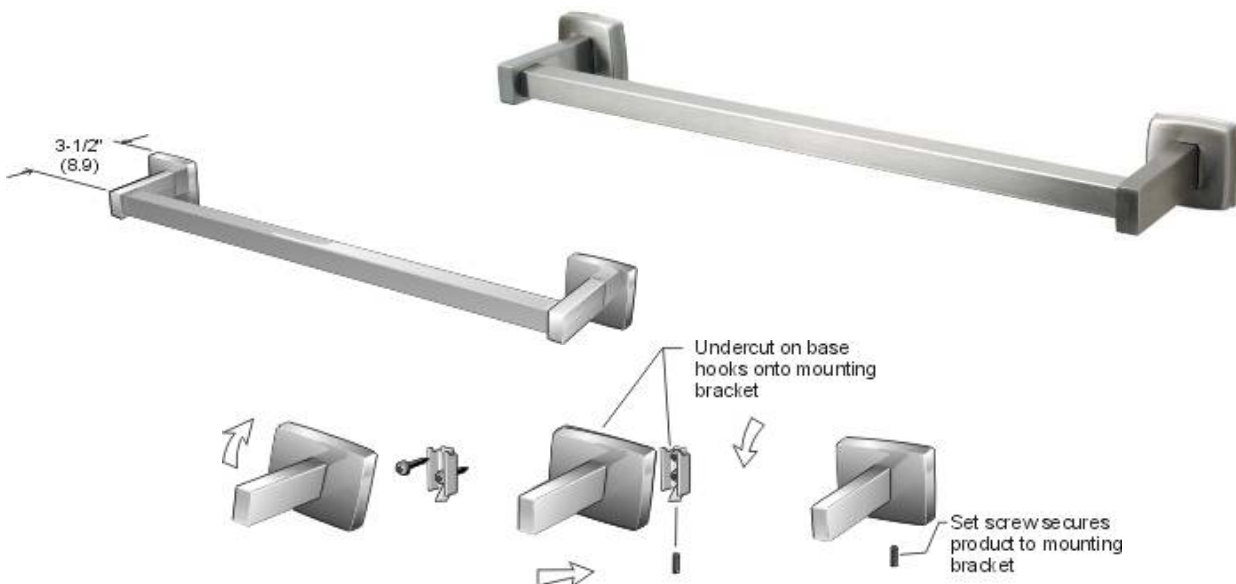
- Quality
- Value
- Service

**Tech
Reference**

Hygienic Solutions at Work

Towel Bars

- Code 1140S:** Stainless 18"
Code 1141S: Stainless 24"
Code 1142S: Stainless 30"
Code 1143S: Stainless 36"



Mounting of Product: Screw concealed mounting system: The mounting bracket is attached to the wall with screws at the desired height. The unit is then hooked onto the bracket. When the set screw is tightened the product is firmly secured to the wall. The set screw applies pressure to an inclined surface on the bracket this provides a rattle free and integral mounting of the product. (mounting bracket and screws provided).

Specifications:

Material: Type 304 stainless steel no. 4 finish.

Features: Concealed mounting.

Description and specifications applicable on date issued. Frost reserves the right to make improvements or changes without notice.