



- Quality
- Value
- Service

**Tech
Reference**

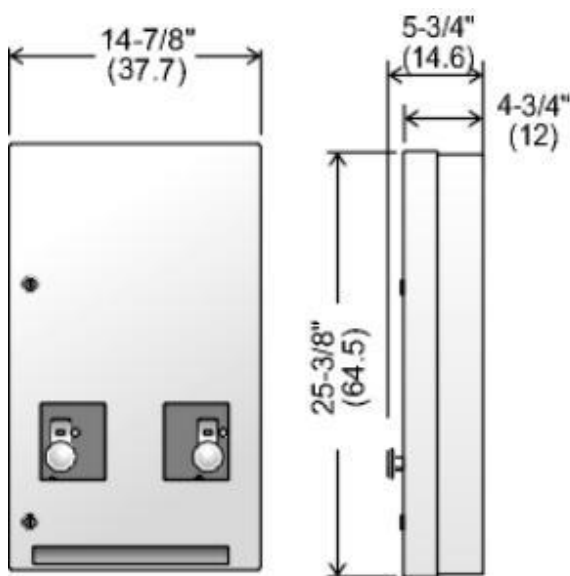
Hygienic Solutions at Work

Double Napkin/Tampon Vendors, surface mount

Code 608-1: Double napkin/tampon vendor, white epoxy

Code 608-3: Double napkin/tampon vendor, stainless type 304 No. 4 brushed finish

[Download PDF](#)



Front view
608-1

Specifications:

Site Location: The surface mounted vendor line provides easy flexible mounting on any type of wall material or construction.

Materials / Features: Epoxy Finish: All welded construction of 20 and 22 gauge steel. Door hinged with full length steel piano hinge and secured with two tumbler keyed locks.

Stainless steel: All welded stainless steel construction, 20 & 22 gauge type 304 No. 4 brushed finish. Door hinged with full length stainless steel piano hinges and secured with two tumbler keyed locks. All units have removable coin box with tumbler lock keyed different from door. Interchangeable coinage mechanism for free, \$.10, \$.25, \$.50, \$1.00, \$2.00 (coin) vending.

Capacity:

608: 15 no. 4 napkin (11 no. 6), 22 standard tampon tubes.

Installation: Secure unit to wall through holes in the back of unit with the four mounting screws provided. For barrier free mounting insure that the coin mechanism handle does not exceed 48" (120 cm) above floor level.

Description and specifications applicable on date issued. Frost reserves the right to make improvements or changes without notice.