



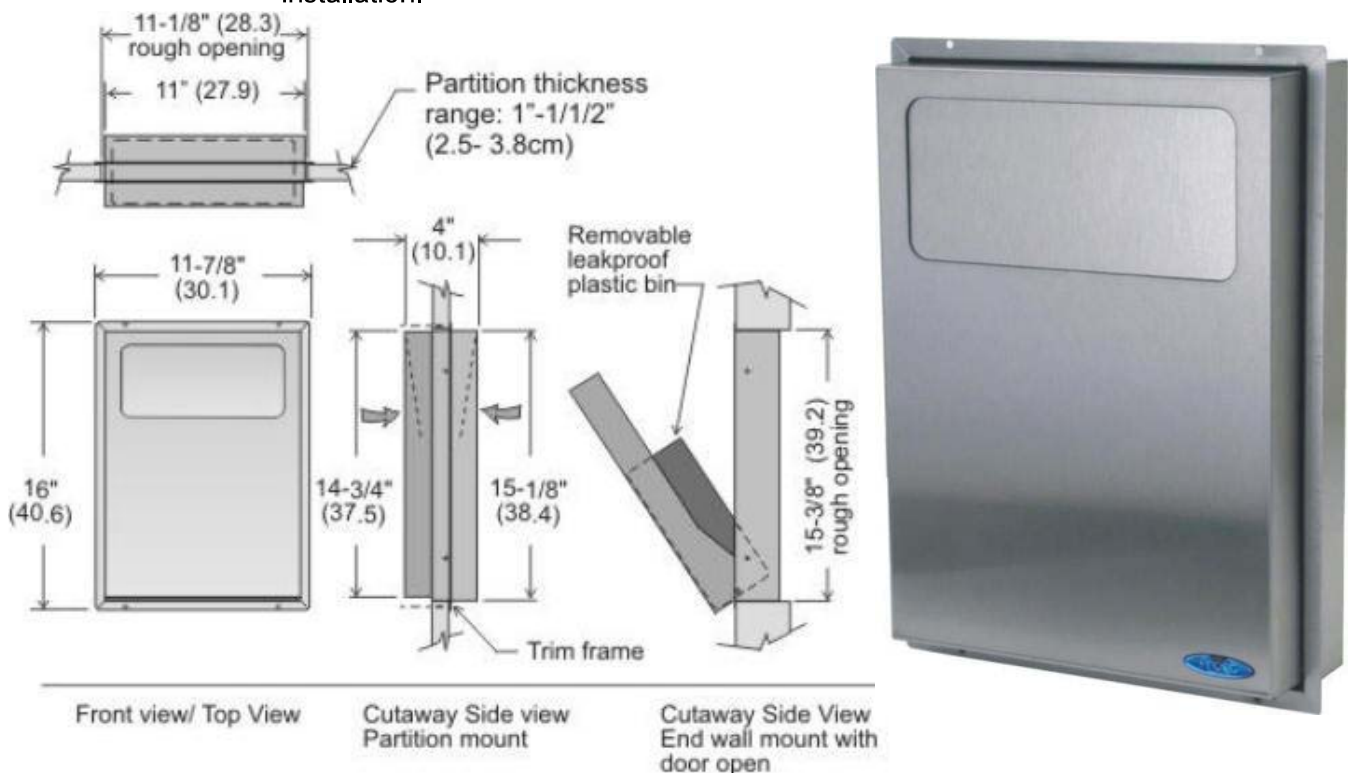
- Quality
- Value
- Service

**Tech  
Reference**

## Hygienic Solutions at Work

### Partition Mounted Napkin Disposals

**Code 640:** All stainless steel type 304, for both partition and end wall installation.



### Specifications:

**Site Location:** The Code 640 unit is designed for use with standard partition systems with one unit serving two compartments. The same unit is used for end wall mounting when there is an odd number of compartments.

**Features:** One unit serves two compartments. Removable leak proof plastic waste bin for easy maintenance. Bin capacity: 5 litres (1 imp. gallon, 1.3 US gallons). Waste bin removable from one side. Self closing inlet doors. Comes with English / French labels. Full length stainless steel piano hinges. All welded stainless steel construction, 22 gauge type 304 No. 4 brushed finish.

**Installation:** Provide wall opening 11-1/8"W (28.5) x 15-3/8"H (39.2), end wall installation requires 3" of depth (7.6). Secure to opening through mounting holes provided. Position top edge of unit 26" (66) from floor. For barrier free mounting insure that top of unit does not exceed 48" (120 cm) above floor level.

Description and specifications applicable on date issued. Frost reserves the right to make improvements or changes without notice.