

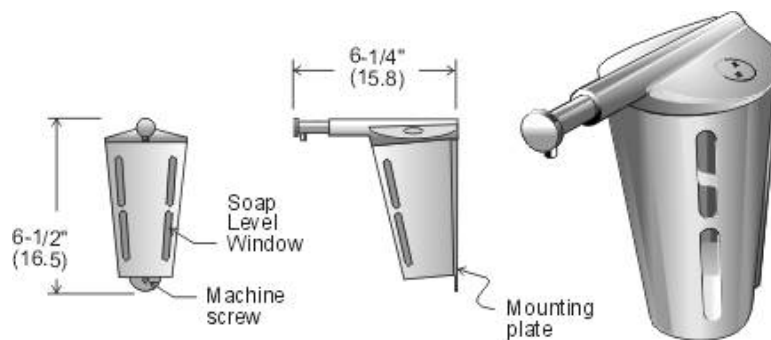


- Quality
- Value
- Service

**Tech
Reference**

Liquid Soap Dispenser

Code 705-100: Chrome plated body



Specifications:

Site Location:

The surface mounted unit is intended for any type of wall material or construction.

Features:

All chrome plated body and mounting bracket. Chained keyed filter cap. Soap level indicator slots. All mounting screws concealed.

Soap Types:

705-100 is for use with coconut oil base soap at 10-20% solution. We do not recommend any soap types that have an ammonium based surfactant, ie. Ammonium Lauryl Sulfate.

Capacity: 12 oz. (340 g)

Installation:

Secure mounting plate to wall through holes with four mounting screws provided. Slip dispenser over mounting plate and secure with single machine screw at bottom.

Description and specifications applicable on date issued. Frost reserves the right to make improvements or changes without notice.