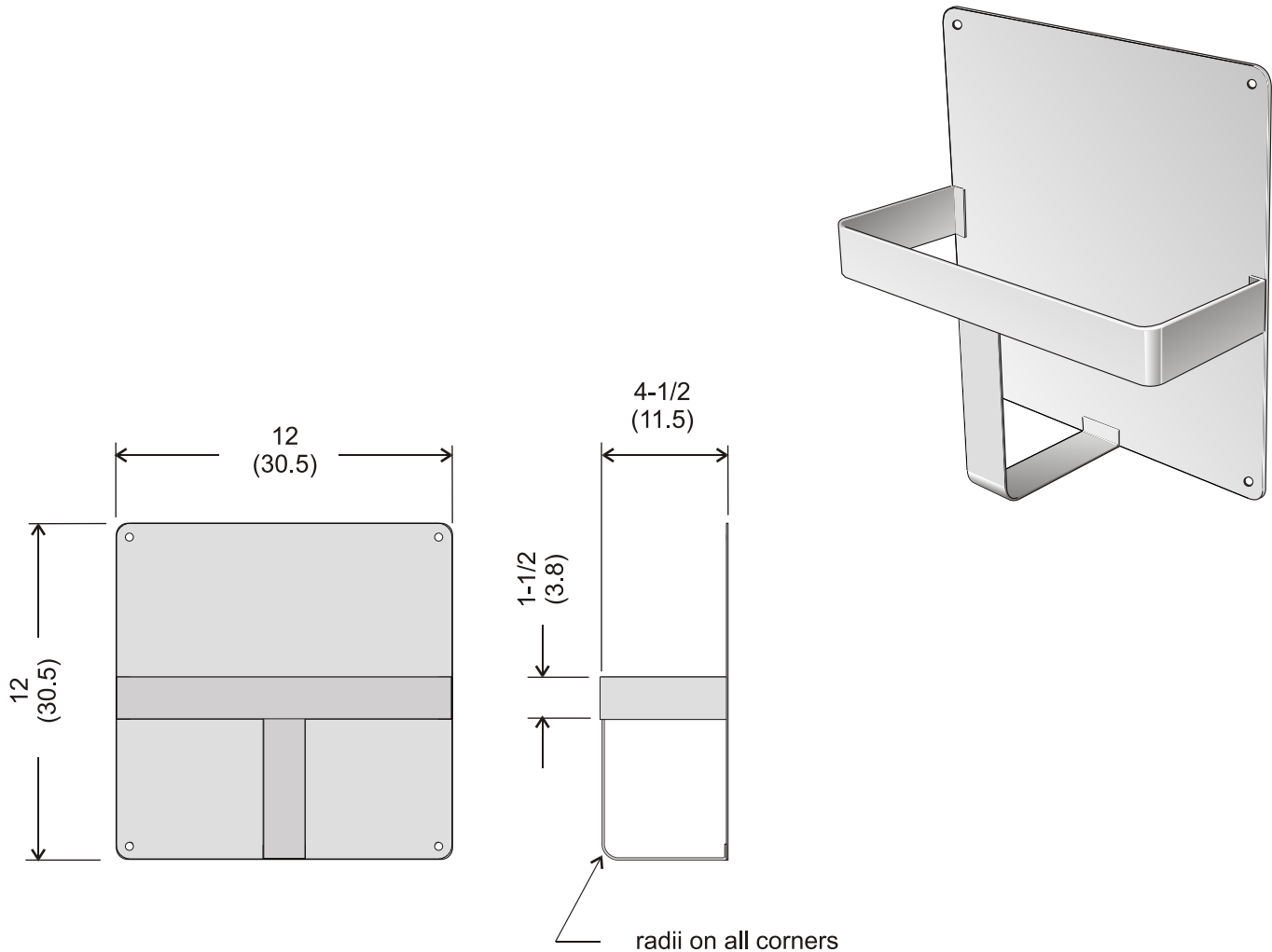




## Stainless Steel Bedpan Storage Rack

Code 875-1: Stainless steel bedpan storage rack, single



Code 875-1  
Front view

Side View

**Material:**

- Type 304 , 20 gauge stainless steel. Brackets fabricated of type 304, 18 gauge stainless steel.

**Specification:**

- Wall utensil rack back plate is provided with one bracket for conventional size bedpan. Brackets are welded to back plate with smooth edges for maximum safety.

