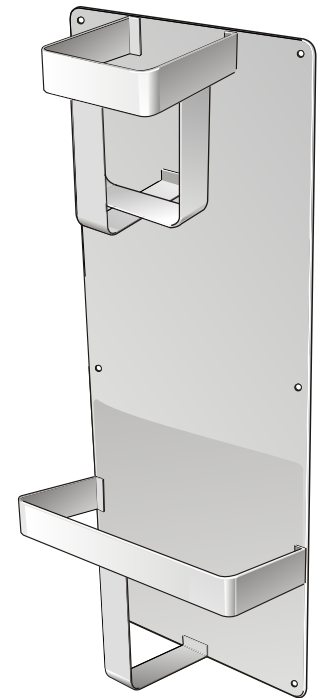
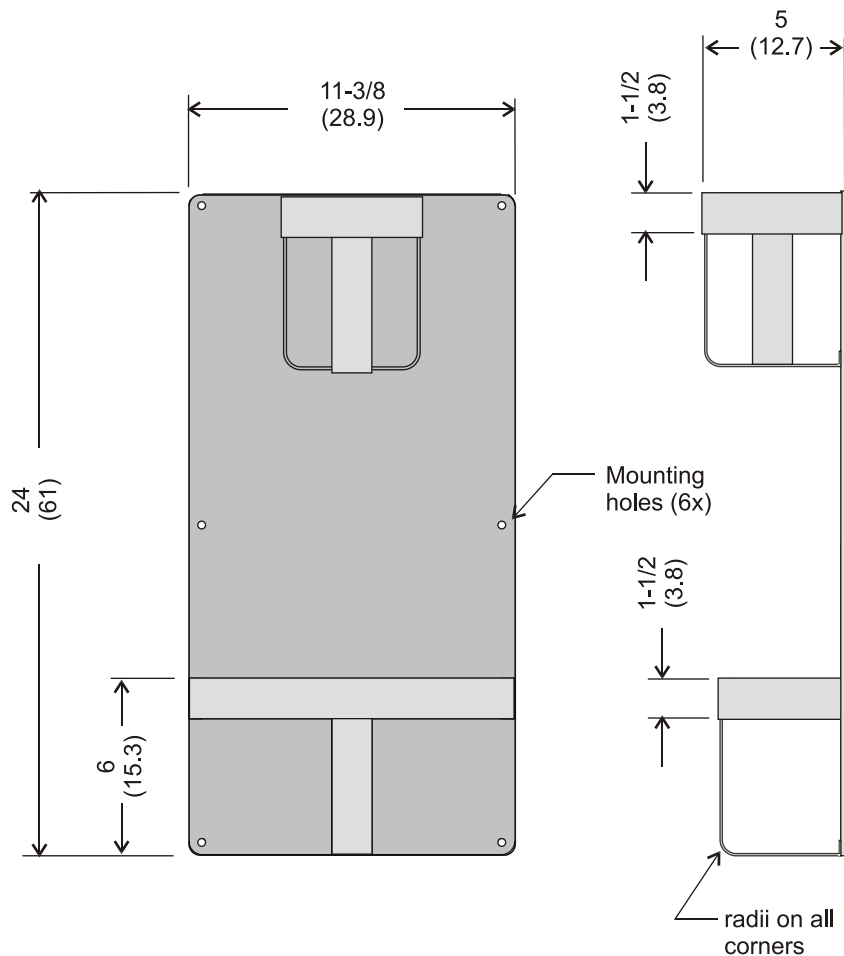




Stainless Steel Bedpan Storage Rack

Code 875: Stainless steel bedpan storage rack

Dimensions in inches, centimeters in brackets



Code 875
Front view

Side View

Specifications

- Material:**
- Type 304 , 20 gauge stainless steel. Brackets fabricated of type 304, 18 gauge stainless steel.
- Specification:**
- Wall plate is provided with one bracket for urinal bottle and one bracket for conventional size bedpan. Brackets are welded to back plate with smooth edges for maximum safety.
- Installation:**
- Mount bottom of unit 48" (120) above floor. Mounting screws provided.