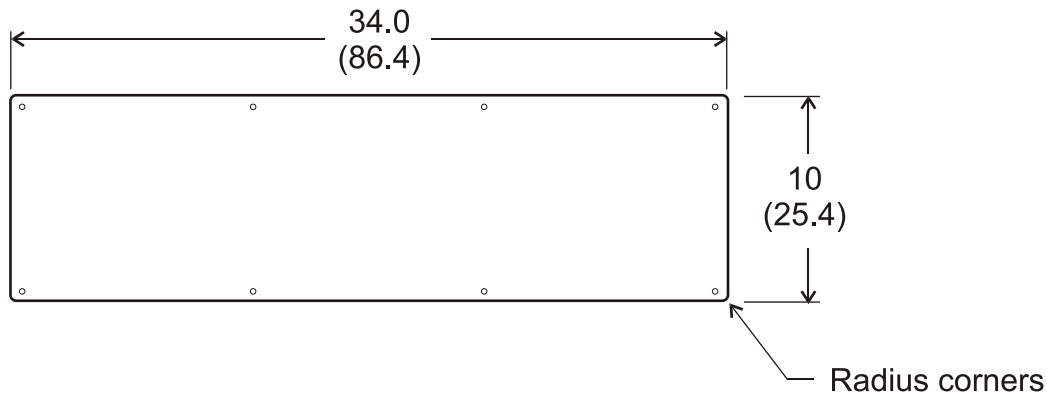
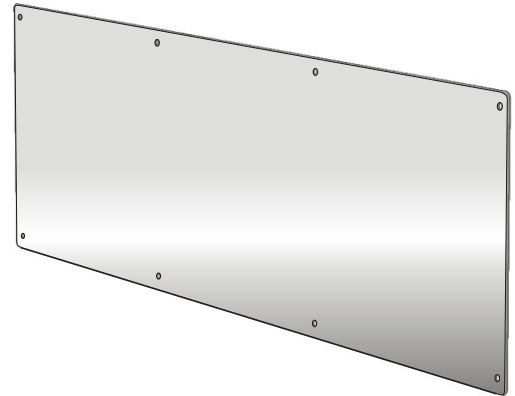




Kick Plate, Stainless Steel

Code 1118: Kick plate, stainless steel, type 304 #4 finish, 10" x 34".
(Other sizes available on special order)

Overall dimensions in inches, cm in brackets.



Front view

3/4 View

Specifications

- Features:**
- All stainless steel (20 ga.) type 304 # 4 finish.
 - Radius corners.
 - Comes with 8 mounting screws to insure even mounting to door.
 - Stainless steel comes with pvc protective film to be removed after installation

Shipping weight: • 3-1/2 lbs. (1.5 kg.), packaged individually.

Installation: Use kick plate as template to mark mounting holes, Mounting screws provided.