

32499

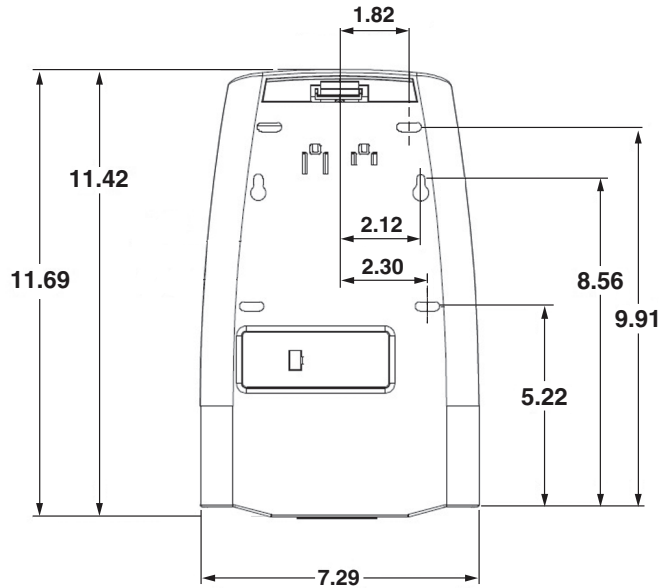
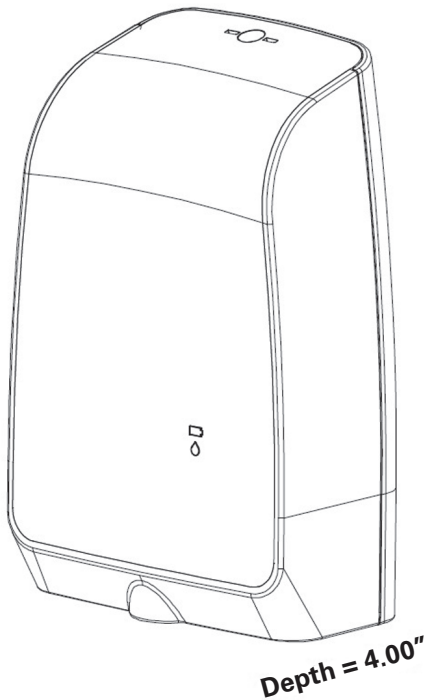
MOD* ELECTRONIC TOUCHLESS CASSETTE SKIN CARE DISPENSER, 1.2 LITER, WHITE

Made of high impact plastic. Housing has a cover with opaque white center and smoked translucent sides with an opaque black back. Automatically dispenses a one shot hand wash volume of soap or sanitizer when user places hand beneath the dispenser. Touchless system helps reduce the spread of dirt and germs. Uses a 1.2 liter recyclable refill. Incorporates low battery and low product lights for easier maintenance. Choice of key or push button opening. Operates on three D size alkaline batteries. One per case.

Suggested mounting height is 10" above counter or other obstruction.

When installed properly, this dispenser meets the ADA Standards for Accessible Design.

NOTE: Unless otherwise noted, suggested mounting height is the distance from the floor to the bottom of the dispenser.



32504

MOD* TOUCH-LESS ELECTRONIC SKIN CARE DISPENSER, 1.2 LITER, BLACK

Made of high impact plastic. Housing has a cover with opaque black center and smoked translucent sides with an opaque black back. Automatically dispenses a one shot hand wash volume of soap or sanitizer when user places hand beneath the dispenser. Touch-less system helps reduce the spread of dirt and germs. Uses a 1.2 liter recyclable refill. Incorporates low battery and low product lights for easier maintenance. Choice of key or push button opening. Operates on three D size alkaline batteries. One per case.

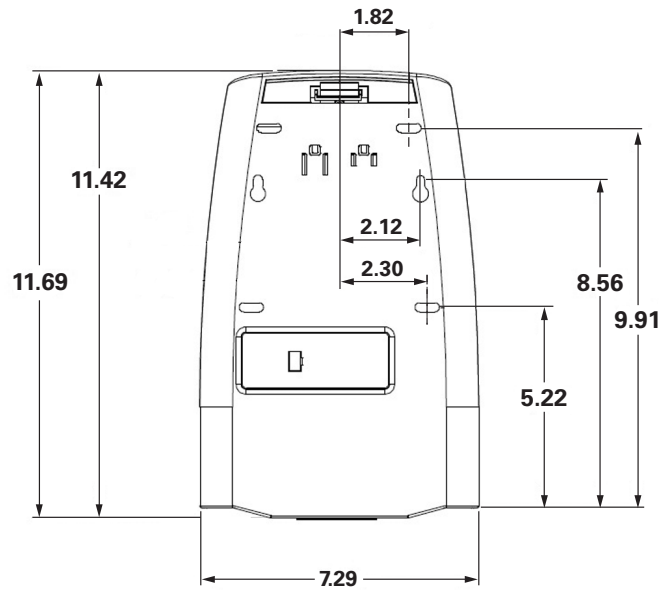
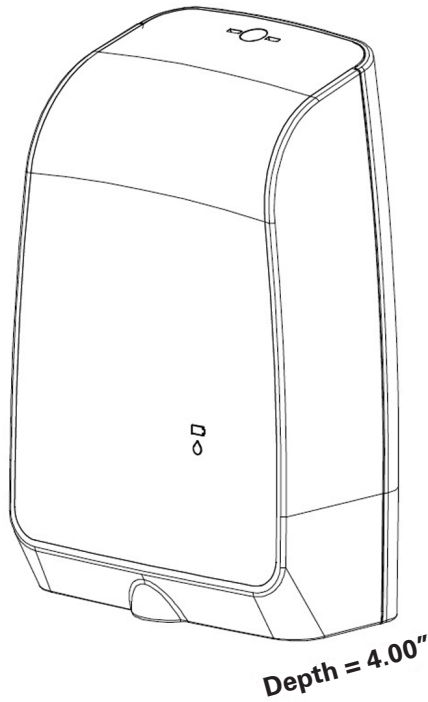
Suggested mounting height is 10" above counter or other obstruction.

When installed properly, this dispenser meets ADA Standard 28 CFR Part 36 (1994).

Product Codes

- 91592 KLEENEX[®] Foam Skin Cleanser with Moisturizers
- 91594 KLEENEX[®] Antibacterial Foam Skin Cleanser
- 91595 KLEENEX[®] E-2 Foam Skin Cleanser
- 91591 KLEENEX[®] Green Certified Foam Skin Cleanser
- 91590 KLEENEX[®] Moisturizing Foam Hand Sanitizer
- 91600 KLEENEX[®] Moisturizing Instant Hand Sanitizer
- 34643 KLEENEX[®] ULTRA* Moisturizing Foam Hand Sanitizer
- 33942 KLEENEX[®] Green Certified Foam Hand Sanitizer
- 12979 KLEENEX[®] Alcohol Free Foam Hand Sanitizer

NOTE: Unless otherwise noted, suggested mounting height is the distance from the floor to the bottom of the dispenser.



32508

MOD* ELECTRONIC TOUCHLESS CASSETTE SKIN CARE DISPENSER, 1.2 LITER, FAUX STAINLESS

Made of high impact plastic. Housing has a cover with faux stainless center and smoked translucent sides with an opaque black back. Automatically dispenses a one shot hand wash volume of soap or sanitizer when user places hand beneath the dispenser. Touchless system helps reduce the spread of dirt and germs. Uses a 1.2 liter recyclable refill. Incorporates low battery and low product lights for easier maintenance. Choice of key or push button opening. Operates on three D size alkaline batteries. One per case.

Suggested mounting height is 10" above counter or other obstruction.

When installed properly this dispenser meets the ADA Standards for Accessible Design, local rules may vary.

NOTE: Unless otherwise noted, suggested mounting height is the distance from the floor to the bottom of the dispenser.