

# K L I M B O

HELPS YOUR KIDS WASH THEIR HANDS



The self-retracting step KLIMBO responds to the little ones' need for independence by giving them easy access to lavatories in public restrooms.

Klimbo demonstrates a concern for young families, promotes hand hygiene and, consequently, public health.

Klimbo represents a clear advantage, both budgetary and organizational, compared to lowered sinks by ensuring an optimal use of the premises by all users, while showing an interest for a family-based clientele.

## PLACES WHERE KLIMBO IS IN DEMAND

- Institutional buildings
  - public libraries
  - multipurpose centres
  - schools
  - daycares
  - sports and recreational facilities
  - museums
  - citizen services
  - stadiums
- Shopping centres
- Movie theatres
- Rest stops and service stations
- Hospitals and clinics
- Hotels
- Amusement and aquatic parks, and zoos
- Restaurants
- Airports, train stations, terminals



ELEGANT

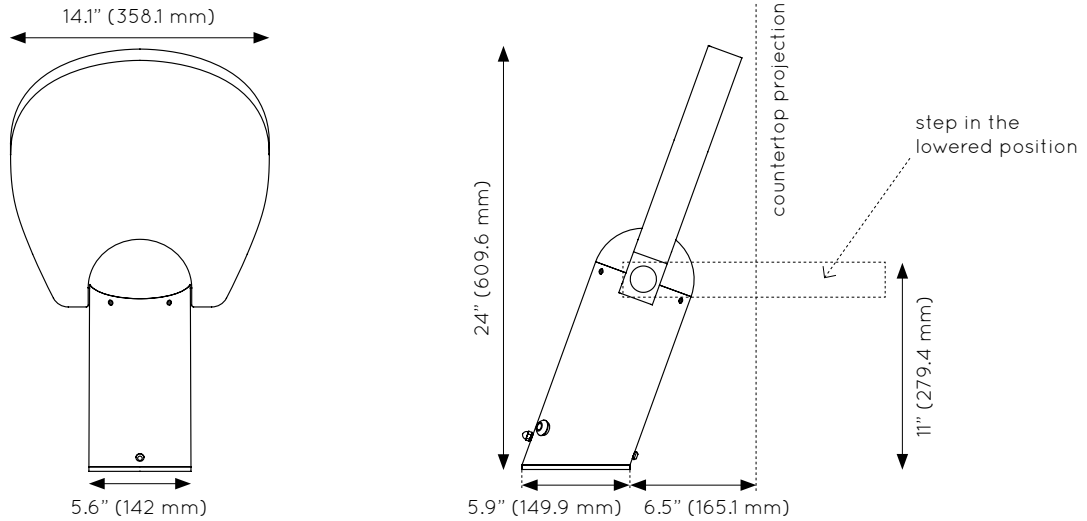


STURDY  
AND SAFE



EASY TO  
MAINTAIN

TECHNICAL SPECIFICATIONS



Materials	
Exterior components	Aluminium T6061 • Axalta polyester thermosetting powder coating • Imbedded adhesive tread, made from recycled tires
Interior components	Steel and aluminum coated with white lithium grease containing PTFE
Load-bearing parts	Tempered steel
Anchors	Fast and easy installation in floor concrete slab • Three steel masonry anchors are provided • Installation guide also available online
Hardware	Blackened 18-8 stainless steel • By special order, available in 316 stainless steel for chlorine-heavy environments like pool changing rooms
Stickers	Signaletic on the step edge • 4" x 6.4" (102 mm x 163 mm) <b>signaletic panels</b> provided in three colours: white, black and brushed metal
Additional information	
Load bearing capacity	370 kg (815 lb)
Warranty	Five years against manufacturing defects and against failure of the retraction mechanism
Customization	By special order, Klimbo can be adapted to the customer's brand and serve as a medium to communicate with its clientele • Available in 190 <b>RAL classic</b> colours and in a wide range of metallic finishes from <b>Axalta Coating Systems</b>
CAD et Revit files	Available on the website <a href="http://www.klimbo.co/en-specification">www.klimbo.co/en-specification</a>
Patent	Patent pending in all territories
Logistical data	
Unit weight	9 kg (20 lb)
Packaged unit	10 kg (22 lb)
Shipping box size	26" x 15" x 7" (710 mm x 380 mm x 180 mm)

Klimbo is manufactured by

DLR inc.  
 P.O. Box 39026, Station Saint-Alexandre  
 Montreal (Qc) H3B 0B2 | Canada  
 questions@klimbo.co | 1 888 205-1168  
[www.klimbo.co](http://www.klimbo.co)

Dealer / distributor

# K L I M B O

SIGNALETIC PANELS — CANADA  
PVC or polyester depending on color



White (PVC)



Black (PVC)



Brushed Metal  
(polyester)

# K L I M B O

SIGNALETIC PANELS — USA  
PVC or polyester depending on color



White (PVC)



Black (PVC)



Brushed Metal  
(polyester)

# K L I M B O

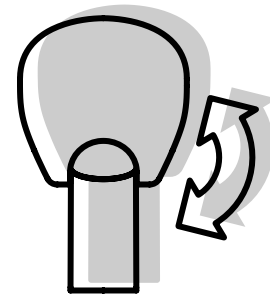
## HELPS YOUR KIDS WASH THEIR HANDS

Klimbo helps children reach the sink and soap in public restrooms. Without Klimbo, parents struggle to lift and hold their child against the sink, splashing water on surfaces and clothes.

Model K01

### SELF-RETRACTING

The step does not hinder an adult or a tall child who wishes to use the sink because it gently flips up to its original position.

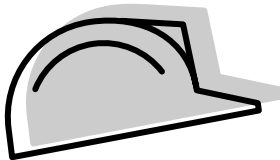
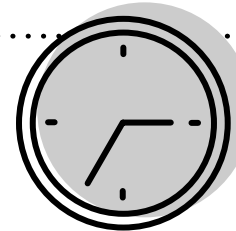


Klimbo is anchored to the floor and can easily support up to 370 kg (815 lb).

### STURDY

### DURABLE

Klimbo has been laboratory tested to over 120,000 cycles under a 36 kg (80 lb) load, i.e. twice the weight of the average user.

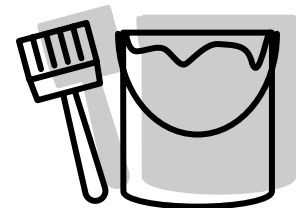


Klimbo is designed without pinch points; due to its mechanism, patented dome and concave step, fingers can't get caught.

### SAFE

### TAILORED TO YOUR BRAND

Klimbo is available in a multitude of colours and finishes and can also be customized to reflect your brand image or to communicate a message.



**OFFER A FAMILY-FRIENDLY CUSTOMER EXPERIENCE, TAKE THE PLUNGE AND CHOOSE KLIMBO!**

**A very practical and very sturdy product that meets our maintenance standards. We are very satisfied with its performance.**

Yasmine Alloul — Building Planning Assistant Manager, Montreal-Trudeau Airport

**It's great, people know right away what it's for.**

Claude Constantin — Building Manager, City of Blainville, Qc

[QUESTIONS@KLIMBO.CO](mailto:QUESTIONS@KLIMBO.CO)