

# Workplace Dispenser

**PRODUCT DESCRIPTION**

Unique range of 1 liter, 2 liter and 4 liter closed, sealed cartridge dispensers that meet the distinct needs of any workplace and public facility environment.


**WHERE TO USE**

For exclusive use with SC Johnson Professional product cartridges to create tailored skin protection and hand hygiene programs.

**METHOD OF USE**

Large, 'easy-push' buttons dispense a controlled dose of product appropriate for the application required. Empty cartridges are easily replaced in seconds.



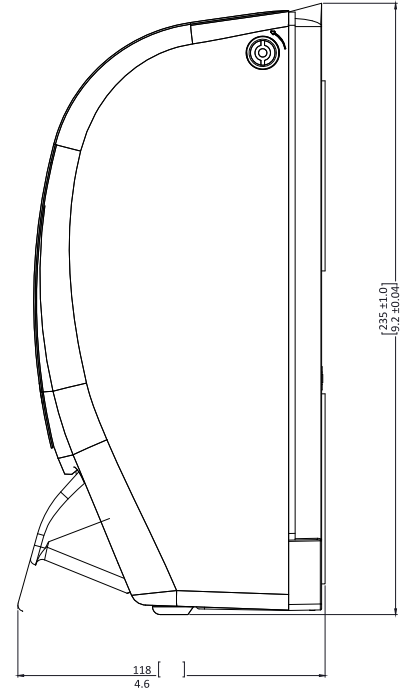
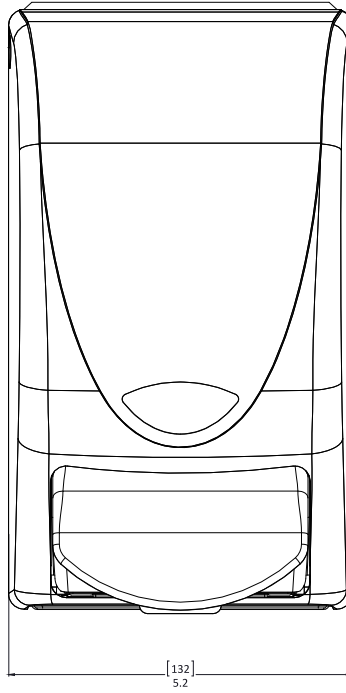
FEATURES	BENEFITS
Guaranteed for Life	Dispensers are manufactured from durable plastic components and rigorously tested for high usage environments, providing assurance of quality and long-term cost efficiency.
Spare Parts Available	In case of vandalism or accidental damage, spare parts can be provided allowing for repairs without having to take the dispenser off the wall.
BioCote® Protected 	Dispenser push buttons are exclusively protected by BioCote®, a silver-based antimicrobial agent that is incorporated into the plastic components at the time of manufacture and inhibits the growth of a broad spectrum of bacteria and molds; BioCote® will not wear-out or rub-off and is effective for the lifetime of the dispenser.
Fixed Product Dose	Delivers the exact amount required, controlling usage and reducing waste.
Hygienic, Airless Cartridges	The ultrasonically sealed cartridge and pump mechanisms prevent the ingress of air into the cartridge during use to help prevent product contamination and ensure 'fresh' product is dispensed every time.
Color Coding	Color coded push button for easy visual identification of product type to encourage correct product usage and compliance.
Usage Illustrations	Simple to understand and language neutral to show best practice method of use; ideal for multinational workforces.
Large Push Button	Allows easy use by hand or elbow; suitable in hygiene sensitive areas.
Unique Locking Mechanism	Helps prevent unauthorized access, pilferage and product contamination.
Sight Glass	Indicates the level of product in the cartridge which helps identify when product needs replacing.
Simple Cartridge Replacement	Designed for exclusive use with SC Johnson Professional product cartridges to be replaced in seconds, reducing maintenance time and costs.
No Waste	The air-tight cartridges are designed to collapse during use ensuring full evacuation of product with no wastage.



# Workplace Dispenser

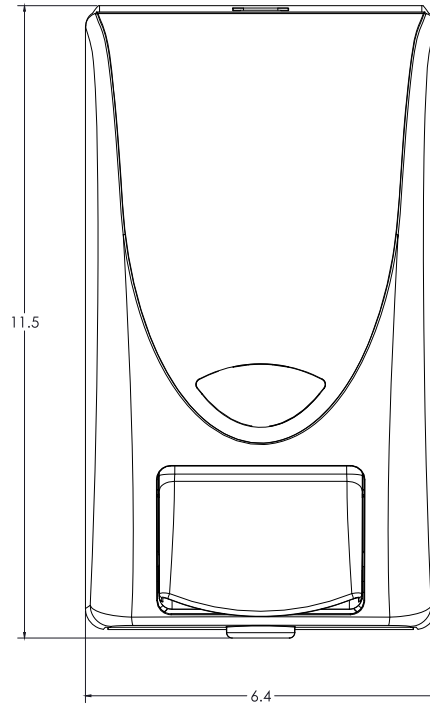
## 1 LITER DISPENSER

PRO1LDS  
SUN1LDS  
WRM1LDS  
ANT1LDS  
SHW1LDS  
SAN1LDS  
IFS1LDS  
RES1LDS



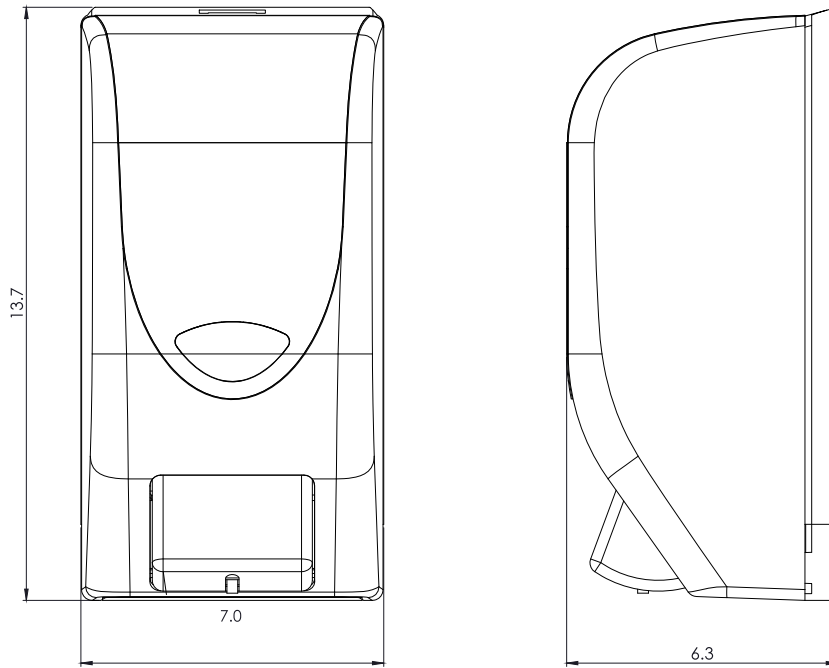
## 2 LITER DISPENSER

WRM2LDP  
ANT2LDP  
SHW2LDP  
HVV2LDB  
ULT2LDB



# Workplace Dispenser

**4 LITER DISPENSER**  
SHW4LDR  
HVY4LDB



## PACK SIZES

STEP	STOCK CODE	DESCRIPTION	COLOR	CARTRIDGE CAPACITY	CASE QTY	DISPENSER SIZE	TO USE WITH
Protect	PRO1LDS	Protect	White	1 Liter	15	9.252 x 4.921 x 4.606	UPW1L, SGP1L, TVC1L, SAQ1L
Protect	SUN1LDS	Sun Protect	White	1 Liter	15	9.252 x 4.921 x 4.606	SUN1L
Cleanse	WRM1LDS	Cleanse Washroom	White	1 Liter	15	9.252 x 4.921 x 4.606	CLR1L, AZU1L, RFW1L, ENGL
Cleanse	WRM2LDP	Cleanse Washroom	White	2 Liter	8	11.378 x 6.378 x 5.472	CLR2LT, AZU2LT, RFW2LT, ENG2LT
Cleanse	ANT1LDS	Cleanse AntiBac	White	1 Liter	15	9.252 x 4.921 x 4.606	ANT1L, AGB1L
Cleanse	ANT2LDP	Cleanse AntiBac	White	2 Liter	8	11.378 x 6.378 x 5.472	ANT2LT, AGB2LT
Cleanse	SHW1LDS	Cleanse Hand & Body	White	1 Liter	15	9.252 x 4.921 x 4.606	HBG1L, HAB1L, CMW1L, PUW1L, LTW1L
Cleanse	SHW2LDP	Cleanse Hand & Body	White	2 Liter	8	11.378 x 6.378 x 5.472	HBG2LT, HAB2LT, CMW2LT, PUW2LT, LTW2LT
Cleanse	SHW4LDR	Cleanse Hand & Body	White	4 Liter	6	13.74 x 7.008 x 6.22	HAB4LTR, PUW4LTR, LTW4LTR
Cleanse	HVY2LDB	Cleanse Heavy	Black	2 Liter	8	11.378 x 6.378 x 5.472	LIM2LT, SOL2LT, O9107, KCL2LT, KCH2LT
Cleanse	HVY4LDB	Cleanse Heavy	Black	4 Liter	6	13.74 x 7.008 x 6.22	LIM4LTR, SOL4LTR, O9104, KCL4LTR, KCH4LTR
Cleanse	ULT2LDB	Cleanse Ultra	Black	2 Liter	8	11.378 x 6.378 x 5.472	KSP2LT
Sanitize	SAN1LDS	Sanitize	White	1 Liter	15	9.252 x 4.921 x 4.606	IFS1L, 56827, 55857, IFC1L
Sanitize	IFS1LDS	InstantFoam	White	1 Liter	15	9.252 x 4.921 x 4.606	IFS1L, 56827, 55857, IFC1L
Restore	RES1LDS	Restore	White	1 Liter	15	9.252 x 4.921 x 4.606	RES1L, SBS1L, SCL1L

SC Johnson Professional  
2815 Coliseum Centre Dr. #600  
Charlotte, North Carolina, 28217  
Telephone: 800 248 7190  
www.scjp.com

This information and all further technical advice is based upon our present knowledge and experience. However, it implies no liability or other legal responsibility on our part, including with regard to existing third party intellectual property rights, especially patent rights. In particular, no warranty, whether express or implied, or guarantee of product properties in the legal sense is intended or implied. We reserve the right to make any changes according to technological progress or further developments.

\* = is a registered trademark of SC Johnson Professional or one of its subsidiaries  
© SC Johnson Professional

**SC Johnson**  
**PROFESSIONAL**  
A family company™